

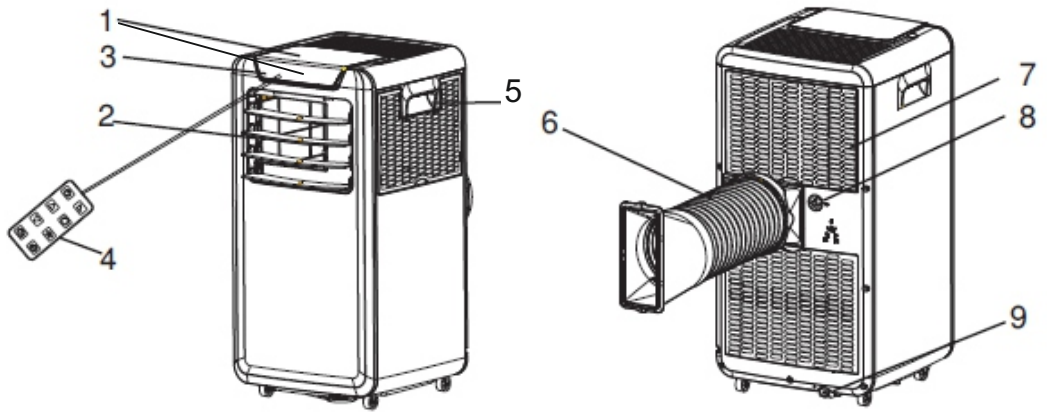
# Camry

— Premium —

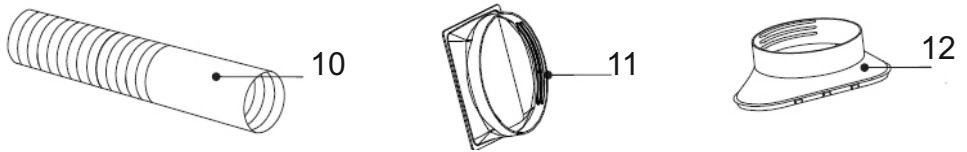


## CR 7912

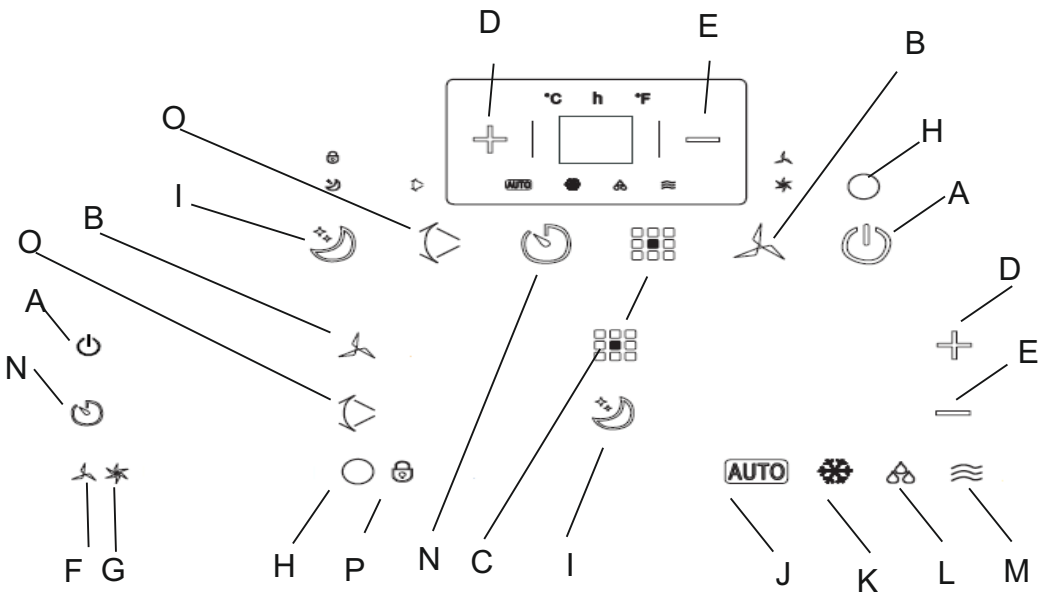
(GB) user manual - 4	(DE) bedienungsanweisung - 10
(FR) mode d'emploi - 17	(ES) manual de uso - 23
(PT) manual de serviço - 29	(LT) naudojimo instrukcija - 36
(LV) lietošanas instrukcija - 41	(EST) kasutusjuhend - 47
(HU) felhasználói kézikönyv - 65	(BS) upute za rad - 59
(RO) Instrucțiunea de deservire - 53	(CZ) návod k obsluze - 100
(RU) инструкция обслуживания - 77	(GR) οδηγίες χρήσεως - 112
(MK) упатство за корисникот - 141	(NL) handleiding - 118
(SL) navodila za uporabo - 95	(FI) manual ng pagtuturo - 71
(PL) instrukcja obsługi - 155	(IT) istruzioni operative - 83
(HR) upute za uporabu - 89	(SV) instruktionsbok - 130
(DK) brugsanvisning - 106	(UA) інструкція з експлуатації - 135
(SR) Корисничко упутство - 124	(SK) Používateľská príručka - 147
(AR) دليل التعليمات - 162	(BG) Инструкция за употреба - 167



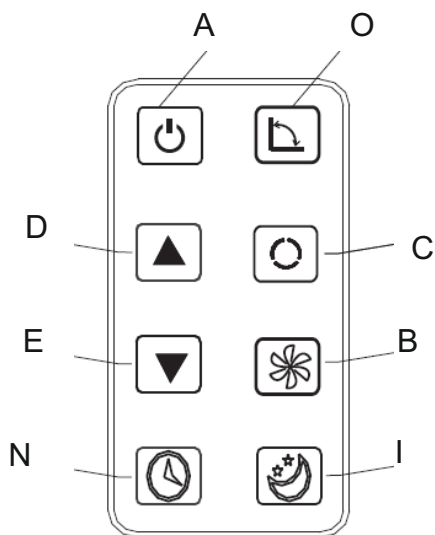
PICTURE A



PICTURE B



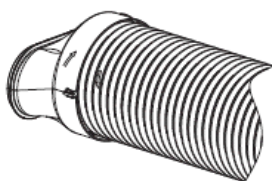
PICTURE C



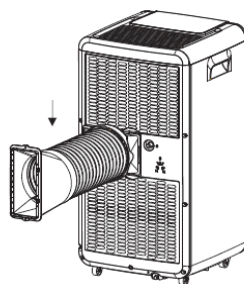
PICTURE D



1.

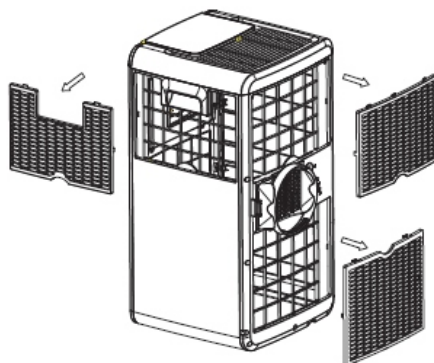


2.



3.

PICTURE E



PICTURE F

SAFETY CONDITIONS. IMPORTANT INSTRUCTIONS ON SAFETY OF USE  
PLEASE READ CAREFULLY AND KEEP FOR FUTURE REFERENCE

1. Before using the device, read the operating manual and follow the instructions contained in it. The manufacturer is not liable for damages caused by using the device contrary to its intended purpose or improper operation.
2. The device is for home use only. Do not use for other purposes that are not for its intended purpose.
3. The device should only be connected to an AC outlet with a grounded 220 240V ~ 50Hz. To increase operational safety, multiple electrical devices should not be connected to one current circuit at the same time.
4. Use extreme caution when using the device when children are nearby. Do not allow children to play with the device, do not allow children or people unfamiliar with the device to use it.
5. **WARNING:** This equipment may be used by children over 8 years of age and people with limited physical, sensory or mental ability, or people who have no experience or knowledge of the equipment, if this is done under the supervision of a person responsible for their safety or have been granted them information on the safe use of the device and are aware of the dangers of using it. Children should not play with the equipment. Cleaning and maintenance of the device should not be performed by children, unless they are over 8 years old and these activities are carried out under supervision.
6. Always disconnect the power plug by holding the socket with your hand after use. **DO NOT** pull on the power cord.
7. Do not immerse the cable, plug and the whole device in water or any other liquid. Do not expose the device to atmospheric conditions (rain, sun, etc.) or use in conditions of high humidity (bathrooms, damp mobile homes).
8. Periodically check the condition of the power cord. If the power cord is damaged, it should be replaced by a specialist repair shop to avoid danger.
9. Do not use the appliance with a damaged power cord or if it has been dropped or damaged in any other way or if it is not working properly. Do not repair the device yourself, as there is a risk of electric shock. Take the damaged device to an appropriate service center for checking or repair. All repairs may only be carried out by authorized service points. Incorrectly performed repairs can cause serious danger for the user.
10. Place the device on a cool, stable surface, away from hot kitchen appliances such as: electric stove, gas burner, etc.
11. Make sure that nothing is blocking the air inlet and outlet of the device
12. Use the device only on a level surface to prevent the condensation from spilling out
13. To provide additional protection, it is advisable to install a residual current device (RCD) in the electric circuit with a rated residual current not exceeding 30mA. Ask an

electrician for this.

14. Clean the air filter regularly. The frequency of cleaning depends on the cleanliness of the air.

15. After turning off the machine, wait at least 5 minutes before turning it back on.

16. Do not use the device in sunny places. When the device overheats, the overheat protection will switch on the device.

17. To ensure effective cooling, a distance of at least 60 cm should be kept between the side walls of the device and the wall or furniture or curtains.

18. Due to the limited performance of the device, if the difference between the target temperature and the ambient temperature is too great, the target temperature may not be reached.

19. To reduce the risk of fire, electric shock or injury when using the air conditioner, observe the following basic precautions:

a) Connect to a grounded outlet with 3 pins.

b) Do not remove the grounding prong.

c) Do not use the adapter.

d) Do not use an extension cord.

e) Disconnect the air conditioner before servicing.

f) Use two or more people to move and install the air conditioner.

20. Do not use agents accelerating the defrosting or cleaning process other than those recommended by the manufacturer.

21. The device should be stored in a room without constantly operating sources of ignition, for example: open fire, gas appliances or electric heaters.

#### BEFORE FIRST USE – (picture E)

Connect the connectors to the air exhaust duct as follows:

1. Extend the air exhaust duct (10) by drawing out the two ends of the duct.
2. Screw the air exhaust duct (10) into the connector of air exhaust duct (11).
3. Connect the connector of air exhaust duct (11) to the device.

#### REMARKS:

1. Keep the unit at least 1 meter away from TV or radios to avoid electromagnetic interference.
2. Do not expose the unit under direct sun light to avoid surface color fading.
3. Do not tilt the unit for more than 35° or upside-down while transporting. If the device has been turned over during transport, put it down correctly and wait 2-4 hours before starting it.
4. Place the unit on a flat surface with less than 5° inclination.
5. The unit operates more efficiently in certain room locations, select the best location:

- Beside a window, a door or a French window.

- Keep the required distance from the return air outlet to the wall or other obstacles at least 60 cm.

- Extend the air hose to ensure that other end of the air hose has clearance between the window door, or French window, or wall hole.

- Air outlet or intake cannot be blocked by protective grid or any obstacle.

To extend the life of the unit, drain the condensed water from the upper (8) and lower (9) cooler drain holes before putting the unit into storage at the end of the season.

## DEVICE DESCRIPTION (pictures A and B)

- |                                   |                            |
|-----------------------------------|----------------------------|
| 1. Control panel                  | 2. Cold air outlet         |
| 3. Signal receptor                | 4. Remote controller       |
| 5. Transport handle               | 6. Exhaust duct            |
| 7. Evaporator inlet               | 8. Upper cooler drain hole |
| 9. Down cooler drain hole         | 10. Air exhaust duct       |
| 11. Connector of air exhaust duct | 12. Window exhaust adapter |

## CONTROL PANEL (picture C)

- |                                    |                                  |
|------------------------------------|----------------------------------|
| A. Power button ON/OFF             | B. Fan speed button              |
| C. Mode button                     | D. Timer / Temperature up button |
| E. Timer / Temperature down button | F. Low speed button              |
| G. High speed button               | H. Power indicator               |
| I. Sleep button and child lock     | J. Automatic mode                |
| K. Cool mode                       | L. Dehumidify mode               |
| M. Fan mode                        | N. Timer button                  |
| O. Oscillation button              | P. Child lock                    |

## REMOTE CONTROLLER – picture D

The remote controller transmits signals to the system.

Button "A" - the appliance will be started when it is energized or will be stopped when it is in operation, if you press this button.

Button "C" - press it to select operation mode: "J", "K", "L" or "M".

Button "B" - press it to select fan speed in sequence.

Button "D" / "E" - press to adjust the room temperature and the timer.

Button "I" - press to set or cancel sleep mode.

Button "N" - press to set the time of automatic off and automatic on.

Button "O" - press to set or cancel louvers swing mode.

## OPERATION OF THE CONTROL PANEL

### AUTOMATIC / COOL / DRY / FAN

1. Turn on the device.
  - a) Connect the device and then the device beeps once. The "H" power light is on.
  - b) Press the "A" button, then the device will turn on.
  - c) LED diode displays room temperature and starts working in automatic mode.

### 2. Choose the operating mode

Press the "C" button to select the desired mode of operation by sequence:

Automatic mode "J" -> Cooling mode "K" -> Drying mode "L" -> Fan mode "M"

### 3. Adjust temperature

The temperature can be set within a range 15°-31°C. Press "D" or "E" button to increase or decrease the temperature by 1°C by pressing once. The device LED panel shows the target temperature for 5 seconds and then displays the room temperature.

### 4. Adjust fan speed

Press the button "B" to select a desired fan speed shows by sequence:

Low speed "F" -> High speed G

### 5. Power

When you press the "A" button again, the device will sound "di", the power indicator "H" goes out and stop working.

6. Press this button "I" to enter the sleep mode of device.

7. Press this button "N" to set a timed shutdown.

8. Press this button "O" to set air swing oscillation up-down.

Each mode working principle:

AUTO "J" mode:

Once the "J", operation is selected, the indoor temperature sensor operates automatically and it selects one of below operation modes:

- When the room temperature  $\geq 24$  the unit will automatically select cool mode "K" mode.

or

- When the room temperature  $< 24$  , the unit will automatically select high fan speed mode "M..".

Dehumidify "L" mode:

1. The up centrifugal fan will run at low speed, and the speed can't be adjusted.

2. The compressor will stop after running 8 minutes, then run again after 6 minutes

3. The device adopts constant temperature dehumidifying mode, and the adjustment of temperature is no effective.

WARNING:

When operating the device in conditions of varying humidity, the down cooler drain hole (9) should be constantly open and ensure constant water drainage.

COOL "K" mode:

1. When the room temperature is higher than set temperature on control panel, the compressor starts to run.

2. When the room temperature is lower than set temperature on control panel, the compressor stop and upper fan operates at original set speed.

Fan "M" mode.

1. The up centrifugal fan runs at set speed, and the compressor does not run.

2. The adjustment of temperature is no effective.

Timer operation "N":

1. Press "N" button to set Automatic Off time while the unit is running.

2. Press "N" button to set Automatic On time while the unit is ready.

3. The time can be adjusted within a range of 1 hour to 24 hours by pressing the button "D" ( + ) or "E" ( - ) .

Sleep mode "I" operation & child lock function:

1. The sleep mode operations when the unit is under cooling "K" mode.

2. Press the button "I" in cool mode "K", then the unit will work under sleep mode and the up centrifugal fan will turn to low speed automatically. The set temperature will increase by 1 after one hour, and increase 2 after two hours. After six hours the unit will stop running.

3. Press child lock button "I" for three seconds to make all the other functions not be able to use. Press for 3 seconds again will unlock the child lock function meanwhile all the other functions will be able to use again.

Swing "O" mode operation:

When the device is on, press button "O", the vertical louver will on or off. When it is on, the louver can swing back and forth within 60 degree. Press the button "O" again, the louver will stop swinging.

Notice:

The main control board has memory function, when the device is ready to run but in stop status, the main control board can memorize the

initialization of working mode. When you turn on the unit, it will work as the same enactment of working-mode as last time, no need to reset the working mode again. (This condition is not available when the unit is under AUTO mode "J".)

## REMOTE CONTROLLER

1. Slide the back cover to open and take off the isolating film on the batteries.
2. Put the batteries inside the slot, must be corresponding to the signs of "+" and "-" on the remote control.
3. For long time no use, take out the batteries.
4. To prevent environmental pollution, take out the used batteries and dispose safety and appropriately.

To operate the device, aim the remote controller (..) at the signal receptor. The remote controller will operate the device at distance 5 meters when pointing at signal receptor of the device.

## PROTECTIVE DEVICES

The protective device may trip and stop the appliance in the cases listed below:

1. at cooling mode: indoor air temperature is over 43°C (109°F)
2. at cooling mode: room temperature is below 15°C (59°F)
3. at dehumidifying mode: room temperature is below 15°C (59°F).

If the device runs in cooling "K" or dehumidify "L" mode with door or window opened for a long time when relative humidity is above 80%, dew may drip down from the outlet.

The protective device will work in the following cases:

1. Restarting the device immediately after stopping work or changing the selected mode while working, you must wait 3 minutes.
2. If the plug has been removed, after restarting the device will return to the original mode, TIMER ON and TIMER OFF - must be set again.

REMARK: there is condensing water recycling hidden within this unit. The condensing water is partly kept recycling between the condenser and the water plate. When the water level rises to the upper level, the float switch and water full indicator (E4) lights on to remind draining water. Please cut off the power supply, move the appliance to a suitable place, remove the drain plug, drain water completely. After the drain, re-install the plug, or the appliance may leak and make your room wet.

If the appliance is placed in a position admitting drain water, you also can connect the drain hole to the drain port to drain the water. Drain pipe is added to kit, with inner diameter 9mm, outer diameter 12mm, material: PVC.

## Troubleshooting

1) Trouble: Do not work.

Analysis:

- a) maybe the protector trip or fuse is blown, please wait for 3 minutes and start again, protector device may be preventing device from working.
- c) maybe batteries in the remote controller are exhausted.
- d) maybe the plug is not properly plugged in.

2) Trouble: works for a short time only

Analysis:

- a) if the set temperature is close to room temperature, you can lower the set temperature.
- b) maybe air outlet is blocked by obstacle. Take the obstacle away.

3) Trouble: Works but not cools

Analysis:

- a) maybe door or window are open.
- b) maybe in close distance there is another appliance heat-working like heater or lamp, etc.
- c) the air filter is dirty, please clean it.
- d) air outlet or intake is blocked.



f) set temperature is too high.

4) Trouble: Water leak during moving.

Analysis:

a) drain the condensate before moving.

b) to avoid water leakage, please locate the device on flat ground.

5) Trouble: Do not work and water full indicator "E4"

Analysis:

a) pull out rubber plug to drain water.

b) if it is often in this state, please contact qualified service technical.

Troubleshooting

6) Trouble: Device fails to start up.

Analysis:

a) maybe not plugged. So, plug in it.

b) maybe plug or socket damages. Replace by service provider.

c) maybe fuse broken. Replace the fuse by service provider (specification: 3,15A/250VAC).

7) Trouble: Device automatically stops.

Analysis:

a) timing shut down or set temperature reached. Restart it or wait for auto-switch.

8) Trouble: no cold air under COOL "K" mode.

Analysis:

a) room temperature is lower than set temperature. It is a normal phenomenon, the machine will auto-switch while the room temperature is higher than the set temperature.

b) Device enters into anti-frost protection. The device will auto switch after anti-frost protection is over.

9) Trouble: LED displays failure code "E2"

Analysis:

a) room temperature sensor fails or damages. Replace the room temperature sensor by service provider.

10) Trouble: LED displays failure code "E3"

Analysis:

a) the evaporator oil pipe sensor fails or damaged. Replace the evaporator coil pipe sensor by service provider.

11) Trouble: LED displays failure code "E4"

Analysis:

a) water-full warning. Drain out the water.

## CLEANING AND MAINTENANCE

Device maintenance

1. Turn off the device first before disconnecting from power supply.

2. Wipe with a soft and dry cloth. Use lukewarm water below 40C to clean if the appliance is very dirty.

3. Never use volatile substance such as gasoline or polishing powder to clean the device.

Air filter maintenance

It is necessary to clean the air filter every 2 weeks if the device operates in an extremely dusty environment. Clean as follows:

1. Stop the device first, push up the air filter (Picture F).

2. Clean and reinstall the air filter.

3. If the dirt is conspicuous, wash it with a solution of detergent in lukewarm water. After cleaning dry it in a shaded and cool place, then reinstall it.

Maintenance after using

1. If the device will not use for longer time, be sure to pull out the rubber plug of upper cooler drain hole (8) and the rubber plug down cooler drain hole (9) of the drain port, in order to drain the water.

2. Keep the appliance running with fan only for a half day during a sunny day to dry the appliance inside and prevent from going mouldy.
3. Stop the device and pull out the power cord plug, then take out the batteries of remote controller and store device properly.
4. Clean the air filter and reinstall it.
5. Remove the air hoses and store them properly, and cover the hole tightly.

#### TECHNICAL DATA:

Cooling capacity at BTU: 9000 BTU / hour

Cooling capacity in watts: 2600

Energy consumption (cooling) W: 950 W

Volume: <= 65dB

Air flow: 380 m<sup>3</sup> / h

Energy class: A

Timer: 24 hours

R290 coolant weight: max. 200 grams



Caution, risk of fire.  
Do NOT pierce or burn.  
Be aware that the refrigerant may not contain an odour.  
The maximum refrigerant charge amount: 200g.



To protect your environment: please separate carton boxes and plastic bags and dispose them in corresponding waste bins. Used appliance should be delivered to the dedicated collecting points due to hazardous components, which may affect the environment. Do not dispose this appliance in the common waste bin.

## DEUTSCH

### ALLGEMEINE SICHERHEITSVORSCHRIFTEN WICHTIGE SICHERHEITSHINWEISE SORGFÄLTIG DURCHLESEN UND FÜR DIE ZUKUNFT AUFBEWAHREN

1. Lesen Sie vor dem Gebrauch des Geräts die Bedienungsanleitung und befolgen Sie die darin enthaltenen Anweisungen. Der Hersteller haftet nicht für Schäden, die durch nicht bestimmungsgemäßen Gebrauch oder unsachgemäßen Betrieb des Gerätes verursacht werden.
2. Das Gerät ist nur für den Heimgebrauch bestimmt. Verwenden Sie es nicht für andere Zwecke, die nicht für den vorgesehenen Zweck bestimmt sind.
3. Das Gerät darf nur an eine Netzsteckdose mit 220-240 V ~ 50 Hz angeschlossen werden. Um die Betriebssicherheit zu erhöhen, sollten nicht mehrere elektrische Geräte gleichzeitig an einen Stromkreis angeschlossen werden.
4. Seien Sie äußerst vorsichtig, wenn Sie das Gerät in der Nähe von Kindern verwenden. Erlauben Sie Kindern nicht, mit dem Gerät zu spielen. Erlauben Sie Kindern oder Personen, die mit dem Gerät nicht vertraut sind, nicht, es zu benutzen.
5. **WARNUNG:** Dieses Gerät darf von Kindern über 8 Jahren und Personen mit eingeschränkten körperlichen, sensorischen oder geistigen Fähigkeiten oder Personen ohne Erfahrung oder Kenntnis des Geräts verwendet werden, wenn dies unter Aufsicht einer verantwortlichen Person erfolgt zu ihrer Sicherheit oder ihnen wurden Informationen über den sicheren Gebrauch des Geräts erteilt, und sie sind sich der Gefahren bei der Verwendung des Geräts bewusst. Kinder sollten nicht mit dem Gerät spielen. Die Reinigung und Wartung des Geräts darf nur von Kindern durchgeführt werden, die älter als 8 Jahre sind und diese Tätigkeiten unter Aufsicht ausführen.

6. Ziehen Sie nach dem Gebrauch immer den Netzstecker, indem Sie die Steckdose mit der Hand festhalten. NICHT am Netzkabel ziehen.
7. Tauchen Sie das Kabel, den Stecker und das gesamte Gerät nicht in Wasser oder andere Flüssigkeiten. Setzen Sie das Gerät keinen atmosphärischen Bedingungen aus (Regen, Sonne usw.) und verwenden Sie es nicht bei hoher Luftfeuchtigkeit (Badezimmer, feuchte Mobilheime).
8. Überprüfen Sie regelmäßig den Zustand des Netzkabels. Wenn das Netzkabel beschädigt ist, sollte es von einer Fachwerkstatt ausgetauscht werden, um Gefahren zu vermeiden.
9. Verwenden Sie das Gerät nicht mit einem beschädigten Netzkabel oder wenn es fallen gelassen oder auf andere Weise beschädigt wurde oder wenn es nicht richtig funktioniert. Reparieren Sie das Gerät nicht selbst, da die Gefahr eines Stromschlags besteht. Bringen Sie das beschädigte Gerät zur Überprüfung oder Reparatur zu einem geeigneten Servicecenter. Alle Reparaturen dürfen nur von autorisierten Servicestellen durchgeführt werden. Durch unsachgemäße Reparaturen können ernsthafte Gefahren für den Benutzer entstehen.
10. Stellen Sie das Gerät auf eine kühle, stabile Oberfläche, entfernt von heißen Küchengeräten wie Elektroherd, Gasbrenner usw..
11. Stellen Sie sicher, dass nichts den Lufteinlass und -auslass des Geräts blockiert
12. Verwenden Sie das Gerät nur auf einer ebenen Fläche, damit kein Kondenswasser austreten kann
13. Um einen zusätzlichen Schutz zu gewährleisten, wird empfohlen, im Stromkreis einen Fehlerstromschutzschalter (RCD) mit einem Bemessungsfehlerstrom von nicht mehr als 30 mA zu installieren. Bitten Sie einen Elektriker darum.
14. Reinigen Sie den Luftfilter regelmäßig. Die Häufigkeit der Reinigung hängt von der Luftreinheit ab.
15. Warten Sie nach dem Ausschalten des Geräts mindestens 5 Minuten, bevor Sie es wieder einschalten.
16. Verwenden Sie das Gerät nicht an sonnigen Orten. Wenn das Gerät überhitzt, schaltet der Überhitzungsschutz das Gerät ein.
17. Um eine effektive Kühlung zu gewährleisten, sollte ein Abstand von mindestens 60 cm zwischen den Seitenwänden des Geräts und der Wand oder den Möbeln oder Vorhängen eingehalten werden.
18. Aufgrund der eingeschränkten Leistung des Geräts wird die Zieltemperatur möglicherweise nicht erreicht, wenn der Unterschied zwischen der Zieltemperatur und der Umgebungstemperatur zu groß ist.
19. Beachten Sie die folgenden grundlegenden Vorsichtsmaßnahmen, um die Gefahr von Bränden, Stromschlägen oder Verletzungen bei der Verwendung der Klimaanlage zu verringern:
  - a) An eine geerdete Steckdose mit 3 Stiften anschließen.
  - b) Entfernen Sie nicht den Erdungsstift.
  - c) Verwenden Sie den Adapter nicht.

- d) Verwenden Sie kein Verlängerungskabel.
- e) Trennen Sie die Klimaanlage vor Wartungsarbeiten vom Stromnetz.
- f) Verwenden Sie zwei oder mehr Personen, um die Klimaanlage zu bewegen und zu installieren.

20. Verwenden Sie keine anderen Mittel, die den Auftau- oder Reinigungsprozess beschleunigen, als die vom Hersteller empfohlenen.

21. Das Gerät sollte in einem Raum ohne ständig in Betrieb befindliche Zündquellen gelagert werden, zum Beispiel: offenes Feuer, Gasgeräte oder elektrische Heizungen.

**VOR DEM ERSTEN GEBRAUCH - (Bild E)**

Verbinden Sie die Anschlüsse wie folgt mit dem Abluftkanal:

1. Den Luftauslasskanal (10) verlängern, indem Sie die beiden Enden des Kanals herausziehen.
2. Luftaustrittskanal (10) in den Anschluss des Luftaustrittskanals (11) einschrauben.
3. Verbinden Sie den Stecker des Abluftkanals (11) mit dem Gerät.

**BEMERKUNGEN:**

1. Halten Sie das Gerät mindestens 1 Meter von Fernsehgeräten oder Radios entfernt, um elektromagnetische Störungen zu vermeiden.
  2. Setzen Sie das Gerät keinem direkten Sonnenlicht aus, um ein Ausbleichen der Oberflächenfarbe zu vermeiden.
  3. Kippen Sie das Gerät während des Transports nicht mehr als 35 ° oder auf den Kopf. Wenn das Gerät während des Transports umgedreht wurde, legen Sie es ordnungsgemäß ab und warten Sie 2-4 Stunden, bevor Sie es starten.
  4. Stellen Sie das Gerät auf eine ebene Fläche mit einer Neigung von weniger als 5 °.
  5. Das Gerät arbeitet in bestimmten Räumen effizienter. Wählen Sie den besten Standort aus:
    - Neben einem Fenster, einer Tür oder einem französischen Fenster.
    - Halten Sie den erforderlichen Abstand vom Rückluftauslass zur Wand oder anderen Hindernissen mindestens 60 cm ein.
    - Ziehen Sie den Luftschlauch heraus, um sicherzustellen, dass das andere Ende des Luftschlauchs zwischen der Fenstertür, der Fenstertür oder der Wandöffnung Platz hat.
    - Der Luftaustritt oder -eintritt kann nicht durch ein Schutzgitter oder ein Hindernis blockiert werden.
- Um die Lebensdauer des Geräts zu verlängern, lassen Sie das Kondenswasser aus den oberen (8) und unteren (9) Ablassöffnungen des Kühlers ab, bevor Sie das Gerät am Ende der Saison einlagern.

**GERÄTEBESCHREIBUNG (Bilder A und B)**

- |                                     |                            |
|-------------------------------------|----------------------------|
| 1. Bedienfeld                       | 2. Kaltluftaustritt        |
| 3. Signalempfänger                  | 4. Fernbedienung           |
| 5. Transportgriff                   | 6. Abluftkanal             |
| 7. Verdampferzulauf                 | 8. Oberes Kühlerablassloch |
| 9. Kühlerablassöffnung nach unten.  | 10. Abluftkanal            |
| 11. Anschluss des Luftauslasskanals | 12. Fensterauslassadapter  |

**BEDIENFELD (Bild C)**

- |                                    |                                      |
|------------------------------------|--------------------------------------|
| A. Ein- / Ausschalter              | B. Lüftergeschwindigkeitstaste       |
| C. Modustaste                      | D. Timer- / Temperatur-Aufwärtstaste |
| E. Timer / Temperatur-Abwärtstaste | F. Niedrige Geschwindigkeitstaste    |
| G. Hochgeschwindigkeitstaste       | H. Betriebsanzeige                   |
| I. Sleep-Taste und Kindersicherung | J. Automatikmodus                    |
| K. Kühlmodus                       | L. Entfeuchtungsmodus                |
| M. Lüftermodus                     | N. Timer-Taste                       |
| O. Schwingtaste                    | P... Kindersicherung                 |

**FERNBEDIENUNG - Bild D**

Die Fernbedienung überträgt Signale an das System.

Taste "A" - Wenn Sie diese Taste drücken, wird das Gerät gestartet, wenn es mit Strom versorgt wird, oder es wird angehalten, wenn es in Betrieb ist.

Taste "C" - drücken Sie diese Taste, um den Betriebsmodus auszuwählen: "J", "K", "L" oder "M".

Taste "B" - drücken Sie diese Taste, um die Lüftergeschwindigkeit der Reihe nach auszuwählen.

Taste "D" / "E" - drücken, um die Raumtemperatur und den Timer einzustellen.

Taste "I" - drücken, um den Schlafmodus zu aktivieren oder zu deaktivieren.

Taste "N" - drücken, um die Zeit für das automatische Aus- und Einschalten einzustellen.

Taste "O" - drücken, um den Luftklappen-Schwenkmodus einzustellen oder zu beenden.

## BEDIENUNG DES BEDIENFELDES AUTOMATIK / KÜHL / TROCKEN / LÜFTER

1. Schalten Sie das Gerät ein.

- a) Schließen Sie das Gerät an und das Gerät piept einmal. Die Betriebsanzeige "H" leuchtet.
- b) Drücken Sie die Taste "A", um das Gerät einzuschalten.
- c) Die LED-Diode zeigt die Raumtemperatur an und beginnt im automatischen Modus zu arbeiten.

2. Wählen Sie die Betriebsart

Drücken Sie die Taste "C", um die gewünschte Betriebsart nach Reihenfolge auszuwählen:  
Automatikbetrieb "J" -> Kühlbetrieb "K" -> Trocknungsbetrieb "L" -> Lüfterbetrieb "M."

3. Passen Sie die Temperatur an

Die Temperatur kann zwischen 15 und 31 ° C eingestellt werden. Drücken Sie die Taste "D" oder "E", um die Temperatur durch einmaliges Drücken um 1 ° C zu erhöhen oder zu verringern. Das LED-Feld des Geräts zeigt 5 Sekunden lang die Zieltemperatur und dann die Raumtemperatur an.

4. Passen Sie die Lüftergeschwindigkeit an

Drücken Sie die Taste "B", um die gewünschte Lüftergeschwindigkeit auszuwählen.  
Niedrige Geschwindigkeit "F" -> hohe Geschwindigkeit "G"

5. Leistung

Wenn Sie die Taste "A" erneut drücken, ertönt der Signalton "di", die Betriebsanzeige "H" erlischt und funktioniert nicht mehr.

6. Drücken Sie diese Taste "I", um den Ruhemodus des Geräts aufzurufen.

7. Drücken Sie diese Taste "N", um ein zeitgesteuertes Herunterfahren einzustellen.

8. Drücken Sie diese Taste "O", um die Luftpendelschwingung nach oben und unten einzustellen.

Jeder modus arbeitsprinzip:

AUTO "J" -Modus:

- Sobald der "J" -Betrieb ausgewählt ist, arbeitet der Innentempersensur automatisch und wählt einen der folgenden Betriebsmodi aus:
  - Wenn die Raumtemperatur  $\geq 24$  ° C ist, wählt das Gerät automatisch den Kühlmodus "K".
  - oder
  - Bei Raumtemperatur (24 ° C) wählt das Gerät automatisch den Modus "M" für hohe Lüftergeschwindigkeit.

Entfeuchten "L" -Modus:

- 1. Der Up-Radialventilator läuft mit niedriger Drehzahl und die Drehzahl kann nicht eingestellt werden.
- 2. Der Kompressor stoppt nach 8 Minuten und läuft nach 6 Minuten erneut.
- 3. Das Gerät nimmt den Entfeuchtungsmodus mit konstanter Temperatur an, und die Einstellung der Temperatur ist nicht wirksam.

WARNUNG:

Wenn das Gerät bei wechselnder Luftfeuchtigkeit betrieben wird, muss die Ablassöffnung des Daunenkühlers (9) ständig offen sein und für einen konstanten Wasserablauf sorgen.

KÜHLER "K" -Modus:

- 1. Wenn die Raumtemperatur über der am Bedienfeld eingestellten Temperatur liegt, läuft der Kompressor an.
- 2. Wenn die Raumtemperatur unter der am Bedienfeld eingestellten Temperatur liegt, werden der Kompressor und der obere Lüfter mit der ursprünglich eingestellten Drehzahl betrieben.

Lüfter "M..." -Modus.

- 1. Der Up-Radialventilator läuft mit der eingestellten Drehzahl und der Kompressor läuft nicht.
- 2. Die Einstellung der Temperatur ist nicht wirksam.

Timer-Betrieb "N":

1. Drücken Sie die Taste "N", um die automatische Ausschaltzeit einzustellen, während das Gerät läuft.
2. Drücken Sie die Taste "N", um die automatische Einschaltzeit einzustellen, während das Gerät betriebsbereit ist.
3. Die Zeit kann durch Drücken der Taste "D" ( + ) oder "E" ( - ) in einem Bereich von 1 Stunde bis 24 Stunden eingestellt werden.

Schlafmodus "I" -Betrieb und Kindersicherungsfunktion:

1. Der Schlafmodus wird ausgeführt, wenn sich das Gerät im Kühlmodus "K" befindet.
2. Drücken Sie die Taste "I" im Kühlmodus "K", dann arbeitet das Gerät im Ruhemodus und der Aufwärts-Radialventilator dreht sich automatisch auf niedrige Geschwindigkeit. Die eingestellte Temperatur erhöht sich nach einer Stunde um 1 °C und nach zwei Stunden um 2 °C. Nach sechs Stunden hört das Gerät auf zu laufen.
3. Drücken Sie die Kindersicherungstaste "I" drei Sekunden lang, damit alle anderen Funktionen nicht verwendet werden können. Nochmaliges Drücken von 3 Sekunden entsperrt die Kindersicherung, während alle anderen Funktionen wieder verwendet werden können.

Swing "O" -Modus-Betrieb:

Wenn das Gerät eingeschaltet ist, drücken Sie die Taste "O", um die vertikale Jalousie ein- oder auszuschalten. Wenn es eingeschaltet ist, kann die Luftklappe innerhalb von 60 Grad vor und zurück geschwenkt werden. Drücken Sie die Taste "O" erneut, die Jalousie hört auf zu schwingen.

Beachten:

Die Hauptsteuerkarte hat eine Speicherfunktion, wenn das Gerät betriebsbereit ist, sich jedoch im Stoppzustand befindet, kann die Hauptsteuerkarte die Initialisierung des Arbeitsmodus speichern. Wenn Sie das Gerät einschalten, wird der gleiche Arbeitsmodus wie beim letzten Mal aktiviert, und es ist nicht erforderlich, den Arbeitsmodus erneut zurückzusetzen. (Diese Bedingung ist nicht verfügbar, wenn sich das Gerät im AUTO-Modus "J" befindet.)

## FERNBEDIENUNG

1. Schieben Sie die hintere Abdeckung zum Öffnen und entfernen Sie den Isolierfilm von den Batterien.
2. Legen Sie die Batterien in das Fach ein und achten Sie darauf, dass sie den Zeichen "+" und "-" auf der Fernbedienung entsprechen.
3. Nehmen Sie die Batterien heraus, wenn Sie sie längere Zeit nicht benutzen.
4. Um Umweltverschmutzung zu vermeiden, nehmen Sie die verbrauchten Batterien heraus und entsorgen Sie sie ordnungsgemäß.

Richten Sie die Fernbedienung (..) auf den Signalempfänger, um das Gerät zu bedienen. Die Fernbedienung bedient das Gerät in einer Entfernung von 5 Metern, wenn Sie auf den Signalempfänger des Geräts zeigen.

## SCHUTZVORRICHTUNGEN

Die Schutzeinrichtung kann in folgenden Fällen auslösen und das Gerät stoppen:

1. Im Kühlmodus: Die Innenraumlufttemperatur liegt über 43 ° C.
2. im Kühlmodus: Raumtemperatur liegt unter 15 ° C (59 ° F)
3. im Entfeuchtungsmodus: Die Raumtemperatur liegt unter 15 ° C (59 ° F).

Wenn das Gerät im Kühlmodus „K“ oder im Entfeuchtungsmodus „L“ betrieben wird und die Tür oder das Fenster für längere Zeit geöffnet sind und die relative Luftfeuchtigkeit über 80% liegt, kann Tau aus dem Auslass tropfen.

Die Schutzeinrichtung funktioniert in folgenden Fällen:

1. Starten Sie das Gerät sofort neu, nachdem Sie die Arbeit unterbrochen oder den ausgewählten Modus während der Arbeit geändert haben. Warten Sie 3 Minuten.
2. Wenn der Stecker abgezogen wurde und das Gerät nach dem Neustart in den ursprünglichen Modus zurückkehrt, müssen TIMER ON und TIMER OFF - erneut eingestellt werden.

BEMERKUNG: In diesem Gerät ist das Recycling von Kondensatwasser verborgen. Das Kondenswasser wird

teilweise zwischen dem Kondensator und der Wasserplatte recycelt. Wenn der Wasserstand auf den oberen Stand ansteigt, leuchten der Schwimmerschalter und die Wasserfüllanzeige (E4) auf, um das Ablassen des Wassers zu erinnern. Bitte unterbrechen Sie die Stromversorgung, bringen Sie das Gerät an einen geeigneten Ort, entfernen Sie die Ablassschraube und lassen Sie das Wasser vollständig ab. Installieren Sie den Stecker nach dem Ablassen wieder, da das Gerät sonst auslaufen und Ihr Zimmer nass werden kann.

Wenn sich das Gerät in einer Position befindet, in der Abwasser austritt, können Sie auch die Ablassöffnung mit dem Ablassanschluss verbinden, um das Wasser abzulassen. Abflussrohr wird dem Bausatz hinzugefügt, mit Innendurchmesser 9 mm, Außendurchmesser 12 mm, Material: PVC.

Fehlerbehebung

1) Problem: Nicht arbeiten.

Analyse:

a) Möglicherweise ist der Schutzschalter oder die Sicherung durchgebrannt. Warten Sie 3 Minuten und starten Sie dann erneut. Möglicherweise verhindert das Schutzgerät, dass das Gerät funktioniert.

c) Möglicherweise sind die Batterien in der Fernbedienung erschöpft.

d) Möglicherweise ist der Stecker nicht richtig eingesteckt.

2) Problem: Funktioniert nur für kurze Zeit

Analyse:

a) Wenn die eingestellte Temperatur in der Nähe der Raumtemperatur liegt, können Sie die eingestellte Temperatur senken.

b) Möglicherweise ist der Luftaustritt durch ein Hindernis blockiert. Nimm das Hindernis weg.

3) Problem: Funktioniert, kühlt aber nicht

Analyse:

a) Vielleicht sind Tür oder Fenster offen.

b) In unmittelbarer Nähe befindet sich möglicherweise ein anderes Gerät, das wärmetechnisch arbeitet, z. B. eine Heizung oder eine Lampe.

c) der Luftfilter ist verschmutzt, bitte reinigen Sie ihn.

d) Luftaustritt oder -eintritt ist verstopft.

f) Die eingestellte Temperatur ist zu hoch.

4) Problem: Wasserleck während des Transports.

Analyse:

a) Lassen Sie das Kondensat ab, bevor Sie es bewegen.

b) Um ein Auslaufen von Wasser zu vermeiden, stellen Sie das Gerät bitte auf einen ebenen Boden.

5) Störung: Funktioniert nicht und Wasserfüllanzeige "E4"

Analyse:

a) Ziehen Sie den Gummistopfen heraus, um das Wasser abzulassen.

b) Wenn dies häufig der Fall ist, wenden Sie sich bitte an einen qualifizierten Servicetechniker.

Fehlerbehebung

6) Problem: Gerät startet nicht.

Analyse:

a) vielleicht nicht eingesteckt. Also, steck es ein.

b) Möglicherweise Stecker- oder Buchschäden. Durch Dienstleister ersetzen.

c) Vielleicht ist die Sicherung defekt. Ersetzen Sie die Sicherung durch einen Serviceanbieter (Spezifikation: 3,15A / 250VAC).

7) Störung: Gerät stoppt automatisch.

Analyse:

a) Zeitabschaltung oder Erreichen der eingestellten Temperatur. Starten Sie es neu oder warten Sie auf die automatische Umschaltung.

8) Problem: Keine kalte Luft im COOL "K" -Modus.

Analyse:

a) Raumtemperatur ist niedriger als die eingestellte Temperatur. Es ist ein normales Phänomen, dass die Maschine automatisch schaltet, wenn die Raumtemperatur höher als die eingestellte Temperatur ist.

b) Gerät tritt in Frostschutz ein. Das Gerät schaltet automatisch um, wenn der Frostschutz beendet ist.

9) Störung: LED zeigt Fehlercode "E2" an

Analyse:

a) Raumtemperaturfühler versagt oder beschädigt. Ersetzen Sie den Raumtemperaturfühler durch den Serviceanbieter.

10) Fehler: LED zeigt Fehlercode "E3" an

Analyse:

a) Der Verdampferöleleitungssensor fällt aus oder ist beschädigt. Ersetzen Sie den Verdampferrohrsensordurch einen Dienstleister.

11) Störung: LED zeigt Fehlercode "E4" an

Analyse:

a) Wasservollwarnung. Wasser ablassen.

## REINIGUNG UND INSTANDHALTUNG

### Gerätewartung

1. Schalten Sie das Gerät zuerst aus, bevor Sie es vom Stromnetz trennen.
2. Mit einem weichen und trockenen Tuch abwischen. Verwenden Sie zum Reinigen lauwarmes Wasser unter 40 ° C, wenn das Gerät stark verschmutzt ist.
3. Reinigen Sie das Gerät niemals mit flüchtigen Substanzen wie Benzin oder Polierpulver.

### Wartung des Luftfilters

Wenn das Gerät in einer extrem staubigen Umgebung betrieben wird, muss der Luftfilter alle 2 Wochen gereinigt werden. Reinigen Sie wie folgt:

1. Schalten Sie zuerst das Gerät aus und schieben Sie den Luftfilter nach oben (Bild F).
2. Reinigen Sie den Luftfilter und setzen Sie ihn wieder ein.
3. Wenn der Schmutz auffällig ist, waschen Sie ihn mit einer Waschlösung in lauwarmem Wasser. Trocknen Sie es nach der Reinigung an einem schattigen und kühlen Ort und setzen Sie es dann wieder ein.

### Wartung nach Gebrauch

1. Wenn das Gerät längere Zeit nicht benutzt wird, ziehen Sie den Gummistopfen an der oberen Kühlerablassöffnung (8) und die Gummistopfen an der Kühlerablassöffnung (9) der Ablassöffnung heraus, um das Wasser abzulassen .
2. Lassen Sie das Gerät an einem sonnigen Tag nur einen halben Tag mit Lüfter laufen, um das Innere des Geräts zu trocknen und Schimmelbildung zu vermeiden.
3. Schalten Sie das Gerät aus und ziehen Sie den Netzstecker. Nehmen Sie dann die Batterien der Fernbedienung heraus und lagern Sie das Gerät ordnungsgemäß.
4. Reinigen Sie den Luftfilter und setzen Sie ihn wieder ein.
5. Entfernen Sie die Luftschläuche und lagern Sie sie ordnungsgemäß. Decken Sie das Loch fest ab.

## TECHNISCHE DATEN:

Kühlleistung bei BTU: 9000 BTU / Stunde

Kühlleistung in Watt: 2600

Energieverbrauch (Kühlung) W: 950 W

Lautstärke: <= 65 dB

Luftdurchsatz: 380 m<sup>3</sup> / h

Energieklasse: A

Timer: 24 Stunden

R290 Kühlmittelgewicht: max. 200 Gramm



Vorsicht, Brandgefahr.  
NICHT durchstechen oder verbrennen.  
Beachten Sie, dass das Kältemittel möglicherweise keinen Geruch enthält.  
Die maximale Kältemittelfüllmenge: 200g.



Den Pappkarton im Altpapier entsorgen. Polyäthylenbeutel (PE) in dem Behälter für Kunststoff entsorgen. Das abgenutzte Gerät zum Recycling zu einer offiziellen Sammelstelle bringen, da es gefährliche Substanzen enthält, die die Umwelt gefährden können. Das Gerät sollte in einer Form abgegeben werden, die eine weitere Nutzung unmöglich macht. Wenn es Batterien enthält, sollten diese rausgenommen und separat an einer Sammelstelle abgegeben werden. Das Gerät darf nicht in den Hausmüll rausgeworfen werden!!!



CONDITIONS GENERALES DE SECURITE  
INSTRUCTIONS DE SÉCURITÉ IMPORTANTES À LIRE ATTENTIVEMENT ET À  
CONSERVER POUR L'AVENIR

1. Avant d'utiliser l'appareil, lisez le mode d'emploi et suivez les instructions qu'il contient. Le fabricant n'est pas responsable des dommages résultant de l'utilisation contraire de l'appareil ou de son utilisation incorrecte.
2. L'appareil est réservé à un usage domestique. Ne pas utiliser à d'autres fins que celles prévues.
3. L'appareil ne doit être branché qu'à une prise secteur avec une tension de 220 240V ~ 50Hz mise à la terre. Pour augmenter la sécurité de fonctionnement, plusieurs appareils électriques ne doivent pas être connectés à un circuit de courant en même temps.
4. Soyez extrêmement prudent lorsque vous utilisez l'appareil lorsque des enfants se trouvent à proximité. Ne laissez pas les enfants jouer avec l'appareil, n'autorisez pas les enfants ou des personnes inconnus à l'utiliser.
5. **AVERTISSEMENT:** Cet équipement peut être utilisé par des enfants de plus de 8 ans et des personnes ayant des capacités physiques, sensorielles ou mentales limitées, ou des personnes qui n'ont aucune expérience ou connaissance de l'équipement, si cela est fait sous la supervision d'une personne responsable. Pour leur sécurité ou leur ont été donnés des informations sur l'utilisation en toute sécurité de l'appareil et sont conscients des dangers de son utilisation. Les enfants ne doivent pas jouer avec l'équipement. Le nettoyage et l'entretien de l'appareil ne doivent pas être effectués par des enfants, sauf s'ils ont plus de 8 ans et que ces activités sont effectuées sous surveillance.
6. Débranchez toujours le cordon d'alimentation en tenant la prise avec votre main après utilisation. **NE tirez PAS** sur le cordon d'alimentation.
7. N'immergez pas le câble, la fiche et l'appareil dans l'eau ou tout autre liquide. N'exposez pas l'appareil à des conditions atmosphériques (pluie, soleil, etc.) et ne l'utilisez pas dans des conditions d'humidité élevée (salles de bains, maisons mobiles humides).
8. Vérifiez périodiquement l'état du cordon d'alimentation. Si le cordon d'alimentation est endommagé, il doit être remplacé par un atelier spécialisé afin d'éviter tout danger.
9. N'utilisez pas l'appareil avec un cordon d'alimentation endommagé, s'il est tombé ou s'il a été endommagé d'une autre manière ou s'il ne fonctionne pas correctement. Ne réparez pas l'appareil vous-même, vous risqueriez de vous électrocuter. Apportez le périphérique endommagé à un centre de service approprié pour vérification ou réparation. Toutes les réparations ne peuvent être effectuées que par des points de service autorisés. Des réparations effectuées incorrectement peuvent entraîner un grave danger pour l'utilisateur.
10. Placez l'appareil sur une surface fraîche et stable, loin des appareils de cuisine chauds tels que: cuisinière électrique, brûleur à gaz, etc.
11. Assurez-vous que rien ne bloque l'entrée et la sortie d'air de l'appareil.
12. Utilisez l'appareil uniquement sur une surface plane afin d'empêcher la condensation

de se répandre

13. Pour assurer une protection supplémentaire, il est conseillé d'installer un dispositif à courant différentiel résiduel (RCD) dans le circuit électrique avec un courant résiduel nominal ne dépassant pas 30 mA. Demandez à un électricien pour cela.

14. Nettoyez le filtre à air régulièrement. La fréquence de nettoyage dépend de la propreté de l'air.

15. Après avoir éteint la machine, attendez au moins 5 minutes avant de la rallumer.

16. N'utilisez pas l'appareil dans des endroits ensoleillés. Lorsque l'appareil surchauffe, la protection contre la surchauffe allumera l'appareil.

17. Pour assurer un refroidissement efficace, une distance minimale de 60 cm doit être respectée entre les parois latérales de l'appareil et le mur, le meuble ou les rideaux.

18. En raison des performances limitées de l'appareil, si la différence entre la température cible et la température ambiante est trop grande, la température cible peut ne pas être atteinte.

19. Pour réduire les risques d'incendie, de choc électrique ou de blessure lors de l'utilisation du climatiseur, observez les précautions de base suivantes:

a) Connectez-vous à une prise mise à la terre avec 3 broches.

b) Ne retirez pas la broche de mise à la terre.

c) N'utilisez pas l'adaptateur.

d) N'utilisez pas de rallonge.

e) Débranchez le climatiseur avant de procéder à l'entretien.

f) Utilisez deux personnes ou plus pour déplacer et installer le climatiseur.

20. N'utilisez pas d'agents accélérant le processus de dégivrage ou de nettoyage autres que ceux recommandés par le fabricant.

21. L'appareil doit être rangé dans une pièce dépourvue de sources d'inflammation en fonctionnement constant, par exemple: feu ouvert, appareils à gaz ou radiateurs électriques.

AVANT LA PREMIÈRE UTILISATION - (photo E)

Raccordez les connecteurs au conduit d'échappement d'air comme suit:

1. Étendez le conduit d'évacuation d'air (10) en tirant sur les deux extrémités du conduit.

2. Vissez le conduit d'évacuation d'air (10) dans le connecteur du conduit d'évacuation d'air (11).

3. Branchez le connecteur du conduit d'évacuation d'air (11) à l'appareil.

REMARQUES:

1. Maintenez l'appareil à au moins 1 mètre de la télévision ou de la radio pour éviter les interférences électromagnétiques.

2. N'exposez pas l'appareil à la lumière directe du soleil pour éviter toute décoloration de la surface.

3. N'inclinez pas l'appareil à plus de 35 ° ou à l'envers pendant le transport. Si l'appareil a été retourné pendant le transport, posez-le correctement et attendez 2 à 4 heures avant de le démarrer.

4. Placez l'appareil sur une surface plane avec une inclinaison inférieure à 5 °.

5. L'appareil fonctionne plus efficacement dans certains emplacements, sélectionnez le meilleur emplacement:

- A côté d'une fenêtre, d'une porte ou d'une porte fenêtre.

- Respectez une distance minimale de 60 cm entre la sortie d'air de reprise et le mur ou tout autre obstacle.

- Allongez le tuyau d'air afin de vous assurer que l'autre extrémité du tuyau d'air a un jeu entre la porte de la fenêtre, la fenêtre à la française ou le trou dans le mur.

- La sortie ou l'admission d'air ne peut pas être bloquée par une grille de protection ou un obstacle.

Pour prolonger la durée de vie de l'appareil, vidangez l'eau condensée des orifices de drainage supérieur (8) et inférieur (9) avant de ranger l'appareil à la fin de la saison.

DESCRIPTION DE L'APPAREIL (images A et B)

1. Panneau de commande

2. Sortie d'air froid

- |  |  |
|--|--|
| 3. Récepteur de signal                         | 4. Télécommande                                |
| 5. Poignée de transport                        | 6. Conduit d'échappement                       |
| 7. Entrée de l'évaporateur                     | 8. Trou de drainage supérieur du refroidisseur |
| 9. Trou de drainage du refroidisseur inférieur | 10. Conduit d'échappement d'air                |
| 11. Connecteur du conduit d'évacuation d'air   | 12. Adaptateur d'échappement de fenêtre        |

#### PANNEAU DE COMMANDE (image C)

- |  |  |
|--|--|
| A. Bouton marche / arrêt                   | B. Bouton vitesse du ventilateur               |
| C. Touche Mode                             | D. Touche Minuterie / Augmenter la température |
| E. Bouton Minuterie / Température bas      | F. Bouton Basse vitesse                        |
| G. Bouton haute vitesse                    | H. Indicateur d'alimentation                   |
| I. Bouton de veille et verrouillage enfant | J. Mode automatique                            |
| K. Mode Cool                               | L. Mode Déshumidification                      |
| M. Mode ventilateur                        | N. Bouton Minuterie                            |
| O. Bouton d'oscillation                    | P. Verrouillage parental                       |

#### TÉLÉCOMMANDE - image D

La télécommande transmet des signaux au système.

Bouton "A" - l'appareil sera mis en marche quand il est sous tension ou sera arrêté quand il est en marche, si vous appuyez sur ce bouton.

Bouton "C" - appuyez dessus pour sélectionner le mode de fonctionnement: "J", "K", "L" ou "M..".

Bouton "B" - appuyez dessus pour sélectionner la vitesse du ventilateur en séquence.

Bouton "D" / "E" - appuyez pour régler la température ambiante et la minuterie.

Bouton "I" - appuyez pour définir ou annuler le mode veille.

Bouton "N" - appuyez pour régler l'heure de l'extinction automatique et l'activation automatique.

Bouton "O" - appuyez pour régler ou annuler le mode de balayage des persiennes.

#### FONCTIONNEMENT DU PANNEAU DE COMMANDE

##### AUTOMATIQUE / COOL / SEC / FAN

##### 1. Allumez l'appareil.

a) Connectez l'appareil, puis l'appareil émet un bip sonore. Le voyant d'alimentation "H" est allumé.

b) Appuyez sur le bouton "A", puis l'appareil s'allumera.

c) La diode à LED affiche la température ambiante et commence à fonctionner en mode automatique.

##### 2. Choisissez le mode de fonctionnement

Appuyez sur la touche "C" pour sélectionner le mode de fonctionnement souhaité par séquence:

Mode automatique "J" -> Mode de refroidissement "K" -> Mode de séchage "L" -> Mode de ventilation "M."

##### 3. Ajuster la température

La température peut être réglée dans une plage allant de 15 ° à 31 ° C. Appuyez sur le bouton "D" ou "E" pour augmenter ou diminuer la température de 1 ° C en appuyant une fois. Le panneau à DEL de l'appareil indique la température cible pendant 5 secondes, puis la température ambiante.

##### 4. Ajuster la vitesse du ventilateur

Appuyez sur le bouton "B" pour sélectionner l'affichage de la vitesse du ventilateur souhaité par séquence:

Basse vitesse "F" -> Haute vitesse G

##### 5. Puissance

Lorsque vous appuyez à nouveau sur le bouton "A", l'appareil sonne "di", le voyant d'alimentation "H" s'éteint et cesse de fonctionner.

6. Appuyez sur le bouton "I" pour passer en mode veille du périphérique.

7. Appuyez sur la touche "N" pour définir un arrêt programmé.

8. Appuyez sur la touche "O" pour régler l'oscillation de l'air oscillant vers le haut.

Principe de fonctionnement de chaque mode:

##### Mode AUTO "J":

Une fois que le "J", fonctionnement est sélectionné, le capteur de température intérieure fonctionne automatiquement et sélectionne l'un des modes de fonctionnement suivants:

- Lorsque la température ambiante est  $\geq 24$ , l'appareil sélectionne automatiquement le mode de refroidissement "K".  
ou
- Lorsque la température ambiante  $< 24$ , l'appareil sélectionne automatiquement le mode de vitesse de ventilation élevée "M".

Déshumidifier le mode "L":

1. Le ventilateur centrifuge en marche fonctionne à basse vitesse et la vitesse ne peut pas être ajustée.
2. Le compresseur s'arrête après 8 minutes d'utilisation, puis redémarre après 6 minutes.
3. L'appareil adopte un mode de déshumidification à température constante et le réglage de la température n'a aucun effet.

ATTENTION:

Lors de l'utilisation de l'appareil dans des conditions d'humidité variable, le trou de drainage du refroidisseur (9) doit être ouvert en permanence et permettre un drainage constant de l'eau.

Mode COOL "K":

1. Lorsque la température de la pièce est supérieure à la température définie sur le panneau de commande, le compresseur commence à fonctionner.
2. Lorsque la température de la pièce est inférieure à la température définie sur le panneau de commande, l'arrêt du compresseur et le ventilateur supérieur fonctionnent à la vitesse définie initialement.

Mode ventilateur "M.":

1. Le ventilateur centrifuge en marche fonctionne à la vitesse réglée et le compresseur ne fonctionne pas.
2. L'ajustement de la température n'est pas efficace.

Opération de minuterie "N":

1. Appuyez sur le bouton "N" pour régler l'heure d'arrêt automatique pendant que l'appareil est en marche.
2. Appuyez sur le bouton "N" pour régler l'heure d'activation automatique lorsque l'appareil est prêt.
3. L'heure peut être réglée dans une plage allant de 1 heure à 24 heures en appuyant sur la touche "D" + ) ou "E" - ) .

Opération "I" en mode veille et fonction de verrouillage parental:

1. Le mode veille fonctionne lorsque l'unité est en mode de refroidissement "K".
2. Appuyez sur le bouton "I" en mode de refroidissement "K". L'appareil fonctionnera alors en mode veille et le ventilateur centrifuge en montée passera automatiquement en vitesse lente. La température réglée augmentera de 1 après une heure et augmentera de 2 après deux heures. Après six heures, l'appareil s'arrêtera de fonctionner.
3. Appuyez sur le bouton de verrouillage "I" pendant trois secondes pour que toutes les autres fonctions ne puissent plus être utilisées. Appuyez à nouveau pendant 3 secondes pour déverrouiller la fonction de verrouillage parental, tandis que toutes les autres fonctions pourront être réutilisées.

Swing "O" mode de fonctionnement:

Lorsque l'appareil est allumé, appuyez sur le bouton "O", le déflecteur vertical sera activé ou désactivé. Lorsqu'il est allumé, le déflecteur peut basculer dans les 60 degrés. Appuyez à nouveau sur le bouton "O", le volet cesse de pivoter.

Remarquer:

La carte de contrôle principale a une fonction de mémoire. Lorsque le périphérique est prêt à fonctionner mais en état d'arrêt, la carte de contrôle principale peut mémoriser l'initialisation du mode de travail. Lorsque vous allumez l'appareil, il fonctionnera de la même manière que la dernière fois, il n'est pas nécessaire de réinitialiser le mode de travail. (Cette condition n'est pas disponible lorsque l'appareil est en mode AUTO "J".)

TÉLÉCOMMANDE

1. Faites glisser le capot arrière pour ouvrir et retirer le film isolant des piles.
  2. Placez les piles dans la fente, elles doivent correspondre aux signes "+" et "-" de la télécommande.
  3. Pendant une longue période sans utilisation, retirez les piles.
  4. Pour éviter la pollution de l'environnement, retirez les piles usagées et mettez au rebut de manière appropriée.
- Pour utiliser l'appareil, dirigez la télécommande (..) vers le récepteur du signal. La télécommande fera fonctionner l'appareil à une distance de 5 mètres lorsqu'elle pointe vers le récepteur du signal de l'appareil.

## DISPOSITIFS DE PROTECTION

Le dispositif de protection peut déclencher et arrêter l'appareil dans les cas énumérés ci-dessous:

1. en mode de refroidissement: la température de l'air intérieur est supérieure à 43 ° C (109 ° F)
2. en mode de refroidissement: la température ambiante est inférieure à 15 ° C (59 ° F)
3. en mode déshumidification: la température ambiante est inférieure à 15 ° C (59 ° F).

Si l'appareil fonctionne en mode de refroidissement "K" ou de déshumidification en mode "L" avec une porte ou une fenêtre ouverte longtemps lorsque l'humidité relative est supérieure à 80%, de la rosée peut s'écouler de la sortie.

Le dispositif de protection fonctionnera dans les cas suivants:

1. Redémarrez l'appareil immédiatement après avoir arrêté le travail ou changé le mode sélectionné pendant le travail, vous devez attendre 3 minutes.
2. Si la fiche a été retirée, après le redémarrage, l'appareil reviendra au mode d'origine, TIMER ON et TIMER OFF - doivent être réglés à nouveau.

**REMARQUE:** le recyclage de l'eau de condensation est caché dans cette unité. L'eau de condensation est en partie gardée en recyclage entre le condenseur et la plaque à eau. Lorsque le niveau d'eau monte au niveau supérieur, l'interrupteur à flotteur et l'indicateur de saturation en eau (E4) s'allument pour rappeler l'évacuation de l'eau. Coupez l'alimentation électrique, déplacez l'appareil dans un endroit approprié, retirez le bouchon de vidange, vidangez complètement l'eau. Après la vidange, réinstallez la fiche sinon l'appareil pourrait fuir et rendre votre pièce humide.

Si l'appareil est placé dans une position permettant à l'eau de drainer, vous pouvez également connecter le trou de drainage à l'orifice de drainage pour drainer l'eau. Un tuyau de vidange est ajouté au kit, avec un diamètre intérieur de 9 mm, un diamètre extérieur de 12 mm, matériau : PVC.

## Dépannage

1) Problème: ne fonctionne pas.

Une analyse:

- a) le disjoncteur de protection ou le fusible a peut-être sauté, attendez 3 minutes et recommencez, le dispositif de protection l'empêche peut-être de fonctionner.
- c) peut-être que les piles de la télécommande sont épuisées.
- d) peut-être que la fiche n'est pas correctement branchée.

2) Trouble: fonctionne pour une courte période seulement

Une analyse:

- a) Si la température de consigne est proche de la température ambiante, vous pouvez l'abaisser.
- b) peut-être que la sortie d'air est bloquée par un obstacle. Enlève l'obstacle.

3) Problème: Fonctionne mais ne refroidit pas

Une analyse:

- a) peut-être que la porte ou la fenêtre sont ouvertes.
  - b) peut-être que de très près, il y a un autre appareil qui fonctionne à la chaleur, comme un radiateur ou une lampe, etc.
  - c) le filtre à air est sale, veuillez le nettoyer.
  - d) la sortie ou l'admission d'air est bloquée.
  - f) la température réglée est trop élevée.
- 4) Problème: fuite d'eau lors du déplacement.

Une analyse:

- a) vidanger le condensat avant de le déplacer.
  - b) pour éviter les fuites d'eau, veuillez placer l'appareil sur un sol plat.
- 5) Problème: ne pas travailler et indicateur d'eau plein "E4"

Une analyse:

- a) retirez le bouchon en caoutchouc pour drainer l'eau.
- b) s'il se trouve souvent dans cet état, veuillez contacter un technicien qualifié.

Dépannage

6) Problème: le périphérique ne parvient pas à démarrer.

Une analyse:

- a) peut-être pas branché. Alors, branchez-le.
- b) peut-être endommager la prise ou la prise. Remplacer par le fournisseur de service.
- c) peut-être que le fusible est cassé. Remplacez le fusible par le fournisseur de service (spécification: 3,15A / 250VAC).

7) Problème: l'appareil s'arrête automatiquement.

Une analyse:

- a) minuterie arrêtée ou température réglée atteinte. Redémarrez-le ou attendez le changement automatique.
- 8) Problème: pas d'air froid en mode COOL "K".

Une analyse:

- a) la température ambiante est inférieure à la température définie. C'est un phénomène normal, la machine se commut automatiquement lorsque la température de la pièce est supérieure à la température définie.
- b) Le dispositif entre en protection antigel. L'appareil commut automatiquement une fois la protection antigel terminée.

9) Problème: la LED affiche le code d'échec "E2"

Une analyse:

- a) le capteur de température ambiante tombe en panne ou est endommagé. Remplacez le capteur de température ambiante par votre prestataire de services.

10) Problème: la DEL affiche le code d'erreur "E3"

Une analyse:

- a) le capteur de conduite d'huile de l'évaporateur est défaillant ou endommagé. Remplacez le capteur de tuyau de serpentin de l'évaporateur par votre prestataire de services.

11) Problème: la DEL affiche le code d'erreur "E4"

Une analyse:

- a) avertissement de saturation en eau. Videz l'eau.

## NETTOYAGE ET ENTRETIEN

Maintenance de l'appareil

1. Éteignez d'abord l'appareil avant de le débrancher.
2. Essuyez avec un chiffon doux et sec. Utilisez de l'eau tiède jusqu'à 40 ° C pour nettoyer si l'appareil est très sale.
3. N'utilisez jamais de substances volatiles telles que de l'essence ou de la poudre de polissage pour nettoyer l'appareil.

Entretien du filtre à air

Il est nécessaire de nettoyer le filtre à air toutes les deux semaines si l'appareil fonctionne dans un environnement extrêmement poussiéreux. Nettoyer comme suit:

1. Arrêtez d'abord l'appareil, poussez le filtre à air vers le haut (Illustration F).
2. Nettoyez et réinstallez le filtre à air.
3. Si la saleté est visible, lavez-la avec une solution de détergent dans de l'eau tiède. Après le nettoyage, séchez-le dans un endroit ombragé et frais, puis réinstallez-le.

Maintenance après utilisation

1. Si l'appareil ne doit pas être utilisé plus longtemps, veillez à retirer le bouchon en caoutchouc du trou de vidange supérieur du refroidisseur (8) et le bouchon en caoutchouc dans le trou de vidange du refroidisseur (9) de

l'orifice de vidange, afin de drainer l'eau .

2. Ne laissez l'appareil fonctionner avec le ventilateur que pendant une demi-journée par une journée ensoleillée pour sécher l'appareil à l'intérieur et éviter qu'il ne moisisse.
3. Arrêtez l'appareil et débranchez le cordon d'alimentation, retirez les piles de la télécommande et rangez l'appareil correctement.
4. Nettoyez le filtre à air et réinstallez-le.
5. Retirez les flexibles d'air, rangez-les correctement et couvrez bien le trou.

#### DONNÉES TECHNIQUES:

Capacité de refroidissement en BTU: 9000 BTU / heure

Puissance de refroidissement en watts: 2600

Consommation énergétique (refroidissement) W: 950 W

Volume: <= 65dB

Débit d'air: 380 m3 / h

Classe énergétique: A

Minuterie: 24 heures

R290 poids de liquide de refroidissement: max. 200 grammes



Attention, risque d'incendie.

NE PAS percer ou brûler.

Sachez que le réfrigérant peut ne pas contenir d'odeur.

La quantité maximale de charge de réfrigérant: 200g.



Respect de l'environnement. Nous vous prions de bien vouloir trier les emballages en carton ainsi que les sachets plastiques (en polyéthylène). L'appareil usagé ne doit pas être jeté à la poubelle mais remis au point de collecte prévu à cet effet car il contient des éléments pouvant être nocifs pour l'environnement. L'appareil électrique doit être remis de manière à limiter au maximum une éventuelle utilisation ultérieure. Si l'appareil contient des piles, il faut les retirer et les remettre à un autre point de collecte.

Ne pas jeter l'appareil dans une poubelle de déchets ménagers !!!

## ESPAÑOL

### CONDICIONES GENERALES DE SEGURIDAD

#### INSTRUCCIONES DE SEGURIDAD IMPORTANTES LEA CUIDADOSAMENTE Y AHORRE POR FUTURO

1. Antes de usar el dispositivo, lea el manual de operación y siga las instrucciones contenidas en él. El fabricante no se hace responsable de los daños causados por el uso del dispositivo contrario a su propósito previsto u operación incorrecta.
2. El dispositivo es solo para uso doméstico. No lo use para otros fines que no sean para los fines previstos.
3. El dispositivo solo debe conectarse a un tomacorriente de CA con una conexión a tierra de 220 240V ~ 50Hz. Para aumentar la seguridad operativa, no se deben conectar varios dispositivos eléctricos a un circuito de corriente al mismo tiempo.
4. Tenga mucho cuidado al usar el dispositivo cuando haya niños cerca. No permita que los niños jueguen con el dispositivo, no permita que lo usen niños o personas que no estén familiarizadas con el dispositivo.
5. **ADVERTENCIA:** Este equipo puede ser utilizado por niños mayores de 8 años y personas con capacidad física, sensorial o mental limitada, o personas que no tienen experiencia o conocimiento del equipo, si esto se hace bajo la supervisión de una persona responsable. por su seguridad o se les ha otorgado información sobre el uso seguro del dispositivo y son conscientes de los peligros de su uso. Los niños no deben jugar con el equipo. La limpieza y el mantenimiento del dispositivo no deben ser realizados por niños, a menos que tengan más de 8 años y estas actividades se realicen bajo supervisión.
6. Siempre desconecte el enchufe de alimentación sosteniendo el enchufe con la mano

después de usarlo. NO tire del cable de alimentación.

7. No sumerja el cable, el enchufe y todo el dispositivo en agua o cualquier otro líquido. No exponga el dispositivo a condiciones atmosféricas (lluvia, sol, etc.) ni lo use en condiciones de alta humedad (baños, casas móviles húmedas).

8. Compruebe periódicamente el estado del cable de alimentación. Si el cable de alimentación está dañado, debe ser reemplazado por un taller de reparación especializado para evitar peligros.

9. No utilice el aparato con un cable de alimentación dañado o si se ha caído o dañado de alguna otra manera o si no funciona correctamente. No repare el dispositivo usted mismo, ya que existe el riesgo de descarga eléctrica. Lleve el dispositivo dañado a un centro de servicio apropiado para su revisión o reparación. Todas las reparaciones solo pueden llevarse a cabo en puntos de servicio autorizados. Las reparaciones realizadas incorrectamente pueden causar serios peligros para el usuario.

10. Coloque el dispositivo sobre una superficie fresca y estable, lejos de electrodomésticos de cocina calientes como: estufa eléctrica, quemador de gas, etc.

11. Asegúrese de que nada bloquee la entrada y salida de aire del dispositivo

12. Use el dispositivo solo en una superficie nivelada para evitar que se derrame la condensación

13. Para proporcionar protección adicional, es aconsejable instalar un dispositivo de corriente residual (RCD) en el circuito eléctrico con una corriente residual nominal que no exceda los 30 mA. Pregúntele a un electricista por esto.

14. Limpie el filtro de aire regularmente. La frecuencia de la limpieza depende de la limpieza del aire.

15. Después de apagar la máquina, espere al menos 5 minutos antes de volver a encenderla.

16. No utilice el dispositivo en lugares soleados. Cuando el dispositivo se sobrecalienta, la protección contra sobrecalentamiento encenderá el dispositivo.

17. Para garantizar un enfriamiento efectivo, se debe mantener una distancia de al menos 60 cm entre las paredes laterales del dispositivo y la pared, los muebles o las cortinas.

18. Debido al rendimiento limitado del dispositivo, si la diferencia entre la temperatura objetivo y la temperatura ambiente es demasiado grande, es posible que no se alcance la temperatura objetivo.

19. Para reducir el riesgo de incendio, descarga eléctrica o lesiones al usar el aire acondicionado, observe las siguientes precauciones básicas:

a) Conecte a una toma de corriente con conexión a tierra con 3 pines.

b) No quite la punta de conexión a tierra.

c) No use el adaptador.

d) No use un cable de extensión.

e) Desconecte el aire acondicionado antes de dar servicio.

f) Use dos o más personas para mover e instalar el aire acondicionado.

20. No utilice agentes que aceleren el proceso de descongelación o limpieza que no sean



los recomendados por el fabricante.

21. El dispositivo debe almacenarse en una habitación sin operar constantemente fuentes de ignición, por ejemplo: fuego abierto, aparatos de gas o calentadores eléctricos.

ANTES DEL PRIMER USO - (imagen E)

Conecte los conectores al conducto de escape de aire de la siguiente manera:

1. Extienda el conducto de escape de aire (10) extrayendo los dos extremos del conducto.
2. Atornille el conducto de escape de aire (10) en el conector del conducto de escape de aire (11).
3. Conecte el conector del conducto de escape de aire (11) al.. dispositivo.

OBSERVACIONES

1. Mantenga la unidad al menos a 1 metro de distancia de TV o radios para evitar interferencias electromagnéticas.
  2. No exponga la unidad a la luz directa del sol para evitar el desvanecimiento del color de la superficie.
  3. No incline la unidad más de 35 ° o al revés mientras la transporta. Si el dispositivo se ha volcado durante el transporte, bájelo correctamente y espere de 2 a 4 horas antes de encenderlo.
  4. Coloque la unidad sobre una superficie plana con menos de 5 ° de inclinación.
  5. La unidad funciona de manera más eficiente en ciertas ubicaciones de habitaciones, seleccione la mejor ubicación:
    - Al lado de una ventana, una puerta o una ventana francesa.
    - Mantenga la distancia requerida desde la salida de aire de retorno a la pared u otros obstáculos al menos 60 cm.
    - Extienda la manguera de aire para asegurarse de que el otro extremo de la manguera de aire tenga espacio entre la puerta de la ventana, la ventana francesa o el orificio de la pared.
    - La salida o entrada de aire no puede bloquearse con una rejilla protectora o cualquier obstáculo.
- Para extender la vida útil de la unidad, drene el agua condensada de los orificios de drenaje del enfriador superior (8) e inferior (9) antes de guardar la unidad al final de la temporada.

DESCRIPCIÓN DEL DISPOSITIVO (fotos A y B)

- |   |   |
|---|---|
| 1. Panel de control                           | 2. Salida de aire frío                        |
| 3. Receptor de señal                          | 4. Control remoto                             |
| 5. Asa de transporte                          | 6. Conducto de escape                         |
| 7. Entrada del evaporador                     | 8. Orificio de drenaje del enfriador superior |
| 9. Abajo el orificio de drenaje del enfriador | 10. Conducto de escape de aire                |
| 11. Conector del conducto de escape de aire   | 12. Adaptador de escape de ventana            |

PANEL DE CONTROL (imagen C)

- |   |   |
|---|---|
| A. Botón de encendido ON / OFF                        | B. Botón de velocidad del ventilador              |
| C. Botón de modo                                      | D. Botón de temporizador / aumento de temperatura |
| E. Botón de disminución de temperatura / temporizador | F. Botón de baja velocidad                        |
| G. Botón de alta velocidad                            | H. Indicador de encendido                         |
| I. Botón de suspensión y bloqueo para niños           | J. Modo automático                                |
| K. Modo frío  | L. Modo deshumidificación                         |
| M. Modo de ventilador                                 | N. Botón del temporizador                         |
| O. Botón de oscilación                                | P. Bloqueo infantil                               |

CONTROL REMOTO - imagen D

El control remoto transmite señales al.. sistema.

Botón "A": el aparato se iniciará cuando esté energizado o se detendrá cuando esté en funcionamiento, si presiona este botón.

Botón "C": presiónelo para seleccionar el modo de operación: "J", "K", "L" o "M".

Botón "B": presiónelo para seleccionar la velocidad del ventilador en secuencia.

Botón "D" / "E": presione para ajustar la temperatura ambiente y el temporizador.

Botón "I": presione para establecer o cancelar el modo de suspensión.

Botón "N": presione para establecer el tiempo de apagado automático y encendido automático.

Botón "O": presione para configurar o cancelar el modo de oscilación de las rejillas.

OPERACIÓN DEL PANEL DE CONTROL

AUTOMÁTICO / FRÍO / SECO / VENTILADOR

1. Encienda el dispositivo.
  - a) Conecte el dispositivo y luego el dispositivo emitirá un pitido una vez. La luz de encendido "H" está encendida.
  - b) Presione el botón "A", luego el dispositivo se encenderá.
  - c) El diodo LED muestra la temperatura ambiente y comienza a funcionar en modo automático.

## 2. Elija el modo de operación

Presione el botón "C" para seleccionar el modo de operación deseado por secuencia:

Modo automático "J" -> Modo de enfriamiento "K" -> Modo de secado "L" -> Modo de ventilador "M."

## 3. Ajuste la temperatura

La temperatura se puede establecer dentro de un rango de 15 ° -31 ° C. Presione el botón "D" o "E" para aumentar o disminuir la temperatura en 1 ° C presionando una vez. El panel LED del dispositivo muestra la temperatura objetivo durante 5 segundos y luego muestra la temperatura ambiente.

## 4. Ajuste la velocidad del ventilador

Presione el botón "B" para seleccionar la velocidad deseada del ventilador que se muestra por secuencia:

Baja velocidad "F" -> Alta velocidad G

## 5. Poder

Cuando presiona el botón "A" nuevamente, el dispositivo sonará "di", el indicador de encendido "H" se apagará y dejará de funcionar.

6. Presione este botón "I" para ingresar al modo de suspensión del dispositivo.

7. Presione este botón "N" para establecer un apagado programado.

8. Presione este botón "O" para ajustar la oscilación de oscilación de aire hacia arriba o hacia abajo.

Principio de funcionamiento de cada modo:

Modo AUTO "J":

Una vez que se selecciona la operación "J", el sensor de temperatura interior funciona automáticamente y selecciona uno de los siguientes modos de operación:

- Cuando la temperatura ambiente es  $\geq 24$  °C, la unidad seleccionará automáticamente el modo frío "K".

o

- Cuando la temperatura ambiente  $< 24$  °C, la unidad seleccionará automáticamente el modo de alta velocidad del ventilador "M".

Deshumidificar el modo "L":

1. El ventilador centrífugo ascendente funcionará a baja velocidad y la velocidad no se puede ajustar.
2. El compresor se detendrá después de funcionar 8 minutos, luego volverá a funcionar después de 6 minutos.
3. El dispositivo adopta el modo de deshumidificación a temperatura constante, y el ajuste de temperatura no es efectivo.

ADVERTENCIA:

Al operar el dispositivo en condiciones de humedad variable, el orificio de drenaje del enfriador (9) debe estar constantemente abierto y garantizar un drenaje constante del agua.

MODO FRÍO "K":

1. Cuando la temperatura ambiente es superior a la temperatura establecida en el panel de control, el compresor comienza a funcionar.
2. Cuando la temperatura ambiente es inferior a la temperatura establecida en el panel de control, el compresor se detiene y el ventilador superior funciona a la velocidad original establecida.

Modo de ventilador "M..".

1. El ventilador centrífugo ascendente funciona a la velocidad establecida y el compresor no funciona.
2. El ajuste de temperatura no es efectivo.

Operación del temporizador "N":

1. Presione el botón "N" para configurar el tiempo de apagado automático mientras la unidad está funcionando.
2. Presione el botón "N" para configurar el tiempo de encendido automático mientras la unidad está lista.
3. El tiempo se puede ajustar dentro de un rango de 1 hora a 24 horas presionando el botón "D" ( + ) o "E" ( - ) .

Funcionamiento en modo de suspensión "I" y función de bloqueo para niños:

1. El modo de suspensión funciona cuando la unidad está en modo de enfriamiento "K".
2. Presione el botón "I" en modo frío "K", luego la unidad funcionará en modo de reposo y el ventilador centrífugo ascendente cambiará automáticamente a baja velocidad. La temperatura establecida aumentará 1 °C después de una hora, y aumentará 2 °C después de dos horas. Después de seis horas, la unidad dejará de funcionar.
3. Presione el botón de bloqueo para niños "I" durante tres segundos para que todas las demás funciones no puedan utilizarse. Presione durante 3 segundos nuevamente para desbloquear la función de bloqueo para niños, mientras que todas las demás funciones podrán volver a usarse.

Operación del modo de oscilación "O":

Cuando el dispositivo está encendido, presione el botón "O", la rejilla vertical se encenderá o apagará. Cuando está encendido, la rejilla puede oscilar hacia adelante y hacia atrás dentro de los 60 grados. Presione el botón "O" nuevamente, la rejilla dejará de oscilar.

Aviso:

La placa de control principal tiene función de memoria, cuando el dispositivo está listo para funcionar pero en estado de parada, la placa de control principal puede memorizar la inicialización del modo de trabajo. Cuando enciende la unidad, funcionará como la misma activación del modo de trabajo que la última vez, no es necesario restablecer el modo de trabajo nuevamente. (Esta condición no está disponible cuando la unidad está en modo AUTO "J").

## CONTROL REMOTO

1. Deslice la cubierta posterior para abrir y quitar la película aislante de las baterías.
2. Coloque las baterías dentro de la ranura, deben corresponder a los signos de "+" y "-" en el control remoto.
3. Durante mucho tiempo sin uso, saque las baterías.
4. Para evitar la contaminación ambiental, saque las baterías usadas y deseche la seguridad y de manera adecuada.

Para operar el dispositivo, apunte el control remoto (..) al receptor de señal. El controlador remoto operará el dispositivo a una distancia de 5 metros cuando apunte al receptor de señal del dispositivo.

## DISPOSITIVOS PROTECTORES

El dispositivo de protección puede disparar y detener el aparato en los casos enumerados a continuación:

1. en modo refrigeración: la temperatura del aire interior supera los 43 ° C (109 ° F)
2. en modo refrigeración: la temperatura ambiente es inferior a 15 ° C (59 ° F)
3. en modo de deshumidificación: la temperatura ambiente es inferior a 15 ° C (59 ° F).

Si el dispositivo funciona en modo de enfriamiento "K" o deshumidifica el modo "L" con la puerta o ventana abierta durante mucho tiempo cuando la humedad relativa es superior al 80%, el rocío puede gotear desde la salida.

El dispositivo de protección funcionará en los siguientes casos:

1. Reiniciando el dispositivo inmediatamente después de detener el trabajo o cambiar el modo seleccionado mientras trabaja, debe esperar 3 minutos.
2. Si se quitó el enchufe, después de reiniciar el dispositivo volverá al modo original, TIMER ON y TIMER OFF - deben configurarse nuevamente.

**OBSERVACIÓN:** hay agua de condensación reciclada oculta dentro de esta unidad. El agua de condensación se mantiene parcialmente reciclada entre el condensador y la placa de agua. Cuando el nivel del agua sube al nivel superior, el interruptor de flotador y el indicador de agua llena (E4) se encienden para recordar el drenaje del agua. Corte la fuente de alimentación, mueva el aparato a un lugar adecuado, retire el tapón de drenaje, drene el agua por completo. Después del desagüe, vuelva a instalar el enchufe, o el aparato puede tener fugas y mojar su habitación.

Si el aparato se coloca en una posición que admite agua de drenaje, también puede conectar el orificio de drenaje al puerto de drenaje para drenar el agua. El tubo de drenaje se agrega al kit, con un diámetro interior de 9 mm, un diámetro exterior de 12 mm, material: PVC.

#### Solución de problemas

1) Problema: no funciona.

##### Análisis:

a) tal vez se haya fundido el fusible o el disparo del protector, espere 3 minutos y comience de nuevo, el dispositivo protector puede estar evitando que el dispositivo funcione.

c) tal vez las baterías del control remoto estén agotadas.

d) tal vez el enchufe no esté enchufado correctamente.

2) Problema: funciona solo por poco tiempo

##### Análisis:

a) si la temperatura establecida es cercana a la temperatura ambiente, puede bajar la temperatura establecida.

b) tal vez la salida de aire esté bloqueada por un obstáculo. Quita el obstáculo.

3) Problema: funciona pero no se enfría

##### Análisis:

a) tal vez la puerta o la ventana están abiertas.

b) tal vez a corta distancia haya otro aparato que trabaje con calor, como un calentador o una lámpara, etc.

c) el filtro de aire está sucio, límpielo.

d) la salida o entrada de aire está bloqueada.

f) la temperatura establecida es demasiado alta.

4) Problema: fuga de agua durante el movimiento.

##### Análisis:

a) drene el condensado antes de moverlo.

b) para evitar fugas de agua, ubique el dispositivo en un terreno plano.

5) Problema: no funciona y el indicador de agua llena "E4"

##### Análisis:

a) retire el tapón de goma para drenar el agua.

b) si a menudo se encuentra en este estado, comuníquese con el servicio técnico calificado.

#### Solución de problemas

6) Problema: el dispositivo no se inicia.

##### Análisis:

a) tal vez no esté enchufado. Entonces, conéctelo.

b) tal vez daños en el enchufe o la toma. Reemplazar por el proveedor de servicios.

c) quizás fusible roto. Reemplace el fusible por el proveedor de servicios (especificación: 3,15A / 250VAC).

7) Problema: el dispositivo se detiene automáticamente.

##### Análisis:

a) temporización de apagado o ajuste de temperatura alcanzada. Reinícielo o espere el cambio automático.

8) Problema: no hay aire frío en modo FRÍO "K".

##### Análisis:

a) la temperatura ambiente es inferior a la temperatura establecida. Es un fenómeno normal, la máquina cambiará automáticamente mientras la temperatura ambiente sea más alta que la temperatura establecida.

b) El dispositivo entra en la protección antihielo. El dispositivo cambiará automáticamente después de que termine la protección contra heladas.

9) Problema: el LED muestra el código de falla "E2"

##### Análisis:

a) el sensor de temperatura ambiente falla o se daña. Reemplace el sensor de temperatura ambiente por el proveedor de servicios.

10) Problema: el LED muestra el código de falla "E3"

##### Análisis:

a) el sensor de la tubería de aceite del evaporador falla o está dañado. Reemplace el sensor del tubo de la bobina del evaporador por el proveedor de servicios.

11) Problema: el LED muestra el código de falla "E4"

Análisis:

a) advertencia de agua llena. Escurrir el agua.

## LIMPIEZA Y MANTENIMIENTO

Mantenimiento del dispositivo

1. Apague el dispositivo primero antes de desconectarlo de la fuente de alimentación.
2. Limpie con un paño suave y seco. Use agua tibia por debajo de 40 ° C para limpiar si el aparato está muy sucio.
3. Nunca use sustancias volátiles como gasolina o polvo de pulido para limpiar el dispositivo.

Mantenimiento del filtro de aire

Es necesario limpiar el filtro de aire cada 2 semanas si el dispositivo funciona en un entorno extremadamente polvoriento. Limpie de la siguiente manera:

1. Primero detenga el dispositivo, empuje hacia arriba el filtro de aire (Imagen F).
2. Limpie y vuelva a instalar el filtro de aire.
3. Si la suciedad es visible, lávela con una solución de detergente en agua tibia. Después de limpiar, séquelo en un lugar sombreado y fresco, luego vuelva a instalarlo.

Mantenimiento después de usar

1. Si el dispositivo no va a usar por más tiempo, asegúrese de extraer el tapón de goma del orificio de drenaje superior del refrigerador (8) y el orificio de drenaje del tapón de goma del refrigerador (9) del puerto de drenaje, para drenar el agua .
2. Mantenga el aparato funcionando con ventilador solo durante medio día durante un día soleado para secar el aparato por dentro y evitar que se enmohezca.
3. Detenga el dispositivo y extraiga el enchufe del cable de alimentación, luego retire las baterías del control remoto y guarde el dispositivo correctamente.
4. Limpie el filtro de aire y vuelva a instalarlo.
5. Retire las mangueras de aire y guárdelas adecuadamente, y cubra bien el orificio.

## DATOS TÉCNICOS:

Capacidad de enfriamiento a BTU: 9000 BTU / hora

Capacidad de enfriamiento en vatios: 2600

Consumo de energía (refrigeración) W: 950 W

Volumen: <= 65dB

Flujo de aire: 380 m3 / h

Clase energética: A

Temporizador: 24 horas.

Peso del refrigerante R290: máx. 200 gramos



Precaución, riesgo de incendio.

NO perforar ni quemar.

Tenga en cuenta que el refrigerante puede no contener olor.

La cantidad máxima de carga de refrigerante: 200 g.



Preocupación por el medio ambiente. Por favor, lleva las cajas de cartón a un sitio de reciclaje. Las bolsas de polietileno se deben tirar al cubo de la basura amarillo (para envases). El equipo gastado debe ser entregado en el punto de almacenamiento adecuado, porque las piezas que constituyen el equipo pueden suponer un peligro para el medio ambiente. Debes entregar el equipo Hay que devolver el equipo eléctrico con el fin de evitar su reutilización. Si en el equipo se encuentran pilas, hay que sacarlas y entregar por separado, en un punto de almacenamiento adecuado. No tires el equipo al contenedor para residuos urbanos!!

## PORTUGUÊS

### CONDIÇÕES GERAIS DE SEGURANÇA

### INSTRUÇÕES IMPORTANTES DE SEGURANÇA LEIA COM ATENÇÃO E SALVE PARA O FUTURO

1. Antes de usar o dispositivo, leia o manual de operação e siga as instruções nele

- contridas. O fabricante não se responsabiliza por danos causados pelo uso do dispositivo contrário ao seu objetivo ou operação incorreta.
2. O dispositivo é apenas para uso doméstico. Não use para outros fins que não sejam para o fim a que se destina.
3. O dispositivo deve ser conectado apenas a uma tomada CA com 220 240V ~ 50Hz aterrada. Para aumentar a segurança operacional, vários dispositivos elétricos não devem ser conectados a um circuito de corrente ao mesmo tempo.
4. Tenha muito cuidado ao usar o dispositivo quando houver crianças por perto. Não permita que crianças brinquem com o dispositivo, não permita que crianças ou pessoas não familiarizadas com o dispositivo o usem.
5. AVISO: Este equipamento pode ser usado por crianças acima de 8 anos de idade e pessoas com habilidades físicas, sensoriais ou mentais limitadas, ou pessoas que não têm experiência ou conhecimento do equipamento, se isso for feito sob a supervisão de uma pessoa responsável. por sua segurança ou tenham recebido informações sobre o uso seguro do dispositivo e estão cientes dos perigos de usá-lo. As crianças não devem brincar com o equipamento. A limpeza e manutenção do dispositivo não devem ser realizadas por crianças, a menos que tenham mais de 8 anos e essas atividades sejam realizadas sob supervisão.
6. Sempre desconecte o plugue de energia segurando o soquete com a mão após o uso. NÃO puxe pelo cabo de alimentação.
7. Não mergulhe o cabo, plugue e todo o dispositivo em água ou qualquer outro líquido. Não exponha o dispositivo a condições atmosféricas (chuva, sol, etc.) ou use em condições de alta umidade (banheiros, casas móveis úmidas).
8. Verifique periodicamente as condições do cabo de alimentação. Se o cabo de alimentação estiver danificado, ele deverá ser substituído por uma oficina especializada para evitar perigos.
9. Não use o aparelho com um cabo de alimentação danificado ou se ele caiu ou foi danificado de qualquer outra maneira ou se não estiver funcionando corretamente. Não repare o dispositivo, pois existe o risco de choque elétrico. Leve o dispositivo danificado a um centro de serviço apropriado para verificação ou reparo. Todos os reparos podem ser realizados apenas por pontos de serviço autorizados. Reparos executados incorretamente podem causar sérios perigos ao usuário.
10. Coloque o dispositivo em uma superfície fria e estável, longe de utensílios de cozinha quentes, como: fogão elétrico, queimador de gás, etc.
11. Certifique-se de que nada esteja bloqueando a entrada e saída de ar do dispositivo
12. Use o dispositivo apenas em uma superfície nivelada para evitar que a condensação se espalhe
13. Para fornecer proteção adicional, é aconselhável instalar um dispositivo de corrente residual (RCD) no circuito elétrico com uma corrente residual nominal que não exceda 30mA. Peça a um electricista para isso.
14. Limpe o filtro de ar regularmente. A frequência da limpeza depende da limpeza do ar.
15. Depois de desligar a máquina, aguarde pelo menos 5 minutos antes de ligá-la

novamente.

16. Não use o dispositivo em locais ensolarados. Quando o dispositivo superaquece, a proteção contra superaquecimento liga o dispositivo.

17. Para garantir um resfriamento eficaz, deve-se manter uma distância de pelo menos 60 cm entre as paredes laterais do dispositivo e a parede ou móveis ou cortinas.

18. Devido ao desempenho limitado do dispositivo, se a diferença entre a temperatura alvo e a temperatura ambiente for muito alta, a temperatura alvo poderá não ser alcançada.

19. Para reduzir o risco de incêndio, choque elétrico ou lesão ao usar o ar condicionado, observe as seguintes precauções básicas:

- a) Conecte a uma tomada aterrada com 3 pinos.
- b) Não remova o pino de aterramento.
- c) Não use o adaptador.
- d) Não use um cabo de extensão.
- e) Desconecte o ar condicionado antes de fazer a manutenção.
- f) Use duas ou mais pessoas para mover e instalar o ar condicionado.

20. Não use agentes que acelerem o processo de degelo ou limpeza, além dos recomendados pelo fabricante.

21. O dispositivo deve ser armazenado em uma sala sem fontes de ignição em operação constante, por exemplo: fogo aberto, eletrodomésticos a gás ou aquecedores elétricos.

ANTES DO PRIMEIRO USO - (figura E)

Conecte os conectores ao duto de exaustão de ar da seguinte maneira:

1. Estenda o duto de exaustão de ar (10) desenhando as duas extremidades do duto.
2. Aparafuse o duto de exaustão de ar (10) no conector do duto de exaustão de ar (11).
3. Conecte o conector do duto de exaustão de ar (11) ao dispositivo.

OBSERVAÇÕES:

1. Mantenha a unidade a pelo menos 1 metro de distância da TV ou rádios para evitar interferência eletromagnética.
  2. Não exponha a unidade à luz direta do sol para evitar o desbotamento da cor da superfície.
  3. Não incline a unidade a mais de 35 ° ou de cabeça para baixo durante o transporte. Se o dispositivo foi virado durante o transporte, coloque-o corretamente e aguarde 2-4 horas antes de iniciá-lo.
  4. Coloque a unidade em uma superfície plana com inclinação menor que 5 °.
  5. A unidade opera com mais eficiência em determinadas localizações da sala, selecione a melhor localização:
    - Ao lado de uma janela, uma porta ou uma janela francesa.
    - Mantenha a distância necessária entre a saída de ar de retorno e a parede ou outros obstáculos, pelo menos, 60 cm.
    - Estenda a mangueira de ar para garantir que a outra extremidade da mangueira de ar fique livre entre a porta da janela, a janela francesa ou o orifício da parede.
    - A saída ou entrada de ar não pode ser bloqueada pela grade de proteção ou por qualquer obstáculo.
- Para prolongar a vida útil da unidade, drene a água condensada dos orifícios de drenagem do resfriador superior (8) e inferior (9) antes de colocar a unidade em armazenamento no final da temporada.

DESCRIÇÃO DO DISPOSITIVO (figuras A e B)

- |  |  |
|--|--|
| 1. Painel de controle                  | 2. Saída de ar frio                              |
| 3. Receptor de sinal                   | 4. Controle remoto                               |
| 5. Alça de transporte                  | 6. Duto de exaustão                              |
| 7. Entrada do evaporador               | 8. Orifício de drenagem do refrigerador superior |
| 9. Orifício de drenagem mais frio      | 10. Duto de exaustão de ar                       |
| 11. Conector do duto de exaustão de ar | 12. Adaptador de exaustão da janela              |

PAINEL DE CONTROLE (figura C)

- |   |  |
|---|--|
| A. Botão liga / desliga ON / OFF                    | B. Botão de velocidade do ventilador             |
| C. Botão de modo                                    | D. Botão de temporizador / temperatura para cima |
| E. Botão para desligar o temporizador / temperatura | F. Botão para baixa velocidade                   |

G. Botão de alta velocidade

I. Botão de suspensão e bloqueio infantil

K. Modo frio

M. Modo de ventilação

O. Botão de oscilação

H. Indicador de energia

J. Modo automático

L. Modo desumidificar

N. Botão do temporizador

P. Bloqueio infantil

## CONTROLADOR REMOTO - foto D

O controle remoto transmite sinais para o sistema.

Botão "A" - o aparelho será iniciado quando estiver energizado ou será parado quando estiver em operação, se você pressionar este botão.

Botão "C" - pressione para selecionar o modo de operação: "J", "K", "L" ou "M".

Botão "B" - pressione para selecionar a velocidade do ventilador em sequência.

Botão "D" / "E" - pressione para ajustar a temperatura ambiente e o temporizador.

Botão "I" - pressione para definir ou cancelar o modo de suspensão.

Botão "N" - pressione para definir o tempo de desligamento automático e ativado automaticamente.

Botão "O" - pressione para definir ou cancelar o modo de balanço das persianas.

## FUNCIONAMENTO DO PAINEL DE CONTROLE

### AUTOMÁTICO / FRESCO / SECO / VENTILADOR

1. Ligue o dispositivo.

a) Conecte o dispositivo e depois o dispositivo emite um sinal sonoro. A luz de energia "H" está acesa.

b) Pressione o botão "A" e o dispositivo ligará.

c) O diodo LED exibe a temperatura ambiente e começa a trabalhar no modo automático.

2. Escolha o modo de operação

Pressione o botão "C" para selecionar o modo de operação desejado por sequência:

Modo automático "J" -> Modo de refrigeração "K" -> Modo de secagem "L" -> Modo de ventilação "M."

3. Ajuste a temperatura

A temperatura pode ser ajustada dentro de uma faixa de 15 ° -31 ° C. Pressione o botão "D" ou "E" para aumentar ou diminuir a temperatura em 1 ° C pressionando uma vez. O painel de LED do dispositivo mostra a temperatura alvo por 5 segundos e depois exibe a temperatura ambiente.

4. Ajuste a velocidade do ventilador

Pressione o botão "B" para selecionar a velocidade do ventilador desejada, por sequência:

Baixa velocidade "F" -> Alta velocidade G

5. Potência

Quando você pressiona novamente o botão "A", o dispositivo soa "di", o indicador de energia "H" apaga e para de funcionar.

6. Pressione este botão "I" para entrar no modo de suspensão do dispositivo.

7. Pressione este botão "N" para definir um desligamento programado.

8. Pressione este botão "O" para ajustar a oscilação do balanço de ar para cima e para baixo.

Cada princípio de funcionamento do modo:

Modo "J" automático:

Uma vez selecionada a operação "J", o sensor de temperatura interno opera automaticamente e seleciona um dos modos de operação abaixo:

- Quando a temperatura ambiente for  $\geq 24$  °C, a unidade selecionará automaticamente o modo "K" do modo legal.

ou

- Quando a temperatura ambiente  $< 24$  °C, a unidade selecionará automaticamente o modo de alta velocidade do ventilador "M".

Desumidificar o modo "L":

1. O ventilador centrífugo para cima funcionará em baixa velocidade e a velocidade não pode ser ajustada.

2. O compressor irá parar após 8 minutos e, em seguida, novamente após 6 minutos.



3. O dispositivo adota o modo de desumidificação de temperatura constante, e o ajuste da temperatura não é eficaz.

#### AVISO:

Ao operar o dispositivo em condições de umidade variável, o orifício de drenagem do resfriador (9) deve estar constantemente aberto e garantir a drenagem constante da água.

#### Modo "K" FRESCO:

1. Quando a temperatura ambiente é superior à temperatura definida no painel de controle, o compressor começa a funcionar.
2. Quando a temperatura ambiente é inferior à temperatura definida no painel de controle, o compressor para e o ventilador superior opera na velocidade definida original.

#### Ventile o modo "M..":

1. O ventilador centrífugo para cima funciona na velocidade definida e o compressor não funciona.
2. O ajuste da temperatura não é eficaz.

#### Operação do temporizador "N":

1. Pressione o botão "N" para definir o tempo de desligamento automático enquanto a unidade estiver em funcionamento.
2. Pressione o botão "N" para definir o tempo de ativação automática enquanto a unidade estiver pronta.
3. O tempo pode ser ajustado dentro de um intervalo de 1 hora a 24 horas, pressionando o botão "D" ( + ) ou "E" ( - ) .

#### Operação "I" no modo de suspensão e função de bloqueio infantil:

1. O modo de suspensão opera quando a unidade está no modo "K" de resfriamento.
2. Pressione o botão "I" no modo frio "K", a unidade funcionará no modo de suspensão e o ventilador centrífugo para cima passará para a velocidade baixa automaticamente. A temperatura definida aumentará 1 °C após uma hora e aumentará 2 °C após duas horas. Após seis horas, a unidade para de funcionar.
3. Pressione o botão de trava infantil "I" por três segundos para que todas as outras funções não possam ser usadas. Pressione por 3 segundos novamente para desbloquear a função de bloqueio infantil, enquanto todas as outras funções poderão usar novamente.

#### Operação no modo Swing "O":

Quando o dispositivo estiver ligado, pressione o botão "O", a persiana vertical será ligada ou desligada. Quando está ligada, a grelha pode girar para frente e para trás dentro de 60 graus. Pressione o botão "O" novamente, a grelha irá parar de girar.

#### Aviso prévio:

A placa de controle principal possui função de memória, quando o dispositivo está pronto para ser executado, mas no status de parada, a placa de controle principal pode memorizar a inicialização do modo de trabalho. Quando você liga a unidade, ela funciona como a mesma promulgação do modo de trabalho da última vez, sem a necessidade de redefinir o modo de trabalho novamente. (Esta condição não está disponível quando a unidade está no modo AUTO "J".)

#### CONTROLE REMOTO

1. Deslize a tampa traseira para abrir e retirar o filme isolante das baterias.
  2. Coloque as pilhas dentro do slot, devem corresponder aos sinais de "+" e "-" no controle remoto.
  3. Por muito tempo sem uso, retire as pilhas.
  4. Para evitar a poluição ambiental, retire as baterias usadas e descarte a segurança de forma adequada.
- Para operar o dispositivo, aponte o controle remoto (..) para o receptor de sinal. O controle remoto operará o dispositivo a uma distância de 5 metros quando apontar para o receptor de sinal do dispositivo.

## DISPOSITIVOS DE PROTEÇÃO

O dispositivo de proteção pode tropeçar e parar o aparelho nos casos listados abaixo:

1. no modo de resfriamento: a temperatura do ar interno é superior a 43 ° C (109 ° F)
2. no modo de resfriamento: a temperatura ambiente é inferior a 15 ° C (59 ° F)
3. no modo desumidificador: a temperatura ambiente é inferior a 15 ° C (59 ° F).

Se o dispositivo funcionar no modo "K" de resfriamento ou desumidificar o modo "L" com a porta ou janela aberta por um longo período em que a umidade relativa estiver acima de 80%, o orvalho poderá pingar da tomada.

O dispositivo de proteção funcionará nos seguintes casos:

1. Reinicie o dispositivo imediatamente após parar o trabalho ou alterar o modo selecionado durante o trabalho, aguarde 3 minutos.
2. Se o plugue foi removido, após reiniciar o dispositivo retornará ao modo original, TIMER ON e TIMER OFF - devem ser ajustados novamente.

**OBSERVAÇÃO:** há reciclagem de água condensada escondida nesta unidade. A água de condensação é parcialmente mantida reciclando entre o condensador e a placa de água. Quando o nível da água sobe para o nível superior, o interruptor de bóia e o indicador de água cheia (E4) acendem para lembrar a drenagem da água. Desligue a fonte de alimentação, mova o aparelho para um local adequado, remova o bujão de drenagem, drene completamente a água. Após o dreno, reinstale o plugue, ou o aparelho poderá vaziar e molhar o seu quarto.

Se o aparelho estiver em uma posição que admita água de drenagem, você também poderá conectar o orifício de drenagem à porta de drenagem para drenar a água. O tubo de drenagem é adicionado ao kit, com diâmetro interno de 9mm, diâmetro externo de 12mm, material: PVC.

### Solução de problemas

1) Problema: Não funciona.

Análise:

- a) talvez o disparo ou o fusível do protetor esteja queimado, aguarde 3 minutos e inicie novamente, o dispositivo protetor pode estar impedindo o funcionamento do dispositivo.
- c) talvez as pilhas do controle remoto estejam gastas.
- d) talvez o plugue não esteja conectado corretamente.

2) Problema: funciona apenas por um curto período de tempo

Análise:

- a) se a temperatura definida estiver próxima da temperatura ambiente, você poderá abaixá-la.
- b) talvez a saída de ar esteja obstruída por obstáculos. Tire o obstáculo.

3) Problema: Funciona, mas não esfria

Análise:

- a) talvez a porta ou a janela esteja aberta.
- b) talvez a pouca distância, haja outro aparelho que funcione a quente como aquecedor ou lâmpada, etc.
- c) o filtro de ar está sujo, limpe-o.
- d) a entrada ou saída de ar está bloqueada.
- f) a temperatura definida está muito alta.

4) Problema: vazamento de água durante o movimento.

Análise:

- a) drene o condensado antes de movê-lo.
- b) para evitar vazamento de água, localize o dispositivo em terreno plano.

5) Problema: Não trabalhe e regue o indicador "E4"

Análise:

- a) retire o bujão de borracha para drenar a água.
- b) se estiver freqüentemente nesse estado, entre em contato com o serviço técnico qualificado.

### Solução de problemas

6) Problema: o dispositivo falha ao iniciar.

Análise:

- a) talvez não esteja conectado. Então, conecte-o.
  - b) talvez danos na tomada ou na tomada. Substitua pelo provedor de serviços.
  - c) talvez fusível quebrado. Substitua o fusível pelo provedor de serviços (especificação: 3,15A / 250VAC).
- 7) Problema: o dispositivo para automaticamente.

Análise:

- a) tempo desligado ou temperatura definida atingida. Reinicie ou aguarde a troca automática.
- 8) Problema: não há ar frio no modo COOL "K".

Análise:

- a) a temperatura ambiente é inferior à temperatura definida. É um fenômeno normal, a máquina comutará automaticamente enquanto a temperatura ambiente for superior à temperatura definida.
  - b) O dispositivo entra em proteção anticongelante. O dispositivo comutará automaticamente após o término da proteção anticongelante.
- 9) Problema: o LED exibe o código de falha "E2"

Análise:

- a) o sensor de temperatura ambiente falha ou danifica. Substitua o sensor de temperatura ambiente pelo provedor de serviços.

10) Problema: o LED exibe o código de falha "E3"

Análise:

- a) o sensor do tubo de óleo do evaporador falha ou está danificado. Substitua o sensor do tubo da bobina do evaporador pelo provedor de serviços.

11) Problema: o LED exibe o código de falha "E4"

Análise:

- a) aviso cheio de água. Escorra a água.

## LIMPEZA E MANUTENÇÃO

Manutenção do dispositivo

1. Desligue o dispositivo antes de desconectar a fonte de alimentação.
2. Limpe com um pano macio e seco. Use água morna abaixo de 40 ° C para limpar se o aparelho estiver muito sujo.
3. Nunca use substância volátil, como gasolina ou pó de polimento, para limpar o dispositivo.

Manutenção do filtro de ar

É necessário limpar o filtro de ar a cada 2 semanas se o dispositivo operar em um ambiente extremamente poeirento. Limpe da seguinte maneira:

1. Pare o dispositivo primeiro, empurre o filtro de ar (Figura F).
2. Limpe e reinstale o filtro de ar.
3. Se a sujeira for visível, lave-a com uma solução de detergente em água morna. Após a limpeza, seque-o em um local sombreado e fresco e reinstale-o.

Manutenção após o uso

1. Se o dispositivo não for utilizado por mais tempo, retire o bujão de borracha do orifício de drenagem do resfriador superior (8) e o orifício de drenagem do resfriador (9) da porta de drenagem, para drenar a água. .
2. Mantenha o aparelho funcionando com ventilador apenas por meio dia durante um dia ensolarado para secar o aparelho por dentro e evitar que fique mofado.
3. Pare o dispositivo e retire o plugue do cabo de alimentação, retire as pilhas do controle remoto e guarde o dispositivo adequadamente.
4. Limpe o filtro de ar e reinstale-o.
5. Remova as mangueiras de ar, armazene-as adequadamente e cubra o orifício firmemente.

## DADOS TÉCNICOS:

Capacidade de refrigeração em BTU: 9000 BTU / hora

Capacidade de refrigeração em watts: 2600

Consumo de energia (refrigeração) W: 950 W

Volume: <= 65dB



Fluxo de ar: 380 m<sup>3</sup> / h

Classe energética: A

Temporizador: 24 horas

Peso do líquido de refrigeração R290: máx. 200 gramas

Cuidado, risco de incêndio.

NÃO fure ou queime.

Esteja ciente de que o refrigerante pode não conter odor.

A quantidade máxima de carga de refrigerante: 200g.



Proteção do meio ambiente. Rogamos, os embalagens de cartão destinem-se para papéis velhos. Os sacos de polietileno (PE) devem-se colocar em contenedores para material plástico. O dispositivo usado deve-se levar a um ponto de armazenamento adequado porque os componentes perigosos que ficam dentro do dispositivo podem ser perigosos para o meio ambiente. O dispositivo elétrico deve-se entregar de modo que se reduza a sua nova utilização e uso. Se no dispositivo há pilhas, devem-se tirar e levar a um ponto de armazenamento em separado. Não colocar o dispositivo em contenedores para resíduos municipais!!

## LIETUVIŲ

### BENDROSIS SAUGOS SĄLYGOS

**SVARBIOS SAUGOS INSTRUKCIJOS ATSARGIAI** Perskaitykite ir išsaugokite ateičiai

1. Prieš naudodamiesi prietaisu, perskaitykite naudojimo vadovą ir vykdykite jame pateiktas instrukcijas. Gamintojas neatsako už žalą, padarytą naudojant įrenginį ne pagal paskirtį ar netinkamai naudojant.
2. Prietaisas skirtas naudoti tik namuose. Nenaudokite kitiems tikslams, kurie nėra numatyti.
3. Prietaisą reikia prijungti tik prie įžeminto 220 240 V ~ 50 Hz lizdo. Norint padidinti eksploataavimo saugą, keli elektros prietaisai neturėtų būti jungiami prie vienos srovės grandinės tuo pačiu metu.
4. Būkite ypač atsargūs naudodamiesi prietaisu, kai šalia yra vaikai. Neleiskite vaikams žaisti su šiuo prietaisu, neleiskite vaikams ar žmonėms, nepažįstamiems prietaiso, ju naudotis.
5. ĮSPĖJIMAS: Šia įranga gali naudotis vyresni nei 8 metų vaikai ir ribotų fizinių, jutimo ar protinių galimybių žmonės arba žmonės, neturintys patirties ar žinių apie įrangą, jei tai atliekama prižiūrint atsakingam asmeniui. Jų saugumui ar jiems buvo suteikta informacija apie saugų prietaiso naudojimą ir žino apie jo naudojimo pavojus. Vaikai neturėtų žaisti su įranga. Valyti ir prižiūrėti prietaisą neturėtų vaikai, išskyrus tuos atvejus, kai jie yra vyresni nei 8 metų, o šios veiklos atliekamos prižiūrint.
6. Po naudojimo visada atjunkite maitinimo kištuką, laikydami už rankos lizdą. **NENUDIRKITE** maitinimo laido.
7. Nemerkite laido, kištuko ir viso prietaiso į vandenį ar kitą skystį. Saugokite prietaisą nuo atmosferos sąlygų (lietaus, saulės ir pan.) Ir nenaudokite didelės drėgmės sąlygomis (vonios kambariai, drėgni mobilūs namai).
8. Periodiškai tikrinkite maitinimo laido būklę. Jei maitinimo laidas yra pažeistas, jį reikia pakeisti specializuotoje remonto dirbtuvėje, kad būtų išvengta pavojaus.
9. Nenaudokite prietaiso su pažeistu maitinimo laidu, jei jis buvo numestas ar kitaip pažeistas, arba jis veikia netinkamai. Netaisykite prietaiso patys, nes kyla elektros smūgio rizika. Nuvežkite sugadintą prietaisą į tinkamą aptarnavimo centrą patikrinti ar pataisyti. Visus remonto darbus gali atlikti tik įgalioti techninės priežiūros punktai. Neteisingai atliktas remontas gali sukelti rimtą pavojų vartotojui.
10. Padėkite prietaisą ant vėsių, stabilių paviršių, atokiau nuo karštų virtuvės prietaisų, tokių kaip: elektrinė voryklė, dujinis degiklis ir kt.

11. Įsitinkite, kad niekas neužstoja prietaiso oro įleidimo ir išleidimo angos
12. Naudokite prietaisą tik ant lygaus paviršiaus, kad nesusidarytų kondensatas
13. Norint užtikrinti papildomą apsaugą, patartina į elektros grandinę įmontuoti likutinės srovės įtaisą (RCD), kurio vardinė likutinė srovė neviršytų 30mA. Dėl to kreipkitės į elektriką.
14. Reguliariai valykite oro filtrą. Valymo dažnumas priklauso nuo oro švara.
15. Išjungę mašiną, prieš vėl įjungdami, palaukite bent 5 minutes.
16. Nenaudokite prietaiso saulėtose vietose. Kai prietaisas perkaista, apsauga nuo perkaitimo įjungs įrenginį.
17. Kad būtų užtikrintas efektyvus aušinimas, tarp prietaiso šoninių sienelių ir sienos, baldų ar užuolaidų turėtų būti laikomas ne mažesnis kaip 60 cm atstumas.
18. Dėl riboto prietaiso veikimo, jei tikslinės ir aplinkos temperatūros skirtumas yra per didelis, tikslinė temperatūra gali būti nepasiekta.
19. Norėdami sumažinti gaisro, elektros smūgio ar sužeidimo riziką, kai naudojate oro kondicionierių, laikykitės šių pagrindinių atsargumo priemonių:
  - a) Prijunkite prie įžeminto lizdo 3 kaiščiais.
  - b) Nenuimkite įžeminimo gnybto.
  - c) Nenaudokite adapterio.
  - d) Nenaudokite ilgintuvo.
  - e) Prieš atlikdami techninę priežiūrą, atjunkite oro kondicionierių.
  - f) Norėdami perkelti ir sumontuoti oro kondicionierių, naudokite du ar daugiau žmonių.
20. Nenaudokite agentų, kurie pagreitina atitirpinimo ar valymo procesą, išskyrus tuos, kuriuos rekomenduoja gamintojas.
21. Prietaisą reikia laikyti kambaryje, kuriame nėra nuolat veikiančių uždegimo šaltinių, pavyzdžiui: atvira ugnis, dujiniai prietaisai ar elektriniai šildytuvai.

#### PRIEŠ PIRMAJĮ NAUDOJIMĄ - (E paveikslas)

Prijunkite jungtis prie oro išmetimo ortakio taip:

1. Ištraukite oro išleidimo kanalą (10), ištraukdami du ortakio galus.
2. Įsukite oro išleidimo kanalą (10) į oro išleidimo kanalo jungtį (11).
3. Prijunkite oro išleidimo kanalo jungtį (11) prie prietaiso.

#### PASTABOS:

1. Laikykitės įrenginį mažiausiai 1 metro atstumu nuo televizoriaus ar radijo imtuvo, kad išvengtumėte elektromagnetinių trukdžių.
  2. Nelaikykitės įrenginio tiesioginiuose saulės spinduliuose, kad paviršiaus spalva neišbluktų.
  3. Veždami negalima pakreipti įrenginio daugiau nei 35 ° arba aukštyr kojomis. Jei gabenimo metu prietaisas buvo apverstas, padėkite jį teisingai ir palaukite 2–4 valandas prieš pradėdami.
  4. Padėkite įrenginį ant lygaus paviršiaus, kurio polinkis mažesnis nei 5 °.
  5. Įrenginys efektyviau veikia tam tikrose kambario vietose, pasirinkite geriausią vietą:
    - Šalia lango, durų ar prancūziško lango.
    - Laikykitės bent 60 cm atstumu nuo grįžtančio oro išleidimo angos iki sienos ar kitų kliūčių.
    - Ištieskite oro žarną, kad įsitikintumėte, jog kitame oro žarnos gale yra prošvaisa tarp lango durų, prancūziško lango ar sienos angos.
    - Oro išleidimo angos ar įsiurbimo angos negalima užblokuoti apsauginėmis grotelėmis ar jokiomis kliūtimis.
- Norėdami prailginti įrenginio eksploatavimo laiką, prieš dėdami įrenginį sezono pabaigoje, išleiskite kondensuotą vandenį iš viršutinių (8) ir apatinių (9) aušintuvų išleidimo angų.

#### ĮRENGIMO APRAŠAS (A ir B paveikslai)

- |                                   |                                       |
|-----------------------------------|---------------------------------------|
| 1. Valdymo pultas                 | 2. Šalto oro išleidimo anga           |
| 3. Signalo receptorius            | 4. Nuotolinis valdiklis               |
| 5. Transportavimo rankena         | 6. Išmetimo kanalas                   |
| 7. Garintuvo įėjimas              | 8. Viršutinė aušintuvo išleidimo anga |
| 9. Aušintuvo išleidimo anga žemyn | 10. Oro išleidimo kanalas             |

## VALDYMO SKYDELIS (C paveikslas)

A. Įjungimo / išjungimo mygtukas

C. Režimo mygtukas

E. Laikmačio / temperatūros mažinimo mygtukas

G. Greitaeigis mygtukas

I. Miego mygtukas ir užraktas nuo vaikų

K. Aušinimo režimas

M. Ventilatoriaus režimas

O. Svyravimo mygtukas

B. Įjungimas / išjungimas B. Ventilatoriaus greičio mygtukas

D. Laikmačio / temperatūros padidinimo mygtukas

F. Žemo greičio mygtukas

H. Maitinimo indikatorius

J. Automatinis režimas

L. Sausinimo režimas

N. Laikmačio mygtukas

P. Vaiko užraktas

Nuotolinis valdiklis - D paveikslas

Nuotolinis valdiklis perduoda signalus į sistemą.

Mygtukas „A“ - prietaisas bus įjungtas, kai jis bus sustabdytas, kai jis veiks, jei paspausite šį mygtuką.

Mygtukas „C“ - paspauskite jį, kad pasirinktumėte darbo režimą: „J“, „K“, „L“ arba „M..“.

Mygtukas „B“ - paspauskite jį, kad iš eilės pasirinktumėte ventilatoriaus greitį.

Mygtukas „D“ / „E“ - paspauskite, kad sureguliuotumėte kambario temperatūrą ir laikmatį.

Mygtukas „I“ - paspauskite, jei norite nustatyti arba atšaukti miego režimą.

Mygtukas „N“ - paspauskite, kad nustatytumėte automatinio išjungimo ir įjungimo laiką.

Mygtukas „O“ - paspauskite, jei norite nustatyti arba atšaukti žaliuzių pasukimo režimą.

## KONTROLĖS LENGVO VEIKIMAS

## AUTOMATINIS / VĖSAS / SAUSAS / VENTILIATORIUS

1. Įjunkite įrenginį.

a) Prijunkite prietaisą ir tada prietaisas vieną kartą pypiteli. Dega lemputė „H“.

b) Paspauskite mygtuką „A“, tada įrenginys įsijungs.

c) LED diodas rodo kambario temperatūrą ir pradeda veikti automatinio režimu.

2. Pasirinkite darbo režimą

Paspauskite mygtuką „C“, kad iš eilės pasirinktumėte norimą veikimo režimą:

Automatinis „J“ režimas -&gt; Aušinimo režimas „K“ -&gt; Džiovinimo režimas „L“ -&gt; Ventilatoriaus režimas „M..“

3. Sureguliuokite temperatūrą

Temperatūrą galima nustatyti 15–31 °C intervale. Paspauskite „D“ arba „E“ mygtuką, norėdami padidinti arba sumažinti temperatūrą 1 °C, vieną kartą paspausdami. Įrenginio LED skydelyje 5 sekundes rodoma tikslinė temperatūra, o tada rodoma kambario temperatūra.

4. Sureguliuokite ventilatoriaus greitį

Paspauskite mygtuką „B“, norėdami pasirinkti norimą ventilatoriaus greitį, rodomą seka:

Mažas greitis „F“ -&gt; Greitasis G

5. Jėga

Dar kartą paspaudus mygtuką „A“, prietaisas pasigirs „di“, maitinimo indikatorius „H“ užges ir nustos veikti.

6. Paspauskite šį mygtuką „I“, kad įjungtumėte įrenginio miego režimą.

7. Paspauskite šį mygtuką „N“, kad nustatytumėte laiko išjungimą.

8. Paspauskite šį mygtuką „O“, kad nustatytumėte oro svyravimo virpesį aukštyn.

Kiekvieno režimo veikimo principas:

AUTO „J“ režimas:

Kai pasirenkamas veikimas „J“, vidaus temperatūros jutiklis veikia automatiškai ir pasirenka vieną iš žemiau esančių darbo režimų:

- Kai kambario temperatūra  $\geq 24$  , įrenginys automatiškai pasirenka vėsinimo režimą „K“.

arba

- Kai kambario temperatūra  $< 24$  , įrenginys automatiškai pasirenka didelio ventilatoriaus greičio režimą „M..“.

„L“ režimo sausinimas:

1. Išcentrinis ventilatorius veiks mažu greičiu, o greičio negalima sureguliuoti.

2. Kompresorius sustos po 8 minučių veikimo, po 6 minučių vėl suveikia..

3. Prietaisas perima pastovų temperatūros sausinimo režimą, o temperatūros reguliavimas nėra efektyvus.

ĮSPĖJIMAS:

Kai įrenginys veikia kintančios drėgmės sąlygomis, aušintuvo išleidimo anga žemyn (9) turėtų būti nuolat atidaryta ir užtikrinti nuolatinį vandens nutekėjimą.

„KOL“ režimas:

1. Kai kambario temperatūra yra aukštesnė nei nustatyta valdymo pulte, kompresorius pradeda veikti.
2. Kai kambario temperatūra yra žemesnė nei nustatyta valdymo pulte, kompresorius sustojimas ir viršutinis ventiliatorius veikia pradiniu nustatytu greičiu.

Ventiliatoriaus "M..." režimas.

1. Išcentrinis ventiliatorius veikia nustatytu greičiu, o kompresorius neveikia.
2. Temperatūros reguliavimas nėra efektyvus.

Laikmačio veikimas "N":

1. Paspauskite „N“ mygtuką, kad nustatytumėte automatinio išjungimo laiką, kol įrenginys veikia.
2. Paspauskite „N“ mygtuką, kad nustatytumėte automatinio įjungimo laiką, kol įrenginys yra paruoštas.
3. Laiką galima nustatyti nuo 1 valandos iki 24 valandos, paspaudus mygtuką „D“ ( + ) arba „E“ ( - ) .

Miego režimo „I“ veikimas ir vaiko užrakto funkcija:

1. Miego režimas veikia, kai įrenginys yra aušinamas „K“ režimu.
2. Paspauskite mygtuką „I“ vėsiam režime „K“, tada įrenginys veiks miego režimu, o išcentrinis ventiliatorius automatiškai pasisuks žemu greičiu. Nustatyta temperatūra po valandos padidės 1 °C, o po dviejų valandų padidės 2 °C. Po šešių valandų įrenginys nustos veikti.
3. Norėdami išjungti visas kitas funkcijas, tris sekundes paspauskite vaikų užrakto mygtuką „I“. Dar kartą paspaudę 3 sekundes, atrakinsite vaiko užrakto funkciją, tuo tarpu visas kitas funkcijas vėl galėsite naudoti.

„O“ režimo veikimas:

Kai prietaisas įjungtas, paspauskite mygtuką „O“, vertikali žaliuzė įsijungs arba išsijungs. Kai jis įjungtas, žaliuzė gali pasisukti pirmyn ir atgal per 60 laipsnių. Dar kartą paspauskite mygtuką „O“, žaliuzė nustos sukstis.

Pastebėti:

Pagrindinė valdymo plokštė turi atminties funkciją, kai įrenginys yra paruoštas veikti, tačiau yra sustabdytas, pagrindinė valdymo plokštė gali įsiminti pradinį darbo režimą. Kai įjungsite įrenginį, jis veiks taip pat, kaip ir paskutinį kartą, nebereikės iš naujo nustatyti darbo režimo. (Ši sąlyga negalima, kai įrenginys veikia automatinio režimu „J“.)

Nuotolinis valdiklis

1. Paslinkite galinį dangtelį, kad atidarytumėte ir nuimkite nuo baterijų izoliacinę plėvelę.
2. Įdėkite baterijas į lizdo vidų, jie turi atitikti „+“ ir „-“ ženklus ant nuotolinio valdymo pulto.
3. Ilgai nenaudodami išimkite baterijas.
4. Norėdami išvengti aplinkos taršos, išimkite panaudotas baterijas ir tinkamai ir saugiai išmeskite.

Norėdami valdyti prietaisą, nukreipkite nuotolinio valdymo pultą (..) į signalo receptorių. Nuotolinio valdymo pultas valdys įrenginį 5 metrų atstumu, kai nukreipia į prietaiso signalo receptorių.

APSAUGOS PRIETAISAI

Apsauginis įtaisas gali suveikti ir sustabdyti prietaisą šiais atvejais:

1. aušinimo režimu: vidaus oro temperatūra yra didesnė kaip 43 ° C (109 ° F)
2. aušinimo režimu: kambario temperatūra yra žemesnė nei 15 ° C (59 ° F)
3. sausinimo režimu: kambario temperatūra yra žemesnė kaip 15 ° C (59 ° F).

Jei prietaisas veikia aušindamas „K“ arba sausindamas „L“ režimą, atidaręs duris ar langą ilgą laiką, kai santykinė oro drėgmė yra didesnė nei 80%, iš išleidimo angos gali lašėti rasa.

Apsauginis įtaisas veiks šiais atvejais:

1. Iš naujo paleisdami įrenginį iš karto po darbo nutraukimo arba pasirinkto režimo pakeitimo dirbdami, turite palaukti 3 minutes.
2. Jei kištukas buvo išimtas, iš naujo paleidus prietaisą grįš į pradinį režimą, reikia vėl nustatyti „TIMER ON“ ir

„TIMER OFF“.

**PASTABA:** šiame įrenginyje paslėptas kondensacinis vanduo. Kondensacinis vanduo yra iš dalies perdirbamas tarp kondensatoriaus ir vandens plokštės. Kai vandens lygis pakyla iki viršutinio lygio, užsidega plūdinis jungiklis ir viso vandens indikatorius (E4), kad būtų priminta apie nutekėjusį vandenį. Nutraukite maitinimą, perkeltkite prietaisą į tinkamą vietą, išimkite išleidimo kamštį, visiškai išleiskite vandenį. Po kanalizacijos pakartotinai įstatykite kištuką, kitaip prietaisas gali nutekėti ir padaryti jūsų kambarį drėgną.

Jei prietaisas pastatytas tokioje vietoje, kad vanduo galėtų patekti, jūs taip pat galite prijungti kanalizacijos angą prie kanalizacijos angos, kad nutekėtų vanduo. Į komplektą pridodamas išleidimo vamzdis, kurio vidinis skersmuo 9 mm, išorinis skersmuo 12 mm, medžiaga: PVC.

**Problemų sprendimas**

1) Bėda: nedirbkite.

Analizė:

- a) gali būti, kad apsaugos elemento jungiklis ar saugiklis sudegė, palaukite 3 minutes ir vėl paleiskite, apsauginis įtaisas gali neleisti prietaisui veikti.
- c) gal išėikvos nuotolinio valdymo pulto baterijos.
- d) gal kištukas netinkamai įkištas.

2) Gedimas: veikia tik trumpą laiką

Analizė:

- a) jei nustatyta temperatūra yra artima kambario temperatūrai, galite ją sumažinti.
- b) gal kliūtis užstoja oro išleidimą? Pašalinkite kliūtį.

3) Gedimas: Veikia, bet ne vėsina

Analizė:

- a) galbūt durys ar langas yra atviri.
- b) gal arti yra kitas šilumą veikiančias prietaisas, pavyzdžiui, šildytuvas ar lempa ir pan.
- c) nešvarus oro filtras, išvalykite.
- d) oro išleidimo anga ar įsiurbimo anga užblokuotos.
- f) nustatyta temperatūra yra per aukšta.

4) Gedimas: vandens nutekėjimas judant.

Analizė:

- a) prieš judant, nusauskite kondensatą.
- b) Norėdami išvengti vandens nutekėjimo, prietaisą raskite ant lygaus paviršiaus.

5) Gedimas: nedirbkite ir pilnas vandens indikatorius „E4“

Analizė:

- a) ištraukite guminį kaištį, kad nutekėtų vanduo.
- b) jei dažnai būna tokia būsena, kreipkitės į kvalifikuotą techninės priežiūros specialistą.

**Problemų sprendimas**

6) Gedimas: prietaisas neįsijungia.

Analizė:

- a) gal neprijungtas. Taigi, įjunkite jį.
- b) gali būti pažeisti kištukai ar lizdai. Pakeiskite paslaugų teikėju.
- c) gali sulūžti saugiklis. Pakeiskite paslaugų teikėjo saugiklį (specifikacija: 3,15A / 250 VAC).

7) Gedimas: įrenginys automatiškai sustoja.

Analizė:

- a) išjungti laiką arba pasiekti nustatytą temperatūrą. Paleiskite jį iš naujo arba palaukite automatinio perjungimo.
- 8) Gedimas: šalto oro nėra šalto „K“ režimu.

Analizė:

- a) kambario temperatūra yra žemesnė už nustatytą. Tai yra normalus reiškinys, mašina automatiškai persijungia, kai kambario temperatūra yra aukštesnė už nustatytą.
- b) Įrenginys apsaugo nuo užšalimo. Pasibaigus apsaugai nuo užšalimo, prietaisas automatiškai persijungs.

9) Gedimas: šviesos diodas rodo gedimo kodą „E2“

Analizė:



a) kambario temperatūros jutiklis sugenda arba sugadinamas. Pakeiskite paslaugų teikėjo kambario temperatūros jutiklį.

10) Gedimas: šviesos diodas rodo gedimo kodą „E3“

Analizė:

a) garintuvo alyvos vamzdžio jutiklis sugenda arba yra sugadintas. Pakeiskite garintuvo ritės vamzdžio jutiklį.

11) Gedimas: šviesos diodas rodo gedimo kodą „E4“

Analizė:

a) perspėjimas apie pilną vandens. Nusausinkite vandenį.

## VALYMAS IR PRIEŽIŪRA

Įrenginio priežiūra

1. Prieš atjungdami nuo maitinimo, pirmiausia išjunkite įrenginį.

2. Nuvalykite minkšta ir sausa šluoste. Jei prietaisas labai nešvarus, valykite drungnu vandeniu, kurio temperatūra žemesnė nei 40 ° C.

3. Niekada nevalykite prietaiso lakiųjų medžiagų, tokių kaip benzinas ar blizginimo milteliai.

Oro filtrų priežiūra

Oro filtrą būtina valyti kas 2 savaites, jei prietaisas veikia ypač dulkelioje aplinkoje. Valoma taip:

1. Pirmiausia sustabdykite prietaisą, paspauskite oro filtrą aukštyn (F paveikslas).

2. Išvalykite ir vėl įstatykite oro filtrą.

3. Jei nešvarumai pastebimi, nuplaukite juos ploviklio tirpalu drungname vandenyje. Išvalę išdžiovinkite tamsioje ir vėsioje vietoje, tada vėl įdėkite.

Priežiūra po naudojimo

1. Jei prietaisas nebenaudos ilgesnį laiką, būtinai ištraukite guminių viršutinės aušintuvo kanalizacijos angos (8) ir guminio kaiščio aušintuvo kanalizacijos angos (9) guminių kamštį, kad nutektų vanduo. .

2. Saulėtą dieną palaikykite prietaisą veikiančią ventiliatorių tik pusę dienos, kad jis išdžiūtų viduje ir apsaugotų nuo pelėsio.

3. Išjunkite įrenginį ir ištraukite maitinimo laido kištuką, tada išimkite nuotolinio valdymo pulto baterijas ir tinkamai laikykite įrenginį.

4. Išvalykite oro filtrą ir vėl įdėkite.

5. Nuimkite oro žarnas ir tinkamai jas laikykite, sandariai uždenkite skylę

## TECHNINIAI DUOMENYS:

Aušinimo galia BTU: 9000 BTU / val

Aušinimo galia vatais: 2600

Energijos sąnaudos (aušinimas) W: 950 W

Tūris: <= 65 dB

Oro srautas: 380 m<sup>3</sup> / h

Energijos klasė: A

Laikmatis: 24 valandos

R290 aušinimo skysčio svoris: maks. 200 gramų



Atsargiai, gaisro pavojus.

NEGALIMA pradurti ir nedeginti.

Atminkite, kad šaltnešis neturi kvapo.

Didžiausias šaltnešio įkrovos kiekis: 200 g.



Rūpinantis aplinka. Kartono pakuotes atiduoti į makulatūrą. Polietileno (PE) maišelius mesti į plastikui skirtą konteinerį. Susidėvėjusį prietaisą atiduoti į atitinkamą atliekų surinkimo vietą, nes prietaise esančios pavojingos medžiagos gali kelti grėsmę aplinkai. Elektrinį prietaisą atiduoti tokį, kad nebūtų galima jo pakartotinai naudoti ir panaudoti. Jeigu prietaise yra baterijos, būtina jas išimti ir atskirai atiduoti į atliekų surinkimo vietą. Nemesti prietaiso į buitinių atliekų konteinerį!

## LATVIEŠŪ

### VISPĀRĀRĪGIE DROŠĪBAS NOSACĪJUMI

### SVARĪGAS DROŠĪBAS INSTRUKCIJAS RŪPĪGI LASĪT UN SAUDZĒT NĀKOTNĒM

1. Pirms ierīces izmantošanas izlasiet lietošanas instrukciju un ievērojiet tajā sniegtos norādījumus. Izgatavotājs nav atbildīgs par zaudējumiem, kas radušies, izmantojot ierīci

pretēji paredzētajam mērķim vai nepareizu darbību.

2. Ierīce paredzēta tikai lietošanai mājās. Nelietojiet citiem mērķiem, kas nav paredzēti paredzētajam mērķim.

3. Ierīce jāpievieno maiņstrāvas kontaktligzdai tikai ar iezemētu 220 240 V ~ 50 Hz. Lai palielinātu ekspluatācijas drošību, vairākas elektriskās ierīces nedrīkst būt savienotas vienā strāvas ķēdē vienlaikus.

4. Esiet īpaši piesardzīgs, lietojot ierīci, kad tuvumā ir bērni. Neļaujiet bērniem spēlēties ar ierīci, neļaujiet to lietot bērniem vai cilvēkiem, kuri to nepazīst.

5. **BRĪDINĀJUMS.** Šo aprīkojumu var izmantot bērni, kas vecāki par 8 gadiem, un cilvēki ar ierobežotām fiziskām, maņu vai garīgajām spējām vai cilvēki, kuriem nav pieredzes vai zināšanu par šo aprīkojumu, ja tas tiek veikts atbildīgas personas uzraudzībā. Viņu drošībai vai viņiem ir piešķirta informācija par ierīces drošu lietošanu un viņi apzinās tās lietošanas bīstamību. Bērni nedrīkst spēlēt ar aprīkojumu. Ierīces tīrīšanu un apkopi nedrīkst veikt bērni, ja vien viņi ir vecāki par 8 gadiem un šīs darbības tiek veiktas uzraudzībā.

6. Pēc lietošanas vienmēr atvienojiet strāvas kontaktdakšu, turot kontaktligzdu ar roku. **NE**velciet strāvas vadu.

7. Neiegremdējiet kabeli, kontaktdakšu un visu ierīci ūdenī vai citā šķidrumā. **Nepakļaujiet ierīci atmosfēras iedarbībai** (lietus, saule utt.) **Vai nelietojiet paaugstināta mitruma apstākļos** (vannas istabas, mitras pārvietojamās mājas).

8. Periodiski pārbaudiet strāvas vada stāvokli. Ja strāvas vads ir bojāts, tas jāmaina specializētā remontdarbnīcā, lai izvairītos no briesmām.

9. Nelietojiet ierīci ar bojātu strāvas vadu, ja tā ir nomesta vai citādi bojāta, vai arī tā nedarbojas pareizi. Neuzlabojiet ierīci pats, jo pastāv elektriskās strāvas trieciena risks. Nogādājiet bojāto ierīci pārbaudei vai labošanai atbilstošā servisa centrā. Visus remontdarbus drīkst veikt tikai pilnvaroti servisa punkti. Nepareizi veikts remonts var radīt nopietnas briesmas lietotājam.

10. Novietojiet ierīci uz vēsas, stabilas virsmas, prom no karstām virtuves ierīcēm, piemēram, elektriskās plīts, gāzes degļa utt.

11. Pārlicinieties, ka nekas neliedz ierīces gaisa ieplūdi un izplūdi

12. Izmantojiet ierīci tikai uz līdzenas virsmas, lai novērstu kondensāta izliešanu

13. Lai nodrošinātu papildu aizsardzību, ieteicams elektriskajā ķēdē uzstādīt atlikušās strāvas ierīci (RCD) ar nominālo atlikušo strāvu, kas nepārsniedz 30mA. Par to jautājiet elektriķim.

14. Regulāri notīriet gaisa filtru. Tīrīšanas biežums ir atkarīgs no gaisa tīrības.

15. Pēc mašīnas izslēgšanas nogaidiet vismaz 5 minūtes, pirms to atkal ieslēdzat.

16. Nelietojiet ierīci saulainās vietās. Kad ierīce pārkarst, ierīce pārkaršanās laikā ieslēdzas.

17. Lai nodrošinātu efektīvu dzesēšanu, starp ierīces sānu sienām un sienu, mēbelēm vai aizkariem jābūt vismaz 60 cm attālumam.

18. Ierīces ierobežotās darbības dēļ, ja starpība starp mērķa temperatūru un apkārtējās vides temperatūru ir pārāk liela, mērķa temperatūra var netikt sasniegta.

19. Lai samazinātu ugunsgrēka, elektriskās strāvas trieciena vai ievainojumu risku, lietojot

gaisa kondicionieri, ievērojiet šādus pamata piesardzības pasākumus:

- a) Pievienojiet iezemētai kontaktligzdai ar 3 tapām.
  - b) nenoņemiet zemējuma galu.
  - c) Nelietojiet adapteri.
  - d) Nelietojiet pagarinātāju.
  - e) Pirms apkopes atvienojiet gaisa kondicionieri.
  - f) Gaisa kondicionētāja pārvietošanai un uzstādīšanai izmantojiet divus vai vairāk cilvēkus.
20. Nelietojiet līdzekļus, kas paātrina atkausēšanas vai tīrīšanas procesu, izņemot tos, kurus ieteicis ražotājs.
21. Ierīce jāuzglabā telpā, kurā pastāvīgi nedarbojas aizdedzes avoti, piemēram: atklāta uguns, gāzes ierīces vai elektriskie sildītāji.

#### PIRMS PIRMĀ LIETOŠANAS - (E attēls)

Savienotājus ar gaisa izplūdes kanālu savienojiet šādi:

1. Izstiepiet gaisa izplūdes kanālu (10), izvelkot abus kanāla galus.
2. Ieskrūvējiet gaisa izplūdes kanālu (10) gaisa izplūdes kanāla savienotājā (11).
3. Pievienojiet gaisa izplūdes kanāla savienotāju (11) ierīcei.

#### PIEZĪMES:

1. Lai izvairītos no elektromagnētiskiem traucējumiem, ierīci turiet vismaz 1 metra attālumā no televizora vai radio.
  2. Nepakļaujiet ierīci tiešu saules staru iedarbībai, lai izvairītos no virsmas krāsas izbalēšanas.
  3. Pārvadāšanas laikā nedrīkst noliekt ierīci vairāk kā par 35 ° vai otrādi. Ja ierīce pārvadāšanas laikā ir apgriezta, novietojiet to pareizi un pirms palaišanas nogaidiet 2–4 stundas.
  4. Novietojiet ierīci uz līdzenas virsmas ar slīpumu, kas mazāks par 5 °.
  5. Ierīce efektīvāk darbojas noteiktās telpas vietās, izvēlieties labāko atrašanās vietu:
    - Blakus logam, durvīm vai franču logam.
    - Ievietojiet vajadzīgo attālumu no atgriešanās gaisa izplūdes atveres līdz sienai vai citiem šķēršļiem vismaz 60 cm.
    - Pagariniet gaisa šļūteni, lai pārliecinātos, ka otrā gaisa šļūtenes galā ir atstarpe starp loga durvīm, logu franču virzienā vai sienas caurumu.
    - Gaisa izplūdi vai ieklūdi nevar aizsprostot ar aizsargrežģi vai jebkādiem šķēršļiem.
- Lai pagarinātu agregāta kalpošanas laiku, pirms nodošanas sezonai, novadiet kondensēto ūdeni no augšējiem (8) un apakšējiem (9) dzesētāja caurumiem.

#### IERĪCES APRAKSTS (A un B attēls)

- |  |                                      |
|--|--------------------------------------|
| 1. Vadības panelis                     | 2. Aukstā gaisa izvads               |
| 3. Signāla uztvērējs                   | 4. Tālvadības pults                  |
| 5. Transportēšanas rokturis            | 6. Izplūdes kanāls                   |
| 7. Iztvaicētāja ieeja                  | 8. Augšējā dzesētāja notekas caurums |
| 9. Dzesētāja drenāžas atvere lejā      | 10. Gaisa izplūdes kanāls            |
| 11. Gaisa izplūdes kanāla savienotājs. | 12. Logu izplūdes adapteris          |

#### VADĪBAS PANELIS (C attēls)

- |   |  |
|---|--|
| A. Ieslēgšanas / izslēgšanas poga ieslēgta / izslēgta | B. Ventilatora ātruma poga                     |
| C. Poga Režīms  | D. Taimera / Temperatūras paaugstināšanas poga |
| E. Taimera / temperatūras samazināšanas poga          | F. Zema ātruma poga                            |
| G. Ātrgaitas poga                                     | H. Barošanas indikators                        |
| I. Miega poga un bērnu slēdzene                       | J. Automātiskais režīms                        |
| K. Atdzesēšanas režīms                                | L. Sausināšanas režīms                         |
| M. Ventilatora režīms                                 | N. Taimera poga                                |
| O. Svārstību poga                                     | P. Bērnu slēdzene                              |

#### Tālvadības kontrolieris - D attēls

Tālvadības pults pārsūta signālus uz sistēmu.

Poga "A" - ierīce tiks iedarbināta, kad tā tiek barota, vai tiks apturēta, kad tā darbojas, ja nospiedīsīt šo pogu.

Poga "C" - nospiediet to, lai izvēlētos darbības režīmu: "J", "K", "L" vai "M..".

Poga "B" - nospiediet to, lai secīgi izvēlētos ventilatora ātrumu.

Poga "D" / "E" - nospiediet, lai pielāgotu istabas temperatūru un taimeri.

Poga "I" - nospiediet, lai iestatītu vai atceltu miega režīmu.

Poga "N" - nospiediet, lai iestatītu automātiskās izslēgšanās un automātiskās ieslēgšanās laiku.

Poga "O" - nospiediet, lai iestatītu vai atceltu žālūziju pagriešanas režīmu.

## KONTROLES PANEĻA DARBĪBA AUTOMĀTISKĀ / VĒŽIS / SAUSS / VENTILATORS

1. Ieslēdziet ierīci.

a) Pievienojiet ierīci un pēc tam ierīce vienreiz iepikstas. "H" strāvas indikators deg.

b) Nospiediet pogu "A", pēc tam ierīce ieslēgsies.

c) LED diode parāda istabas temperatūru un sāk darboties automātiskajā režīmā.

2. Izvēlieties darbības režīmu

Nospiediet taustiņu "C", lai pēc kārtas atlasītu vēlamo darbības režīmu:

Automātiskais režīms "J" -> Dzesēšanas režīms "K" -> Žāvēšanas režīms "L" -> Ventilatora režīms "M."

3. Pielāgojiet temperatūru

Temperatūru var iestatīt diapazonā no 15 ° -31 ° C. Nospiediet "D" vai "E" pogu, lai vienu reizi nospiežot, palielinātu vai samazinātu temperatūru par 1 ° C. Ierīces LED panelī 5 sekundes tiek parādīta mērķa temperatūra un pēc tam tiek parādīta istabas temperatūra.

4. Pielāgojiet ventilatora ātrumu

Nospiediet pogu "B", lai pēc kārtas atlasītu vēlamo ventilatora ātrumu:

Zems ātrums "F" -> Liels ātrums G

5. Jauda

Vēlreiz nospiežot pogu "A", ierīce atskanēs "di", strāvas indikators "H" nodziest un pārstāj darboties.

6. Nospiediet šo pogu "I", lai atvērtu ierīces miega režīmu.

7. Nospiediet šo pogu "N", lai iestatītu izslēgtu laiku.

8. Nospiediet šo pogu "O", lai iestatītu gaisa šūpošanās svārstības augšup.

Katra režīma darbības princips:

AUTO "J" režīms:

Kad darbība "J" ir izvēlēta, iekštelpu temperatūras sensors darbojas automātiski, un tas izvēlas vienu no zemāk minētajiem darbības režīmiem:

- Kad istabas temperatūra ir  $\geq 24$  , iekārta automātiski izvēlas atdzesēšanas režīma "K" režīmu.

vai

- Kad istabas temperatūra ir  $< 24$  , iekārta automātiski izvēlas liela ventilatora ātruma režīmu "M..".

Sausiniet "L" režīmu:

1. Centrbēdzes ventilators darbosies ar mazu ātrumu, un ātrumu nevar noregulēt.

2. Kompresors apstāsies pēc 8 minūtēm, pēc tam atkal darbosies pēc 6 minūtēm.

3. Ierīce izmanto pastāvīgu temperatūras pazemināšanas režīmu, un temperatūras regulēšana nav efektīva.

BRĪDINĀJUMS:

Darbinot ierīci mainīga mitruma apstākļos, dzesētāja drenāžas atverei (9) jābūt pastāvīgi atvērtai un jānodrošina pastāvīga ūdens novadīšana.

COOL "K" režīms:

1. Kad istabas temperatūra ir augstāka par vadības panelī iestatīto temperatūru, kompresors sāk darboties.

2. Kad istabas temperatūra ir zemāka par iestatīto temperatūru vadības panelī, kompresora pietura un augšējais ventilators darbojas ar sākotnēji iestatīto ātrumu.

Ventilatora "M..." režīms.

1. Centrbēdzes ventilators darbojas iestatītajā ātrumā, un kompresors nedarbojas.

2. Temperatūras pielāgošana nav efektīva.

Taimera darbība "N":

1. Nospiediet taustiņu "N", lai iestatītu automātiskās izslēgšanās laiku, kamēr iekārta darbojas.

2. Nospiediet taustiņu "N", lai iestatītu automātisko ieslēgšanās laiku, kamēr iekārta ir gatava.

3. Laiku var noregulēt no 1 stundas līdz 24 stundām, nospiežot pogu "D" ( + ) vai "E" ( - ) .

Miega režīma "I" darbība un bērnu bloķēšanas funkcija:

1. Miega režīms darbojas, kad iekārta atrodas dzesēšanas "K" režīmā.

2. Vēsajā režīmā "K" nospiediet pogu "I", tad iekārta darbosies miega režīmā un centrālās ventilators uz augšu automātiski ieslēgsies uz mazu ātrumu. Iestatītā temperatūra pēc stundas palielināsies par 1 °C, bet pēc divām stundām - par 2 °C. Pēc sešām stundām vienība pārstāj darboties.

3. Trīs sekundes nospiediet bērnu bloķēšanas pogu "I", lai visas pārējās funkcijas nevarētu izmantot. Nospiežot vēlreiz 3 sekundes, tiks atbloķēta bērnu bloķēšanas funkcija, tikmēr visas citas funkcijas varēs atkal izmantot.

Darbība šūpoles "O" režīmā:

Kad ierīce ir ieslēgta, nospiediet pogu "O", vertikālā skava ieslēgsies vai izslēgsies. Kad tas ir ieslēgts, žālūzijas var pagriezties uz priekšu un atpakaļ 60 grādu leņķī. Vēlreiz nospiediet pogu "O", žālūzija pārtrauks šūpošanos.

Paziņojums:

Galvenajai vadības panelī ir atmiņas funkcija, kad ierīce ir gatava darbam, bet ir apturēta, galvenā vadības plate var iegaumēt darba režīma inicializāciju. Ieslēdzot ierīci, tā darbosies tāpat kā pagājušajā reizē, darba režīms vēlreiz nav jāatjauno. (Šis nosacījums nav pieejams, ja iekārta atrodas AUTO režīmā "J".)

Tālvadības kontrolieris

1. Bīdīet aizmugurējo vāciņu, lai atvērtu un noņemtu akumulatoru izolācijas plēvi.

2. Ielieciet baterijas slota iekšpusē, tām jāatbilst "+" un "-" zīmēm uz tālvadības pults.

3. Ilgu laiku nelietojot, izņemiet baterijas.

4. Lai novērstu vides piesārņošanu, izņemiet izlietotās baterijas un attiecīgi rīkojieties droši.

Lai darbinātu ierīci, novirziet tālvadības pulti (..) uz signāla uztvērēju. Tālvadības pults darbosies ierīci 5 metru attālumā, norādot uz ierīces signāla uztvērēju.

AIZSARDZĪBAS IERĪCES

Tālāk uzskaitītajos gadījumos aizsargierīce var nokļīst un apstādināt ierīci:

1. dzesēšanas režīmā: iekštelpu gaisa temperatūra ir augstāka par 43 °C (109 °F)

2. dzesēšanas režīmā: istabas temperatūra ir zemāka par 15 °C (59 °F)

3. sausināšanas režīmā: istabas temperatūra ir zemāka par 15 °C (59 °F).

Ja ierīce darbojas dzesēšanas režīmā "K" vai mitrina "L" režīmu ar ilgstoši atvērtām durvīm vai logu, kad relatīvais mitrums pārsniedz 80%, no izplūdes vietas var nokrist rasas.

Aizsargierīce darbosies šādos gadījumos:

1. Restartējot ierīci tūlīt pēc darba pārtraukšanas vai mainot izvēlēto režīmu darba laikā, jums jāgaida 3 minūtes.

2. Ja kontaktdakša ir noņemta, pēc restartēšanas ierīce atgriezīsies sākotnējā režīmā, TIMER ON un TIMER OFF ir jāiestata no jauna.

**PIEZĪME:** šajā ierīcē ir paslēpta kondensāta ūdens pārstrāde. Kondensācijas ūdens tiek daļēji pārstrādāts starp kondensatoru un ūdens plāksni. Kad ūdens līmenis paaugstinās līdz augšējam līmenim, iedegas pludiņa slēdzis un pilna ūdens indikators (E4), lai atgādinātu par ūdens novadīšanu. Lūdzu, pārtrauciet strāvas padevi, pārvietojiet ierīci uz piemērotu vietu, noņemiet kanalizācijas aizbāzni, pilnībā izlejiet ūdeni. Pēc notekas no jauna uzstādiet kontaktdakšu, pretējā gadījumā ierīce var noplūst un padarīt jūsu istabu mitru.

Ja iekārta ir novietota tādā stāvoklī, kas ļauj iztukšot ūdeni, jūs varat arī savienot notekas caurumu ar kanalizācijas atveri, lai novadītu ūdeni. Komplektam pievienota kanalizācijas caurule ar iekšējo diametru 9mm, ārējo diametru 12mm, materiāls: PVC.

Traucējummeklēšana

1) nepatīkšanas: nedarbojas.

Analīze:

a) varbūt ir aizdedzies aizsargs vai drošinātājs, lūdzu, pagaidiet 3 minūtes un sāciet no jauna, iespējams, ka aizsargierīce neļauj ierīcei darboties.

c) varbūt ir izlādējušās tālvadības pults baterijas.

d) varbūt kontaktdakša nav pareizi pievienota.

2) Problēmas: darbojas tikai īsu laiku

Analīze:

a) ja iestatītā temperatūra ir tuvu istabas temperatūrai, varat pazemināt iestatīto temperatūru.

b) varbūt gaisa izvadi aizsprosto šķēršļi. Noņemiet šķēršļi.

3) nepatikšanas: darbojas, bet nedzesē

Analīze:

a) varbūt durvis vai logs ir atvērti.

b) varbūt tiešā attālumā ir cita termiski strādājoša ierīce, piemēram, sildītājs vai lampa utt.

c) gaisa filtrs ir netīrs, lūdzu, notīriet to.

d) gaisa izplūde vai ieplūde ir aizsprostota.

f) iestatītā temperatūra ir pārāk augsta.

4) Problēmas: ūdens noplūde pārvietošanās laikā.

Analīze:

a) pirms pārvietošanas izlejiet kondensātu.

b) lai izvairītos no ūdens noplūdes, lūdzu, atrodiet ierīci uz līdzenas zemes.

5) Problēmas: nestrādā un ir pilns ūdens indikators "E4"

Analīze:

a) lai iztukšotu ūdeni, izvelciet gumijas spraudni.

b) ja tas bieži atrodas šādā stāvoklī, lūdzu, sazinieties ar kvalificētu servisa speciālistu.

Traucējummeklēšana

6) Problēma: ierīci neizdodas iedarbināt.

Analīze:

a) varbūt nav pievienots. Tātad, pievienojiet to.

b) iespējams, kontaktdakšas vai kontaktligzdas bojājumi. Aizstāt ar pakalpojumu sniedzēju.

c) varbūt sabojājies drošinātājs Nomainiet drošinātāju, ko nodrošina pakalpojumu sniedzējs (specifikācija: 3,15A / 250VAC).

7) Problēmas: ierīce automātiski apstājas.

Analīze:

a) izslēgt laiku vai sasniegt iestatīto temperatūru. Restartējiet to vai gaidiet automātisko pārslēgšanos.

8) Problēmas: aukstā gaisa nav režīmā COOL "K".

Analīze:

a) istabas temperatūra ir zemāka par iestatīto. Tā ir normāla parādība, mašīna automātiski pārslēgsies, kamēr istabas temperatūra būs augstāka par iestatīto.

b) ierīce darbojas pretaizsalšanas aizsardzībā. Ierīce automātiski pārslēgsies pēc pretaizsalšanas aizsardzības beigām.

9) Problēma: LED displejā tiek parādīts kļūdas kods "E2"

Analīze:

a) istabas temperatūras sensors sabojājas vai sabojājas. Nomainiet istabas temperatūras sensoru pie pakalpojumu sniedzēja.

10) Problēma: LED displejā tiek parādīts kļūdas kods "E3"

Analīze:

a) iztvaicētāja eļļas caurules sensors sabojājas vai ir bojāts. Nomainiet iztvaicētāja spoles caurules sensoru pie pakalpojumu sniedzēja.

11) Problēma: LED displejā tiek parādīts kļūdas kods "E4"

Analīze:

a) brīdinājums par ūdeni pilns. Izlejiet ūdeni.

## TĪRĪŠANA UN APKOPE

Ierīces apkope

1. Pirms atvienojat no strāvas avota, vispirms izslēdziet ierīci.

2. Noslaukiet ar mīkstu un sausu drānu. Izmantojiet remdenu ūdeni, kas zemāks par 40 ° C, lai notīrītu, ja ierīce ir

loti netīra.

3. Ierīces tīrīšanai nekad nelietojiet gaistošas vielas, piemēram, benzīnu vai pulēšanas pulveri.

Gaisa filtru apkope

Gaisa filtrs ir jātīra ik pēc 2 nedēļām, ja ierīce darbojas īpaši putekļainā vidē. Tīrīt šādi:

1. Vīspirms apstādiniet ierīci, uzlieciet gaisa filtru uz augšu (F attēls).
2. Notīriet un no jauna uzstādiet gaisa filtru.
3. Ja netīrumi ir pamanāmi, mazgājiet tos ar mazgāšanas līdzekļa šķīdumu remdenā ūdenī. Pēc tīrīšanas nosusiniet to ēnainā un vēsā vietā, pēc tam atkārtoti uzstādiet.

Apkope pēc lietošanas

1. Ja ierīci nelietojat ilgāku laiku, noteikti izvelciet dzesētāja augšējā drenāžas atveres (8) gumijas spraudni un drenāžas atveres gumijas aizbāžņa dzesētāja drenāžas atveri (9), lai novadītu ūdeni.
2. Saulainā dienā turiet ierīci darbināmu ar ventilatoru tikai pusi dienas, lai tā nožūtu iekšā un neļautu veidoties pelēkumam.
3. Apturiet ierīci un izvelciet strāvas vada spraudni, pēc tam izņemiet tālvadības pults baterijas un pareizi uzglabājiet ierīci.
4. Notīriet gaisa filtru un uzstādiet to atpakaļ.
5. Noņemiet gaisa šļūtenes un pareizi novietojiet tās, un cieši pārklājiet caurumu.

TEHNISKIE DATI:

Dzesēšanas jauda BTU: 9000 BTU / stundā

Dzesēšanas jauda vatos: 2600

Enerģijas patēriņš (dzesēšanai) W: 950 W

Skaļums: <= 65dB

Gaisa plūsma: 380 m<sup>3</sup> / h

Enerģijas klase: A

Taimeris: 24 stundas

R290 dzesēšanas šķidruma svars: maks. 200 grammi



Piesardzība, ugunsbīstamība.

NAV caurdurt un nededzināt.

Ņemiet vērā, ka dzesēšanas šķīdumam nedrīkst būt smakas.

Maksimālais dzesēšanas šķidruma uzlādes daudzums: 200 g.



Apkārtējās vides aizsardzība. Kartona iepakojumu, lūdzu, nododiet atsevišķi pārstādei. Polietilēna maisījumus (PE) izmest plastmasas izstrādājumiem paredzētajos konteineros. Lietotās elektropreces nododiet attiecīgajos pieņemšanas punktos. Ierīcē satur bīstamas sastāvdaļas, kas var izraisīt draudus apkārtējai videi. Elektroierīce jānodod tā, lai ierobežotu tās atkārtotu izmantošanu. Ja ierīcē atrodas baterijas, izņemiet tās un nododiet pieņemšanas punktā atsevišķi. Produktu neizmest sadzīves atkritumu konteinerā!

## EESTI

### ÜLDISED OHUTUSTINGIMUSED

#### OLULISED OHUTUSJUHISED LUGEGE ETTEVAATUST JA HOIDKE TULEVIKKU

1. Enne seadme kasutamist lugege kasutusjuhendit ja järgige selles sisalduvaid juhiseid. Tootja ei vastuta kahjude eest, mis on põhjustatud seadme eesmärgipärasest kasutamisest või ebaõigest kasutamisest.
2. Seade on ette nähtud ainult koduseks kasutamiseks. Ärge kasutage muuks otstarbeks kui otstarbeks.
3. Seadme toiteallikat tuleks ühendada ainult maandatud 220 240 V ~ 50 Hz sagedusega. Tööohutuse suurendamiseks ei tohiks mitu vooluahelat üheaegselt ühendada.
4. Kui olete läheduses, kasutage seadet eriti ettevaatlikult. Ärge lubage lastel seadmega mängida, ärge lubage lastel ega inimestel, kes pole seadmega tuttavad, seda kasutada.
5. HOIATUS. Seda seadet võivad kasutada üle 8-aastased lapsed ja piiratud füüsilise, sensoorse või vaimse võimekusega inimesed või inimesed, kellel pole seadme kasutamise kohta kogemusi ega teadmisi, kui seda tehakse vastutava isiku järelevalve all. nende

ohutuse tagamiseks või neile on antud teavet seadme ohutu kasutamise kohta ja nad on teadlikud selle kasutamisega seotud ohtudest. Lapsed ei tohiks varustusega mängida. Seadme puhastamist ja hooldamist tohivad teha ainult lapsed, välja arvatud juhul, kui nad on üle 8 aasta vanad ja neid toiminguid teostatakse järelevalve all.

6. Ühendage toitepistik alati lahti, hoides pärast kasutamist pistikupesast käega. ÄRGE tõmmake toitejuhtmest.

7. Ärge kastke kaablit, pistikut ja kogu seadet vette ega muusse vedelikku. Ärge jätke seadet atmosfääriolude (vihm, päike jne) kätte ega kasutage kõrge õhuniiskusega tingimustes (vannituba, niiske liikuv kodu).

8. Kontrollige perioodiliselt toitejuhtme seisukorda. Kui toitejuhe on kahjustatud, peaks selle ohu vältimiseks välja vahetama spetsialiseeritud remonditöökojas.

9. Ärge kasutage seadet kahjustatud toitejuhtmega, kui see on maha kukkunud või muul viisil kahjustatud või kui see ei tööta korralikult. Ärge parandage seadet ise, kuna seal võib tekkida elektrilöögi oht. Viige kahjustatud seade kontrollimiseks või parandamiseks vastavasse teeninduskeskusesse. Kõiki remonditöid tohivad teha ainult selleks volitatud teeninduspunktid. Valesti tehtud remonditööd võivad kasutajale põhjustada tõsiseid ohte.

10. Asetage seade jahedale, kindlale pinnale, eemal kuumadest köögiseadmetest, nagu näiteks: elektripliit, gaasipõleti jne.

11. Veenduge, et miski ei blokeeri seadme õhu sisse- ja väljalaskeava

12. Kasutage seadet ainult tasasel pinnal, et vältida kondensaadi väljavoolamist

13. Täiendava kaitse tagamiseks on soovitatav paigaldada vooluahelasse jääkvoolu seade (RCD), mille nimijärgivool ei ületa 30mA. Küsige seda elektrikult.

14. Puhastage regulaarselt õhufiltrit. Puhastamise sagedus sõltub õhu puhtusest.

15. Pärast masina väljalülitamist oodake enne sisselülitamist vähemalt 5 minutit.

16. Ärge kasutage seadet päikesepaistelistes kohtades. Kui seade üle kuumeneb, lülitatakse ülekuumenemise kaitse seade sisse.

17. Tõhusa jahutuse tagamiseks tuleks seadme külgeinte ja seinaga või mööbli või kardinate vahel hoida vähemalt 60 cm vahemaa.

18. Seadme piiratud jõudluse tõttu võib sihttemperatuuri mitte saavutada, kui sihttemperatuuri ja ümbritseva õhu temperatuuride erinevus on liiga suur.

19. Tulekahju, elektrilöögi või vigastuste ohu vähendamiseks kliimaseadme kasutamisel järgige järgmisi põhilisi ettevaatusabinõusid:

a) Ühendage 3 tihvtiga maandatud pistikupesaga.

b) Ärge eemaldage maandusharku.

c) Ärge kasutage adapterit.

d) Ärge kasutage pikendusjuhet.

e) Enne hooldust ühendage konditsioneer lahti.

f) Kliimaseadme teisaldamiseks ja paigaldamiseks kasutage kahte või enam inimest.

20. Sulatamise või puhastamise kiirendamiseks kasutage ainult tootja soovitatud vahendeid.

21. Seadet tuleks hoida ruumis, kus pole pidevalt töötavaid süüteallikaid, näiteks: lahtine tuli, gaasiseadmed või elektrikerised.



## ENNE ESIMENE KASUTAMIST - (pilt E)

Ühendage pistikud õhu väljalaskekanaliga järgmiselt:

1. Pikendage õhu väljalaskekanalit (10), tõmmates kanali kaks otsa välja.
2. Krüvige õhu väljalaskekanal (10) õhu väljalaskekanali (11) pistikusse.
3. Ühendage õhu väljalaskekanali pistik (11) seadmega.

## MÄRKUSED:

1. Elektromagnetiliste häirete vältimiseks hoidke seadet telerist või raadiodest vähemalt 1 meetri kaugusel.
  2. Pinnavärvuse tuhmumise vältimiseks ärge jätke seadet otsese päikesevalguse kätte.
  3. Ärge kallutage seadet transportimise ajal rohkem kui 35 ° või tagurpidi. Kui seade on transpordi ajal ümber pööratud, pange see õigesti maha ja oodake enne käivitamist 2–4 tundi.
  4. Asetage seade tasasele pinnale, mille kalle on alla 5 °.
  5. Seade töötab teatavates ruumipunktides tõhusamalt, valige parim asukoht:
    - akna, ukse või prantsuse akna kõrval.
    - Hoidke tagasivoolu väljalaskeavast seinast või muude takistuste vahel vähemalt 60 cm kaugusel.
  - Pikendage õhuvoolikut, et veenduda, et õhuvooliku teises otsas on akna ukse, prantsuse akna või seinast ava vahel vaba ruumi.
  - Kaitsevõre või muude takistuste abil ei saa õhu väljalaskeava või sisselasketoru blokeerida.
- Seadme eluea pikendamiseks tühjendage kondenseeritud vesi ülemisest (8) ja alumisest (9) jahedamast tühjendusavast, enne kui seade hoiale hooaja lõpus.

## SEADME KIRJELDUS (pildid A ja B)

- |                                  |                                |
|----------------------------------|--------------------------------|
| 1. Juhtpaneel                    | 2. Külma õhu väljalaskeava     |
| 3. Signaali vastuvõtja           | 4. Kaugjuhtimispuhuti          |
| 5. Transpordi käepide            | 6. Väljalaskekanal             |
| 7. Aurusti sisend                | 8. Jahuti ülemise tühjendusava |
| 9. Alumine jahuti äravooluava    | 10. Õhu väljalaskekanal        |
| 11. Õhu väljalaskekanali liitmik | 12. Akna väljalaske adapter    |

## JUHTIPANEEL (pilt C)

- |   |  |
|---|--|
| A. Toitenupp ON / OFF                     | B. Ventilatori kiiruse nupp            |
| C. Režiimi nupp                           | D. Taimer / temperatuuri tõstmise nupp |
| E. Taimeri / temperatuuri alandamise nupp | F. Madala kiiruse nupp                 |
| G. Kiirunupp                              | H. Toiteindikaator                     |
| I. Uinunupp ja lapselukk                  | J. Automaatrežiim                      |
| K. Jahutusrežiim                          | L. Kuivatage režiim                    |
| M. Ventilatori režiim                     | N. Taimeri nupp                        |
| O. Ostsillatsiooninupp                    | P... Lapselukk                         |

## KAUGJUHTIMINE - pilt D

Kaugjuhtimispuhuti edastab signaale süsteemi.

Nupp "A" - seade käivitatakse pärast selle sisselülitamist või peatatakse selle töötamise ajal, kui vajutate seda nuppu.

Nupp "C" - vajutage seda režiimi valimiseks: "J", "K", "L" või "M...".

Nupp "B" - vajutage seda, et valida järjestikku ventilatori kiirus.

Nupp "D" / "E" - vajutage toatemperatuuri ja taimeri reguleerimiseks.

Nupp "I" - vajutage unerežiimi seadmiseks või tühistamiseks.

Nupp "N" - vajutage automaatse väljalülituse ja automaatse sisselülituse aja seadmiseks.

Nupp "O" - vajutusrežiimi pöörimisrežiimi seadmiseks või tühistamiseks vajutage.

## KONTROLLpaneeli KASUTAMINE

AUTOMAATNE / jahutav / kuivatatud / ventilator

1. Lülitage seade sisse.

a) Ühendage seade ja siis piiksub üks kord. "H" toitetuli põleb.

b) Vajutage nuppu "A", siis seade lülitub sisse.

c) LED-diiod kuvab toatemperatuuri ja hakkab tööle automaatrežiimis.

2. Valige töörežiim

Vajutage nuppu C, et valida järjestikune töörežiim:

Automaatrežiim "J" -> Jahutusrežiim "K" -> Kuivatage režiim "L" -> Ventilatori režiim "M."

3. Reguleerige temperatuuri

Temperatuuri saab seada vahemikku 15–31 ° C. Temperatuuri 1 ° C võrra suurendamiseks või vähendamiseks ühe korra vajutamisega vajutage nuppu D või E. Seadme LED-paneel näitab soovitud temperatuuri 5 sekundi jooksul ja seejärel toatemperatuuri.

#### 4. Reguleerige ventilaatori kiirust

Vajutage nuppu "B", et valida soovitud ventilaatori kiirus, mis kuvatakse järjestuse järgi:

Madal kiirus "F" -> Suur kiirus G

#### 5. Jõud

Kui vajutate uuesti nuppu "A", kõlab seade "di", toitenäit "H" kustub ja lakkab töötamast.

6. Vajutage seda nuppu "I" seadme puhkeolekusse sisenemiseks.

7. Ajastatud väljalülituse seadmiseks vajutage seda nuppu "N".

8. Vajutage seda nuppu "O", et reguleerida õhu pöördvõnkumist üles-alla.

Iga režiimi tööpõhimõte:

AUTO "J" režiim:

Kui töö J on valitud, töötab sisetemperatuuri andur automaatselt ja see valib ühe järgmistest töörežiimidest:

- Kui toatemperatuur on  $\geq 24$  °C, valib seade automaatselt jaheda režiimi "K" režiimi.

või

- Kui toatemperatuur on  $< 24$  °C, valib seade automaatselt suure ventilaatori kiiruse režiimi "M".

Kuivatage "L" režiim:

1. Tsentrifugaalventilaator töötab madala kiirusega ja kiirust ei saa reguleerida.

2. Kompessor seiskub pärast 8-minutist töötamist ja töötab seejärel 6-minutilise töö järel uuesti.

3. Seade võtab temperatuuri püsiva kuivatamise režiimi ja temperatuuri reguleerimine pole efektiivne.

HOIATUS:

Seadme töötamisel erineva õhuniiskusega tingimustes peaks jahuti allavoolu tühjendusava (9) olema pidevalt avatud ja tagama pideva vee äravoolu.

JAH "K" režiim:

1. Kui toatemperatuur on juhtpaneelil seatud temperatuurist kõrgem, hakkab kompressor tööle.

2. Kui toatemperatuur on juhtpaneelil seatud temperatuurist madalam, töötab kompressori seiskamine ja ülemine ventilaator algsel seadistatud kiirusel.

Ventilaatori "M..." režiim.

1. Tsentrifugaalventilaator töötab seatud kiirusel ja kompressor ei tööta

2. Temperatuuri reguleerimine pole efektiivne.

Taimeri töö "N":

1. Vajutage nuppu N, et seadistada automaatne väljalülitusaeg seadme töötamise ajal.

2. Vajutage nuppu N, et seadistada automaatne sisselülitusaeg, kuni seade on valmis.

3. Kellaega saab reguleerida vahemikus 1 tund kuni 24 tundi, vajutades nuppu "D" ( + ) või "E" ( - ) .

Puhkerežiimi I režiim ja lapselukk:

1. Unerežiim töötab siis, kui seade on jahutusrežiimis "K".

2. Vajutage jahedas režiimis "K" nuppu "I", siis töötab seade puhkeolekus ja tsentrifugaalventilaator lülitub automaatselt madalale kiirusele. Seadistatud temperatuur tõuseb ühe tunni pärast 1 °C ja kahe tunni pärast tõuseb 2 °C. Kuue tunni pärast lakkab seade töötamast.

3. Vajutage kolm sekundit lapseluku nuppu "I", et kõiki muid funktsioone ei saaks kasutada. Vajutage veel 3 sekundit, et lukustada lapselukk, samal ajal saavad kõiki muid funktsioone uuesti kasutada.

Režiimi "O" režiim:

Kui seade on sisse lülitatud, vajutage nuppu "O", vertikaalne luup lülitub sisse või välja. Kui see on sisse lülitatud, võib luuk 60 kraadi jooksul edasi-tagasi liikuda. Vajutage uuesti nuppu "O", luuk peatub.

Teade:

Põhipaneelil on mälufunktsioon, kui seade on töövalmis, kuid seiskunud olekus, suudab peakonsool meelde jätta töörežiimi lähtestamise. Kui lülitate seadme sisse, töötab see samamoodi nagu eelmine kord, töörežiimi pole vaja uuesti lähtestada. (See tingimus pole saadaval, kui seade on automaatrežiimis "J".)

## KAUGJUHTIMINE

1. Libistage tagakaant akude eralduskile avamiseks ja eemaldamiseks.
  2. Pange patareid pesasse, need peavad vastama puldi märkidele "+" ja "-".
  3. Pikka aega, kui te seda ei kasuta, võtke patareid välja.
  4. Keskkonnareostuse vältimiseks eemaldage kasutatud akud ja käideldge neid ohutult ja asjakohasel.
- Seadme kasutamiseks suunake kaugjuhtimispuult (..) signaali vastuvõtjale. Kaugjuhtimispuult töötab seadme signaali vastuvõtjale osutades seadet 5 meetri kaugusel.

## Kaitseseadmed

Kaitseseade võib seadme välja lülitada ja peatuda järgmistel juhtudel:

1. jahutusrežiimis: siseõhu temperatuur on üle 43 ° C (109 ° F)
2. jahutusrežiimis: toatemperatuur on alla 15 ° C (59 ° F)
3. õhukuivatusrežiimis: toatemperatuur on alla 15 ° C (59 ° F).

Kui seade töötab jahedas „K” või kuivatab „L” režiimi, kui uks või aken on pikka aega avatud, kui suhteline õhuniiskus on üle 80%, võib kaste väljalaskeavast tilkuda.

Kaitseseade töötab järgmistel juhtudel:

1. Seadme taaskäivitamine kohe pärast töö peatamist või valitud režiimi muutmist töötamise ajal peate ootama 3 minutit.
2. Kui pistik on eemaldatud, naaseb seade pärast taaskäivitamist algsesse režiimi, TIMER ON ja TIMER OFF - tuleb uuesti seadistada.

**MÄRKUS:** selles seadmes on peidetud kondenseeriva vee ringlussevõtt. Kondenseeruv vesi toimub osaliselt kondensaatori ja veepõhja vahel. Kui veetase tõuseb ülemisele tasemele, süttivad ujulüliti ja täisvee indikaator (E4), et meelde tuletada vett. Katkestage toide, viige seade sobivasse kohta, eemaldage äravoolukork ja tühjendage vesi täielikult. Pärast äravoolu paigaldage pistik uuesti, vastasel juhul võib seade lekkida ja muuta teie ruumi märjaks.

Kui seade asetatakse kanalisatsiooni võimaldavas kohas, saate vee tühjendamiseks ühendada ka tühjendusava tühjendusavasse. Komplektile on lisatud äravoolutoru, siseläbimõõt 9mm, välisläbimõõt 12mm, materjal: PVC.

## Veaotsing

1) Probleem: ärge töötage.

Analüüs:

- a) võib-olla on kaitsme kaitse või kaitse läbi põlenud, oodake 3 minutit ja alustage uuesti, kaitseseade võib seadme töötamist takistada.
- c) võib-olla on puldi patareid otsa saanud.
- d) võib-olla pole pistik korralikult ühendatud.

2) Probleem: töötab ainult lühikest aega

Analüüs:

- a) kui seatud temperatuur on toatemperatuurile lähedal, võite seadet alandada.
  - b) võib-olla on õhu väljalaskeava takistatud. Viige takistus minema.
- 3) Hädad: töötab, kuid ei jahuta

Analüüs:

- a) võib-olla on uks või aken avatud.
- b) võib-olla lähedal asub mõni teine kuumtötlusseade, näiteks küttekeha või lamp jne.
- c) õhufilter on määrdund, puhastage see.
- d) õhu väljalaskeava või sisselaskeava on blokeeritud.

f) seatud temperatuur on liiga kõrge.

4) Probleem: veeleke liikumise ajal.

Analüüs:

a) enne liikumist tühjendage kondensaati.

b) vee lekke vältimiseks leidke seade tasasel pinnal.

5) Probleem: ärge töötage ja vesi on täis indikaator "E4"

Analüüs:

a) tõmmake vee tühjendamiseks välja kummist pistik.

b) kui see on sageli selles olekus, pöörduge kvalifitseeritud hooldustehniku poole.

Veaotsing

6) Probleem: seade ei käivitu.

Analüüs:

a) võib-olla pole ühendatud. Niisiis, ühendage see.

b) võib-olla pistiku või pistikupesaga kahjustus. Asendage teenusepakkuja poolt.

c) võib-olla on kaitsme katki. Asendage kaitse teenusepakkuja poolt (spetsifikatsioon: 3,15A / 250 VAC).

7) Probleem: seade peatub automaatselt.

Analüüs:

a) ajastus väljalülitatud või saavutatud temperatuur. Taaskäivitage see või oodake automaatse lülituse saabumist.

8) Probleem: režiimis COOL "K" pole külma õhku.

Analüüs:

a) toatemperatuur on seatud temperatuurist madalam. See on tavaline nähtus, kui toatemperatuur on seatud temperatuurist kõrgem, lülitub seade automaatselt ümber.

b) Seade kaitseb külma eest. Pärast külmumisvastase kaitse lõppemist lülitub seade automaatselt ümber.

9) Tõrge: LED näitab veakoodi "E2"

Analüüs:

a) toatemperatuuri andur ei tööta ega kahjusta. Asendage teenusepakkuja toatemperatuuri andur.

10) Tõrge: LED näitab veakoodi "E3"

Analüüs:

a) aurusti õlitoru andur ebaõnnestub või on kahjustatud. Asendage aurustaja mähise toru andur teenusepakkuja poolt.

11) Tõrge: LED näitab veakoodi "E4"

Analüüs:

a) vett täis hoiatus. Tühjendage vesi välja.

## PUHASTAMINE JA HOOLDUS

Seadme hooldus

1. Enne toiteallikast lahti ühendamist lülitage seade kõigepealt välja.

2. Pühkige pehme ja kuiva lapiga. Kui seade on väga määrduanud, kasutage puhastamiseks leiget vett alla 40 ° C.

3. Ärge kunagi kasutage seadme puhastamiseks lenduvaid aineid, näiteks bensiini või poleerimispulbrit.

Õhufiltrite hooldus

Õhufiltrit on vaja puhastada iga 2 nädala tagant, kui seade töötab eriti tolmuses keskkonnas. Puhastage järgmiselt:

1. Seisake esmalt seade, suruge õhufilter üles (pilt F).

2. Puhastage ja paigaldage õhufilter uuesti.

3. Kui mustus on silmatorkav, peske seda leige veega pesemisevahendi lahusega. Pärast puhastamist kuivatage see varjutatud ja jahedas kohas ja installige siis uuesti.

Hooldus pärast kasutamist

1. Kui seadet pikema aja jooksul ei kasutata, tõmmake vee väljajuhtimiseks kindlasti välja jahutusava ülemise tühjendusava (8) kummist pistik ja jahutusava kummikorgi alumine osa (9).

2. Hoidke seadet ventilaatori abil päikeselise päeva jooksul ainult pool päeva, et seade selle sees kuivada ja hallituse tekkeks ei pääseks.

3. Seisake seade ja tõmmake toitejuhtme pistik välja, seejärel eemaldage kaugjuhtimispldi patareid ja hoidke seadet korralikult.

4. Puhastage õhufilter ja paigaldage see uuesti.
5. Eemaldage õhuvoolikud ja hoidke neid korralikult ning katke auk tihedalt.

#### TEHNILISED ANDMED:

Jahutusvõimsus BTU juures: 9000 BTU / tund

Jahutusvõimsus vattides: 2600

Energiatarve (jahutamine) W: 950 W

Maht: <= 65 dB

Õhuvool: 380 m<sup>3</sup> / h

Energiaklass: A

Taimer: 24 tundi

Jahutusvedeliku R290 mass: max. 200 grammi



Ettevaatust, tuleoht.

MITTE läbistada ega põletada.

Pange tähele, et külmutusagens ei pruugi lõhna sisaldada.

Maksimaalne külmutusagensi laadimiskogus: 200 g.



Hoolitse keskkonnakaitse eest..

Kartongist pakendid vii makulatuuri. Kilekotid (PE) viska kasutatud plastiku jaoks ettenähtud mahutitesse. Kasutatud seadmed vii selleks ettenähtud kogumispunktidesse, sest seadmes leiduvad ohtlikud elemendid võivad olla kahjulikud keskkonnale. Elektriseadmed tuleb anda nii ära, et seadet ei saaks enam uuesti kasutada. Kui seadmes on patareid, tuleb need välja võtta ja anda eraldi kogumispunkti. Seadet ei tohi visata olmejäätmete konteineritesse!!

## ROMÂNĂ

### CONDIȚII GENERALE DE SIGURANȚĂ INSTRUCȚIUNI DE SIGURANȚĂ IMPORTANTE CITIȚI ÎNCETARE ȘI SALVAȚI PENTRU VIITOR

1. Înainte de a utiliza dispozitivul, citiți manualul de operare și urmați instrucțiunile conținute de acesta. Producătorul nu este responsabil pentru daunele cauzate de utilizarea dispozitivului contrar scopului intenționat sau a funcționării necorespunzătoare a acestuia.
2. Aparatul este numai pentru uz casnic. Nu folosiți în alte scopuri care nu sunt destinate scopului său.
3. Dispozitivul trebuie conectat numai la o priză de curent alternativ cu o masă de pământ 220 240V ~ 50Hz. Pentru a spori siguranța operațională, mai multe dispozitive electrice nu ar trebui conectate la un circuit de curent în același timp.
4. Aveți precauție extremă atunci când utilizați dispozitivul când copiii sunt în apropiere. Nu permiteți copiilor să se joace cu dispozitivul, nu lăsați copiii sau persoanele necunoscute de dispozitiv să-l folosească.
5. AVERTIZARE: Acest echipament poate fi utilizat de copii peste 8 ani și de persoane cu capacitate fizică, senzorială sau mentală limitată sau de persoane care nu au experiență sau cunoștințe despre echipament, dacă acest lucru este realizat sub supravegherea unei persoane responsabile pentru siguranța lor sau le-a fost oferită informații despre utilizarea în siguranță a dispozitivului și sunt conștienți de pericolele folosirii acestuia. Copiii nu ar trebui să se joace cu echipamentul. Curățarea și întreținerea dispozitivului nu trebuie să fie efectuată de către copii, cu excepția cazului în care au peste 8 ani și aceste activități sunt desfășurate sub supraveghere.
6. Deconectați întotdeauna mufa de alimentare ținând priza cu mâna după utilizare. NU trageți cablul de alimentare.

7. Nu scufundați cablul, mufa și întregul dispozitiv în apă sau în orice alt lichid. Nu expuneți dispozitivul la condiții atmosferice (ploaie, soare etc.) și nu folosiți în condiții de umiditate ridicată (băi, case mobile umede).
8. Verificați periodic starea cablului de alimentare. În cazul în care cablul de alimentare este deteriorat, acesta trebuie înlocuit de un atelier de reparații de specialitate pentru a evita pericolul.
9. Nu folosiți aparatul cu un cablu de alimentare deteriorat sau dacă a fost aruncat sau deteriorat în alt mod sau dacă nu funcționează corect. Nu reparați singur dispozitivul, deoarece există riscul de electrocutare. Duceți dispozitivul deteriorat la un centru de service adecvat pentru verificare sau reparare. Toate reparațiile pot fi efectuate numai de către punctele de service autorizate. Reparațiile efectuate incorect pot cauza pericol grav pentru utilizator.
10. Așezați dispozitivul pe o suprafață rece, stabilă, departe de aparatele de bucătărie calde, cum ar fi: aragaz electric, arzător de gaz etc.
11. Asigurați-vă că nimic nu blochează intrarea și ieșirea aerului dispozitivului
12. Folosiți dispozitivul numai pe o suprafață plană pentru a preveni scurgerea condensului
13. Pentru a oferi o protecție suplimentară, este recomandabil să instalați un dispozitiv de curent rezidual (RCD) în circuitul electric cu un curent rezidual nominal care să nu depășească 30mA. Întrebați un electrician pentru asta.
14. Curățați regulat filtrul de aer. Frecvența curățării depinde de curățenia aerului.
15. După ce oprți mașina, așteptați cel puțin 5 minute înainte de a o porni din nou.
16. Nu folosiți dispozitivul în locuri însorite. Când dispozitivul se supraîncălzește, protecția de supraîncălzire va porni dispozitivul.
17. Pentru a asigura o răcire eficientă, trebuie să existe o distanță de cel puțin 60 cm între pereții laterali ai dispozitivului și peretele sau mobilierul sau perdelele.
18. Datorită performanței limitate a dispozitivului, dacă diferența dintre temperatura țintă și temperatura ambiantă este prea mare, este posibil ca temperatura țintă să nu fie atinsă.
19. Pentru a reduce riscul de incendiu, electrocutare sau vătămare la utilizarea aparatului de aer condiționat, respectați următoarele precauții de bază:
  - a) Conectați-vă la o priză împământată cu 3 pini.
  - b) Nu îndepărtați prona de împământare.
  - c) Nu folosiți adaptorul.
  - d) Nu folosiți un prelungitor.
  - e) Deconectați aparatul de aer condiționat înainte de întreținere.
  - f) Folosiți două sau mai multe persoane pentru a muta și instala aerul conditionat.
20. Nu folosiți agenți care accelerează procesul de decongelare sau curățare, altele decât cele recomandate de producător.
21. Dispozitivul trebuie depozitat într-o cameră fără surse de aprindere constantă, de exemplu: foc deschis, aparate cu gaz sau încălzitoare electrice.

Înainte de prima utilizare - (imaginea E)

Conectați conectorii la conducta de evacuare a aerului după cum urmează:

1. Extindeți conducta de evacuare a aerului (10) prin extragerea celor două capete ale conductei.

2. Înșurubați conducta de evacuare a aerului (10) în conectorul conductei de evacuare a aerului (11).
3. Conectați conectorul conductei de evacuare a aerului (11) la dispozitiv.

#### OBSERVATII:

1. Păstrați unitatea la cel puțin 1 metru distanță de TV sau radio pentru a evita interferențele electromagnetice.
  2. Nu expuneți aparatul sub lumina directă a soarelui pentru a evita decolorarea culorii suprafeței.
  3. Nu înclinați unitatea mai mult de 35 ° sau cu susul în jos în timpul transportului. Dacă dispozitivul a fost răsturnat în timpul transportului, puneți-l jos și așteptați 2-4 ore înainte de a-l porni.
  4. Așezați unitatea pe o suprafață plană cu o înclinație mai mică de 5 °.
- Unitatea funcționează mai eficient în anumite locații ale camerei, selectați cea mai bună locație:
- Lângă o fereastră, o ușă sau o fereastră franceză.
  - Mențineți distanța necesară de la ieșirea aerului de întoarcere la perete sau alte obstacole de cel puțin 60 cm.
  - Extindeți furtunul de aer pentru a vă asigura că celălalt capăt al furtunului de aer are liber între ușa ferestrei sau geamul francez sau orificiul de perete.
  - Ieșirea sau admisia de aer nu poate fi blocată de rețeaua de protecție sau de orice obstacol.
- Pentru a prelungi durata de viață a unității, scurgeți apa condensată din orificiile superioare (8) și inferioare (9) ale răcitorului înainte de a pune unitatea în depozit la sfârșitul sezonului.

#### DESCRIEREA DISPOZITIVULUI (imaginile A și B)

- |  |   |
|--|---|
| 1. Panou de control                            | 2. Ieșire aer rece                            |
| 3. Receptor de semnal                          | 4. Telecomanda                                |
| 5. Mânerul de transport                        | 6. conducta de evacuare                       |
| 7. Introducerea vaporizatorului                | 8. Gaura superioară de evacuare a răcitorului |
| 9. Gaura de evacuare a răcitorului jos         | 10. Conductă de evacuare a aerului            |
| 11. Conectorul conductei de evacuare a aerului | 12. Adaptor pentru evacuarea geamurilor       |

#### PANEL DE CONTROL (imaginea C)

- |  |   |
|--|---|
| A. Buton de pornire ON / OFF               | B. Buton de viteză a ventilatorului       |
| C. Buton mod                               | D. Buton Temporizare / Temperatură în sus |
| E. Buton Cronometru / Temperatură în jos   | F. Buton viteză mică                      |
| G. Buton de mare viteză                    | H. Indicator de alimentare                |
| I. Butonul de repaus și blocarea copilului | J. Mod automat                            |
| K. Mod rece                                | L. Mod de dezumidificare                  |
| M. Modul ventilator                        | N. Butonul Timer                          |
| O. Buton de oscilare                       | P. Blocarea copilului                     |

#### Telecomandă - poza D

Telecomanda transmite semnale sistemului.

Butonul "A" - aparatul va fi pornit atunci când este pornit sau va fi oprit atunci când este în funcțiune, dacă apăsați acest buton.

Butonul "C" - apăsați-l pentru a selecta modul de operare: "J", "K", "L" sau "M".

Butonul "B" - apăsați-l pentru a selecta succesiunea vitezei ventilatorului.

Butonul "D" / "E" - apăsați pentru a regla temperatura camerei și cronometrul.

Butonul "I" - apăsați pentru a seta sau anula modul de repaus.

Butonul "N" - apăsați pentru a seta ora de oprire automată și de pornire automată.

Butonul "O" - apăsați pentru a seta sau a anula modul de balansare a fanilor.

#### FUNCȚIONAREA PANELULUI DE CONTROL

##### AUTOMATIC / COOL / Dry / Ventilator

#### 1. Porniți dispozitivul.

a) Conectați dispozitivul și apoi dispozitivul sună o dată. Lumina de alimentare „H” este aprinsă.

b) Apăsați butonul "A", apoi dispozitivul va porni.

c) Diodă LED afișează temperatura camerei și începe să funcționeze în modul automat.

#### 2. Alegeți modul de operare

Apăsați butonul "C" pentru a selecta modul de operare dorit după secvență:

Mod automat "J" -> Regim de răcire "K" -> Mod de uscare "L" -> Mod ventilator "M."

#### 3. Reglați temperatura

Temperatura poate fi setată într-un interval de 15 ° -31 ° C. Apăsați butonul „D” sau „E” pentru a crește sau a scădea temperatura cu 1 ° C, apăsând o dată. Panoul LED al dispozitivului arată temperatura țintă timp de 5 secunde, apoi afișează temperatura camerei.

#### 4. Reglați viteza ventilatorului

Apăsați butonul "B" pentru a selecta viteza dorită a ventilatorului, după secvență:  
Viteză mică "F" -> Viteză mare G

5. Putere  
Când apăsați din nou butonul „A”, dispozitivul va suna „di”, indicatorul de alimentare „H” se stinge și nu mai funcționează.
6. Apăsați acest buton „I” pentru a intra în modul de repaus al.. dispozitivului.
7. Apăsați acest buton "N" pentru a seta o oprire cronologică.
8. Apăsați acest buton "O" pentru a seta oscilația pivotantă în sus în jos.

Principiul de lucru al fiecărui mod:

Modul AUTO "J":

Odată selectată operația „J”, senzorul de temperatură interioară funcționează automat și selectează unul dintre modurile de operare de mai jos:

- Când temperatura camerei  $\geq 24$  °C, unitatea va selecta automat modul rece "Mod" K.

sau

- Când temperatura camerei  $< 24$  °C, unitatea va selecta automat modul de viteză mare al ventilatorului „M”.

Dezumidificați modul „L”:

1. Ventilatorul centrifugal în sus va funcționa cu viteză mică, iar viteza nu poate fi reglată.
2. Compresorul se va opri după funcționarea a 8 minute, apoi va rula din nou după 6 minute.
3. Dispozitivul adoptă un mod de dezumidificare constantă a temperaturii, iar reglarea temperaturii nu este eficientă.

AVERTIZARE:

Când folosiți dispozitivul în condiții de umiditate diferită, orificiul de scurgere al răcitorului (9) trebuie să fie deschis în mod constant și să asigure o scurgere constantă a apei.

Modul "K" COOL:

1. Când temperatura camerei este mai mare decât temperatura setată pe panoul de control, compresorul începe să funcționeze.
2. Când temperatura camerei este mai mică decât temperatura setată pe panoul de control, oprirea compresorului și ventilatorul superior funcționează la viteza inițială setată.

Modul „M” al... fanului.

1. Ventilatorul centrifugal în sus funcționează cu viteza setată, iar compresorul nu funcționează.
2. Reglarea temperaturii nu este eficientă.

Funcționare cronometru "N":

1. Apăsați butonul „N” pentru a seta timpul de oprire automată în timp ce unitatea este în funcțiune.
2. Apăsați butonul „N” pentru a seta automat la timp cât unitatea este gata.
3. Timpul poate fi reglat în intervalul de la 1 oră la 24 de ore prin apăsarea butonului "D" ( + ) sau "E" ( - ) .

Modul de repaus „I” și funcția de blocare a copiilor:

1. Modul de repaus funcționează atunci când unitatea se află în modul „K” de răcire.
2. Apăsați butonul "I" în modul rece "K", apoi unitatea va funcționa în modul de repaus, iar ventilatorul centrifugal în sus se va transforma automat în viteză mică. Temperatura setată va crește cu 1 °C după o oră și va crește cu 2 °C după două ore. După șase ore, unitatea nu va mai funcționa.
3. Apăsați butonul „I” pentru blocarea copiilor timp de trei secunde pentru ca toate celelalte funcții să nu le poată folosi. Apăsați din nou timp de 3 secunde pentru a debloca funcția de blocare a copilului, în timp ce toate celelalte funcții vor putea fi folosite din nou.

Funcționarea în modul „O” în mișcare:



Când dispozitivul este pornit, apăsați butonul "O", pârghia verticală se va aprinde sau se va opri. Când este pornit, cel mai tare se poate balansa înainte și înapoi în maxim 60 de grade. Apăsați din nou butonul „O”, înăbușitorul va înceta.

#### Înștiințare:

Placa de control principală are funcția de memorie, când dispozitivul este gata de a rula, dar în stare de oprire, placa de control principală poate memora inițializarea modului de lucru. Când porniți unitatea, aceasta va funcționa la fel ca aceeași punere în funcțiune a modului de lucru ca data trecută, fără a fi nevoie să resetați din nou modul de lucru. (Această condiție nu este disponibilă când unitatea este în modul AUTO "J".)

#### TELECOMANDA

1. Glisați capacul posterior pentru a deschide și scoateți filmul de izolare de pe baterii.
  2. Introduceți bateriile în slot, trebuie să corespundă semnelor "+" și "-" de pe telecomandă.
  3. Nu folosiți mult timp, scoateți bateriile.
  4. Pentru a preveni poluarea mediului, scoateți bateriile utilizate și aruncați în mod corespunzător siguranța.
- Pentru a acționa dispozitivul, vizați telecomanda (..) către receptorul de semnal. Telecomanda va acționa dispozitivul la o distanță de 5 metri atunci când indică receptorul de semnal al dispozitivului.

#### DISPOZITIVE DE PROTECTIE

Dispozitivul de protecție poate declanșa și opri aparatul în cazurile enumerate mai jos:

1. la modul de răcire: temperatura aerului din interior este peste 43 ° C (109 ° F)
2. la modul de răcire: temperatura camerei este sub 15 ° C (59 ° F)
3. la modul de deumidificare: temperatura camerei este sub 15 ° C (59 ° F).

Dacă dispozitivul funcționează în răcire „K” sau deumidifică modul „L” cu ușa sau fereastra deschisă mult timp, când umiditatea relativă depășește 80%, ar putea scurge roua din priză.

Dispozitivul de protecție va funcționa în următoarele cazuri:

1. Reporniți dispozitivul imediat după oprirea lucrului sau schimbarea modului selectat în timpul lucrului, trebuie să așteptați 3 minute.
2. Dacă dopul a fost scos, după repornirea dispozitivului va reveni la modul inițial, TIMER ON și TIMER OFF - trebuie să fie din nou reglate.

**ATENȚIE:** există reciclarea apei în condensare ascunsă în această unitate. Apa de condensare este parțial reciclată între condensator și placa de apă. Când nivelul apei crește la nivelul superior, întrerupătorul plutitor și indicatorul plin al apei (E4) se aprind pentru a aminti scurgerea apei. Vă rugăm să întrerupeți sursa de alimentare, mutați aparatul într-un loc adecvat, scoateți dopul de scurgere, scurgeți complet apa. După scurgere, reinstalați dopul, sau aparatul se poate scurge și vă va face camera umedă.

Dacă aparatul este plasat într-o poziție care admite apa de scurgere, puteți, de asemenea, conecta gaura de scurgere la portul de scurgere pentru a scurge apa. La kit se adaugă țeava de scurgere, cu diametrul interior 9mm, diametrul exterior 12mm, material: PVC.

Depanare

- 1) Probleme: nu funcționați.

Analiză:

- a) Poate că este declanșată declanșarea protectorului sau siguranța, vă rugăm să așteptați 3 minute și să începeți din nou, dispozitivul de protecție poate împiedica funcționarea dispozitivului.
- c) poate bateriile din telecomanda sunt epuizate.
- d) poate că fișa nu este corect conectată.

- 2) Probleme: funcționează doar pentru o perioadă scurtă de timp

Analiză:

- a) dacă temperatura setată este aproape de temperatura camerei, puteți scădea temperatura setată.
- b) poate că ieșirea de aer este blocată de obstacole. Luați obstacolul.

- 3) Probleme: funcționează, dar nu răcește

Analiză:

- a) poate ușa sau fereastra sunt deschise.
  - b) poate că la distanță apropiată există un alt aparat care lucrează la căldură precum încălzitorul sau lampa etc.
  - c) filtrul de aer este murdar, vă rugăm să îl curățați.
  - d) priza de aer sau admisia este blocată.
  - f) temperatura setată este prea mare.
- 4) Probleme: Scurgeri de apă în timpul deplasării.

Analiză:

- a) scurgeți condensul înainte de a vă deplasa.
  - b) pentru a evita scurgerile de apă, vă rugăm să localizați dispozitivul pe un teren plat.
- 5) Probleme: Nu funcționează și indicatorul complet de apă "E4"

Analiză:

- a) scoateți dopul de cauciuc pentru a scurge apa.
- b) dacă se află deseori în această stare, vă rugăm să contactați serviciul tehnic calificat.

Depanare

- 6) Probleme: dispozitivul nu reușește să pornească.

Analiză:

- a) poate nu este conectat. Deci, conectați-l.
  - b) poate daune pentru priză sau priză. Înlocuiți-l de către furnizorul de servicii.
  - c) poate siguranță spartă. Înlocuiți siguranța în funcție de furnizorul de servicii (specificația: 3,15A / 250 VAC).
- 7) Probleme: dispozitivul se oprește automat.

Analiză:

- a) timpul de închidere sau temperatura setată. Reporniți-l sau așteptați comutarea automată.
- 8) Probleme: fără aer rece în modul COOL „K”.

Analiză:

- a) temperatura camerei este mai mică decât temperatura setată. Este un fenomen normal, mașina se va comuta automat în timp ce temperatura camerei este mai mare decât temperatura setată.
  - b) Dispozitivul intră în protecție anti-îngheț. Dispozitivul va comuta automat după ce protecția anti-îngheț este încheiată.
- 9) Problemă: LED-ul afișează codul de eroare "E2"

Analiză:

- a) Senzorul de temperatură din cameră defectează sau deteriorează. Înlocuiți senzorul de temperatură al camerei de către furnizorul de servicii.

- 10) Problemă: LED-ul afișează codul de eroare "E3"

Analiză:

- a) senzorul conductei de ulei de evaporator eșuează sau este deteriorat. Înlocuiți senzorul conductei bobinei de evaporator de către furnizorul de servicii.

- 11) Problemă: LED-ul afișează codul de eroare "E4"

Analiză:

- a) avertizare plină cu apă. Scurgeți apa.

## CURATENIE SI MENTENANTA

### Întreținerea dispozitivului

1. Opriți dispozitivul mai întâi înainte de a vă deconecta de la sursa de alimentare.
2. Ștergeți cu o cârpă moale și uscată. Folosiți apă caldută sub 40C pentru a curăța dacă aparatul este foarte murdar.
3. Nu folosiți niciodată substanțe volatile, cum ar fi benzina sau pulberea de lustruit pentru a curăța dispozitivul.

### Întreținerea filtrului de aer

Este necesar să curățați filtrul de aer la fiecare 2 săptămâni dacă dispozitivul funcționează într-un mediu extrem de praf. Curățați după cum urmează:

1. Opriți dispozitivul mai întâi, împingeți filtrul de aer (poza F).
2. Curățați și reinstalați filtrul de aer.
3. Dacă murdăria este vizibilă, spălați-o cu o soluție de detergent în apă caldută. După curățare, uscați-l într-un loc

umbrit și răcoros, apoi reinstalați-l.

Întreținere după utilizare

1. Dacă dispozitivul nu va folosi mai mult timp, asigurați-vă că scoateți dopul de cauciuc al orificiului de scurgere al răcitorului superior (8) și dopul de cauciuc în jos orificiul de scurgere al răcitorului (9) al orificiului de scurgere, pentru a scurge apa .
2. Mențineți aparatul în funcțiune cu ventilatorul doar o jumătate de zi în timpul unei zile însorite pentru a usca aparatul în interior și a preveni să nu se mucescă.
3. Oprii dispozitivul și scoateți mufa cablului de alimentare, apoi scoateți bateriile telecomenzii și depozitați dispozitivul în mod corespunzător.
4. Curățați filtrul de aer și reinstalați-l.
5. Scoateți furtunurile de aer și depozitați-le în mod corespunzător și acoperiți gaura bine.

DATE TEHNICE:

Capacitate de răcire la BTU: 9000 BTU / oră

Capacitate de răcire în wați: 2600

Consumul de energie (răcire) W: 950 W

Volum: <= 65dB

Debit de aer: 380 m3 / h

Clasa energetică: A

Cronometru: 24 de ore

Greutatea lichidului de răcire R290: max. 200 grame



Atenție, risc de incendiu.

NU străpungeți și nu ardeți.

Rețineți că agentul frigorific nu poate conține miros.

Cantitatea maximă de încărcare a agentului frigorific:  
200g.



Din grija pentru mediul înconjurător. Ambalajele din carton vă rugăm să le transmiteți șa centrele de maculatură. Sacii din polietilenă (PE) trebuie aruncați în recipientele pentru materialele plastice. Dispozitivul uzat trebuie transmis la punctul corespunzător de depozitare, deoarece componentele periculoase care se găsesc în dispozitiv pot fi foarte periculoase pentru mediul înconjurător. Dispozitivul electric trebuie transmis în așa fel încât să se limiteze utilizarea lui repetată. Dacă în dispozitiv se găsesc baterii acestea trebuie scoase și transmise către punctul de depozitare a acestora, separat.

**BOSANSKI**

**OPĆI UVJETI SIGURNOSTI**

**VAŽNE SIGURNOSNE UPUTE PROČITAJTE UPOZORENJE I UŠTEDITE BUDUĆNOST**

1. Prije upotrebe uređaja, pročitajte korisnički priručnik i slijedite upute sadržane u njemu. Proizvođač ne odgovara za štetu nastalu upotrebom uređaja suprotno njegovoj predviđenoj namjeni ili nepravilnom radu.
2. Uređaj je namenjen samo za kućnu upotrebu. Ne koristite za druge svrhe koje nisu prema njegovoj predviđenoj namjeni.
3. Uređaj treba priključiti na izmjeničnu utičnicu samo uzemljenim 220 240V ~ 50Hz. Da bi se povećala operativna sigurnost, više električnih uređaja ne smije istovremeno biti povezano na jedan strujni krug.
4. Budite izuzetno oprezni kada koristite uređaj kada su djeca u blizini. Ne dozvolite djeci da se igraju s uređajem, ne dozvolite djeci ili osobama koje nisu upoznate s uređajem da ga koriste.
5. **UPOZORENJE:** Ovu opremu mogu koristiti djeca starija od 8 godina i osobe ograničene fizičke, senzorne ili mentalne sposobnosti, ili ljudi koji nemaju iskustva ili znanje o opremi, ako se to radi pod nadzorom odgovorne osobe radi njihove sigurnosti ili su im odobreni podaci o sigurnoj upotrebi uređaja i svjesni su opasnosti korištenja. Deca se ne smeju igrati sa opremom. Čišćenje i održavanje uređaja ne smiju obavljati djeca, osim ako su starija od

- 8 godina i ove aktivnosti se izvode pod nadzorom.
6. Uvek isključite utikač držeći utičnicu rukom nakon upotrebe. NE povlačite kabl za napajanje.
  7. Nemojte uranjati kabl, utikač i cijeli uređaj u vodu ili bilo koju drugu tečnost. Ne izlažite uređaj atmosferskim uvjetima (kiša, sunce itd...) I ne koristite u uvjetima visoke vlažnosti (kupaonice, vlažne mobilne kućice).
  8. Povremeno provjeravajte stanje kabela za napajanje. Ako je kabl za napajanje oštećen, zamijenite ga specijalnom servisnom radionicom kako biste izbjegli opasnost.
  9. Ne koristite uređaj s oštećenim kablom za napajanje ili ako je ispao ili oštećen na bilo koji drugi način ili ako ne radi ispravno. Ne popravljajte uređaj sami jer postoji opasnost od električnog udara. Oštećeni uređaj odnesite u odgovarajući servisni centar radi provjere ili popravljanja. Sve popravke smiju obavljati samo ovlašteni servisi. Nepravilno izvedeni popravci mogu predstavljati ozbiljnu opasnost za korisnika.
  10. Uređaj postavite na hladnu i stabilnu površinu, dalje od vrućih kuhinjskih uređaja kao što su: električni štednjak, plinski plamenik itd...
  11. Pazite da ništa ne blokira dovod i izlaz zraka na uređaju
  12. Koristite uređaj samo na ravnoj površini kako biste spriječili da se kondenzacija prolije
  13. Da biste osigurali dodatnu zaštitu, preporučljivo je u električni krug instalirati zaostalu struju (RCD), nazivna zaostala struja koja ne prelazi 30mA. Pitajte za to električara.
  14. Redovno čistite filter za vazduh. Učestalost čišćenja ovisi o čistoći zraka.
  15. Nakon isključenja uređaja pričekajte najmanje 5 minuta prije nego što ga ponovo uključite.
  16. Ne koristite uređaj na sunčanim mjestima. Kad se uređaj pregrijava, na njemu će se uključiti zaštita od pregrijavanja.
  17. Da bi se osiguralo efikasno hlađenje, treba ostati razmak od najmanje 60 cm između bočnih zidova uređaja i zida, namještaja ili zavjesa.
  18. Zbog ograničenih performansi uređaja, ako je razlika između ciljne temperature i temperature okoline prevelika, ciljna temperatura možda neće biti dosegnuta.
  19. Da biste smanjili rizik od požara, strujnog udara ili povreda prilikom upotrebe klima uređaja, pridržavajte se sledećih osnovnih mera predostrožnosti:
    - a) Spojite na uzemljenu utičnicu s 3 pina.
    - b) Ne uklanjajte uzemljenje.
    - c) Nemojte koristiti adapter.
    - d) Ne koristite produžni kabl.
    - e) Isključite klima uređaj prije servisiranja.
    - f) Koristite dvije ili više osoba za pomicanje i instaliranje klima uređaja.
  20. Ne koristite sredstva koja ubrzavaju proces odmrzavanja ili čišćenja drugačija od onih koje je preporučio proizvođač.
  21. Uređaj treba skladištiti u prostoriji bez stalno aktivnih izvora paljenja, na primjer: otvorene vatre, plinskih uređaja ili električnih grijača.

## PRIJE PRVI UPOTREBE - (slika E)

Priključke spojite na kanal za odvod zraka kako slijedi:

1. Izvucite izduvni kanal za zrak (10) izvlačenjem dva kraja kanala.
2. Zavijte kanal za odvod zraka (10) u priključak izduvnog kanala (11).
3. Priključite konektor za odvod zraka (11) na uređaj.

## OPOMENA:

1. Držite uređaj najmanje 1 metar od televizora ili radija da biste izbjegli elektromagnetske smetnje.
  2. Ne izlažite jedinicu izravnom suncu kako biste izbjegli izbljedijevanje boje na površini.
  3. Tijekom transporta jedinicu ne naginjte za više od 35 ° ili naglavačke. Ako se uređaj prevrnuo tijekom transporta, ispravno ga odložite i pričekajte 2-4 sata prije pokretanja.
  4. Postavite jedinicu na ravnu površinu sa nagibom manjim od 5 °.
  5. Uređaj djeluje efikasnije na određenim mjestima u sobi, odaberite najbolju lokaciju:
    - Pored prozora, vrata ili francuskog prozora.
    - Držite potrebnu udaljenost od izlaza povratnog zraka do zida ili drugih prepreka najmanje 60 cm.
    - Izdužite crevo za vazduh kako biste osigurali da drugi kraj creva za zrak ima prostor između vrata prozora, francuskog prozora ili zidnog otvora.
    - Izlaz ili usis zraka ne mogu se blokirati zaštitnom mrežom ili bilo kojom preprekom.
- Da biste produžili vijek trajanja uređaja, ispusite kondenziranu vodu iz gornjih (8) i donjih (9) otvora za odvod hladnjaka prije stavljanja jedinice na skladište na kraju sezone.

## OPIS UREDAJA (slike A i B)

- |                                   |                                     |
|-----------------------------------|-------------------------------------|
| 1. Upravljačka ploča              | 2. Odvod hladnog zraka              |
| 3. Signalni receptor              | 4. Daljinski upravljač              |
| 5. Transportna drška              | 6. Izduvni kanal                    |
| 7. Ulaz isparivača                | 8. Otvor za odvod gornjeg hladnjaka |
| 9. Otvor za odvod hladnjaka dolje | 10. Otvor za odvod zraka            |
| 11. Konektor za odvod zraka       | 12. Priključak za prozorske prozore |

## KONTROLA PANEL (slika C)

- |  |  |
|--|--|
| A. Taster za uključivanje / isključivanje        | B. Taster za brzinu ventilatora                |
| C. Dugme načina rada                             | D. Taster za podešavanje vremena / temperature |
| E. Taster za isključivanje vremena / temperature | F. Tipka za male brzine                        |
| G. Dugme velike brzine                           | H. Indikator napajanja                         |
| I. Dugme za spavanje i zaključavanje djeteta     | J. Automatski režim                            |
| K. Hladni način rada                             | L. Ispuštanje vlage                            |
| M. Način rada ventilatora                        | N. Dugme tastera                               |
| O. Dugme za oscilaciju                           | P. Zaključavanje za decu                       |

## DALJINSKI UPRAVLJAČ - slika D

Daljinski regulator šalje signale sistemu.

Taster "A" - aparat će se pokrenuti kada se napaja ili će se zaustaviti kada radi, ako pritisnete ovo dugme.

Taster "C" - pritisnite da biste odabrali režim rada: "J", "K", "L" ili "M".

Taster "B" - pritisnite ga da biste odabrali brzinu ventilatora u nizu.

Dugme "D" / "E" - pritisnite da biste podesili temperaturu u sobi i tajmer.

Taster "I" - pritisnite da biste postavili ili otkazali režim spavanja.

Taster "N" - pritisnite da biste podesili vrijeme automatskog isključivanja i automatskog uključivanja.

Dugme "O" - pritisnite da biste postavili ili otkazali način ljujanja žaluzija.

## UPRAVLJANJE PANELOM ZA UPRAVU

AUTOMATSKI / HLAĐENI / SUHI / Ventilator

1. Uključite uređaj.

a) Spojite uređaj, a zatim uređaj jednom piska. Lampica napajanja "H" svijetli.

b) Pritisnite tipku "A" i uređaj će se uključiti.

c) LED dioda prikazuje sobnu temperaturu i počinje raditi u automatskom režimu.

2. Odaberite režim rada

Pritisnite tipku "C" za odabir željenog načina rada prema redoslijedu:

Automatski režim "J" -> Režim hlađenja "K" -> Način sušenja "L" -> Način ventilatora "M."

3. Podesite temperaturu

Temperatura se može podesiti u rasponu od 15 ° -31 ° C. Pritisnite tipku „D“ ili „E“ da biste povećali ili smanjili temperaturu za 1 ° C jednim

pritisikom. LED ploča uređaja prikazuje ciljnu temperaturu u trajanju od 5 sekundi, a zatim prikazuje sobnu temperaturu.

#### 4. Podesite brzinu ventilatora

Pritisnite tipku "B" za odabir željene brzine ventilatora koja prikazuje po redosljedu:

Mala brzina "F" -> Velika brzina G

#### 5. Snaga

Kad ponovo pritisnete tipku "A", uređaj će se oglasiti "di", indikator napajanja "H" ugasit će se i prestati raditi.

6. Pritisnite ovo dugme "I" da biste ušli u režim mirovanja uređaja.

7. Pritisnite ovo dugme "N" za podešavanje vremenskog isključivanja.

8. Pritisnite ovo dugme "O" da biste podesili oscilacija oscilacije zraka.

Svaki princip rada:

#### AUTO "J" mod:

Jednom kada je odabran rad "J", osjetnik temperature u zatvorenom prostoru automatski radi i odabire jedan od sljedećih načina rada:

- Kad je sobna temperatura  $\geq 24$  unit, uređaj će automatski odabrati kul način rada „K“.

ili

- Kad je sobna temperatura  $< 24$  °C, uređaj će automatski odabrati režim velike brzine ventilatora „M“.

#### Odvlažite režim "L":

1. Upaljeni centrifugalni ventilator pokrenut će malom brzinom, a brzina se ne može prilagoditi.

2. Kompresor će se zaustaviti nakon rada 8 minuta, a zatim ponovo pokrenuti nakon 6 minuta.

3. Uređaj prihvaća režim konstantne odvlaživanja temperature, a podešavanje temperature nije učinkovito.

#### UPOZORENJE:

Pri radu s uređajem u uvjetima različite vlažnosti, otvor za ispuštanje hladnjaka (9) mora biti stalno otvoren i osiguravati stalnu odvodnju vode.

#### COOL "K" mod:

1. Kad je sobna temperatura viša od zadate temperature na upravljačkoj ploči, kompresor počinje raditi.

2. Kad je sobna temperatura niža od zadate temperature na upravljačkoj ploči, zaustavljanje kompresora i gornji ventilator rade izvornom podešenom brzinom.

#### Režim "M..." ventilatora.

1. Gore centrifugalni ventilator radi postavljenom brzinom, a kompresor ne radi.

2. Podešavanje temperature nije efikasno.

#### Rad tajmera "N":

1. Pritisnite tipku „N“ za podešavanje vremena automatskog isključivanja dok jedinica radi.

2. Pritisnite tipku "N" za podešavanje Automatsko uključeno vrijeme dok je jedinica spremna.

3. Vrijeme se može podesiti u rasponu od 1 sata do 24 sata pritisikom na tipku "D" ( + ) ili "E" ( - ) .

#### Režim mirovanja "I" rad i funkcija zaključavanja djece:

1. Način mirovanja djeluje kada se jedinica hladi "K" načinom.

2. Pritisnite tipku "I" u hladnom režimu "K", tada će jedinica raditi u stanju mirovanja i upaljeni centrifugalni ventilator automatski će se prebaciti na malu brzinu. Postavljena temperatura će se povećati za 1 °C nakon jednog sata, a povećati za 2 °C nakon dva sata. Nakon šest sati jedinica će prestati raditi.

3. Pritisnite tipku za zaključavanje djeteta "I" tri sekunde kako bi se ostale funkcije ne mogle koristiti. Pritisnite ponovo 3 sekunde, otključaćete funkciju za zaključavanje deteta, a sve ostale funkcije moći će je ponovo koristiti.

#### Rad u režimu ljuljanja "O":

Kad je uređaj uključen, pritisnite tipku "O", vertikalna letva će se uključiti ili isključiti. Kada je uključen, otvor se može ljuljati naprijed-nazad u roku od 60 stepeni. Ponovno pritisnite tipku "O", otvor će se prestati njihati.

## Biljeska:

Glavna upravljačka ploča ima funkciju memorije, kada je uređaj spreman za rad, ali u statusu zaustavljanja, glavna upravljačka ploča može upamtiti pokretanje radnog načina. Kad uključite jedinicu, ona će raditi isto kao i prošli put, nema potrebe za ponovnim postavljanjem radnog načina. (Ovaj uvjet nije dostupan ako je jedinica u režimu AUTO "J".)

## DALJINSKI UPRAVLJAC

1. Povucite zadnji poklopac da biste ga otvorili i skinite izolacijski film na akumulatorima.
  2. Stavite baterije unutar utora i moraju odgovarati znakovima "+" i "-" na daljinskom upravljaču.
  3. Izvadite baterije dugo vremena bez upotrebe.
  4. Da biste sprečili zagađenje okoline, izvadite rabljene baterije i odložite bezbednost i na odgovarajući način.
- Za rad uređaja usmjerite daljinski upravljač (..) prema signalnom receptoru. Daljinski upravljač će upravljati uređajem na udaljenosti od 5 metara kada će usmjeriti signal signala uređaja.

## ZAŠTITNI UREĐAJI

U sljedećim slučajevima zaštitni uređaj može otključati i zaustaviti uređaj:

1. pri načinu hlađenja: temperatura zraka u zatvorenom prostoru je iznad 43 ° C (109 ° F)
2. pri načinu hlađenja: sobna temperatura je ispod 15 ° C (59 ° F)
3. u režimu odvlaživanja zraka: sobna temperatura je ispod 15 ° C (59 ° F).

Ako uređaj radi u režimu hlađenja „K“ ili odvlaživanjem „L“ režima sa otvorenim vratima ili prozorima kada je relativna vlažnost vazduha iznad 80%, rosa može kapnuti iz utičnice.

Zaštitni uređaj će raditi u sledećim slučajevima:

1. Da biste ponovno pokrenuli uređaj odmah nakon zaustavljanja rada ili promjene odabranog načina rada, morate pričekati 3 minute.
2. Ako je utikač uklonjen, nakon ponovnog pokretanja uređaj će se vratiti u izvorni način rada, TIMER ON i TIMER OFF - ponovo se moraju postaviti.

**NAPOMENA:** unutar ovog uređaja nalazi se recikliranje kondenzacijske vode. Voda za kondenzaciju djelomično se nastavlja reciklirati između kondenzatora i vodene ploče. Kad nivo vode poraste na gornji nivo, svijetli prekidač plovkva i indikator pune vode (E4) koji podsjećaju na odvod vode. Prekinite napajanje, prebacite uređaj na prikladno mjesto, izvadite čep za odvod, potpuno ispuštite vodu. Nakon ispuštanja ponovo postavite utikač ili će aparat procuriti i učiniti da je vaša soba mokra.

Ako je aparat postavljen u položaj da dopušta drenažnu vodu, možete i za ispuštanje vode spojiti otvor za odvod. U komplet se dodaje odvodna cijev, unutrašnjeg promjera 9 mm, vanjskog promjera 12 mm, materijal: PVC.

## Otklanjanje problema

1) Problem: Ne radiće.

Analiza:

- a) možda se pokvari zaštitni zaštitnik ili osigurač, pričekajte 3 minute i pokrenite ponovo, uređaj zaštitnika možda sprečava rad uređaja.
- c) možda su istrošene baterije na daljinskom upravljaču.
- d) možda utikač nije ispravno priključen.

2) Problem: djeluje samo kratko vrijeme

Analiza:

- a) ako je postavljena temperatura blizu sobne temperature, možete sniziti postavljenu temperaturu.
- b) možda je otvor za zrak blokiran preprekom. Otklonite prepreku.

3) Problem: djeluje, ali ne hladi

Analiza:

- a) možda su vrata ili prozor otvoreni.
- b) možda se u neposrednoj blizini nalazi još jedan aparat koji toplinski radi, poput grijača ili lampe, itd...
- c) filter zraka je prljav, molim ga očistite.

d) blokiran je izlaz ili usis zraka.

f) podešena temperatura je previsoka

4) Problem: curenje vode tokom kretanja.

Analiza:

a) ispustite kondenzat prije pomicanja.

b) da biste izbjegli curenje vode, locirajte uređaj na ravnom terenu.

5) Problem: Ne radite i vodom puniti indikator "E4"

Analiza:

a) izvucite gumeni čep za ispuštanje vode.

b) ako je često u ovom stanju, obratite se kvalificiranom tehničkom servisu.

Otklanjanje problema

6) Problem: Uređaj se ne pokreće.

Analiza:

a) možda nije uključen u struju. Dakle, priključite ga.

b) možda oštećenja utikača ili utičnice. Zamenite od dobavljača usluga.

c) možda je osigurač pokvaren. Zamijenite osigurač od pružatelja usluga (specifikacija: 3,15A / 250VAC).

7) Problem: Uređaj se automatski zaustavlja.

Analiza:

a) isključivanje vremena ili podešena temperatura. Ponovo ga pokrenite ili pričekajte automatsko prebacivanje.

8) Problemi: nema hladnog vazduha u režimu COOL "K".

Analiza:

a) sobna temperatura niža od zadate temperature. To je normalna pojava, mašina će se automatski prebaciti dok je sobna temperatura viša od zadate temperature.

b) Uređaj ulazi u zaštitu od smrzavanja. Uređaj će se automatski prebaciti nakon završetka zaštite od smrzavanja.

9) Problemi: LED prikazuje kôd kvara "E2"

Analiza:

a) senzor sobne temperature ne radi ili se ošteti. Zamijenite senzor temperature u prostoriji od pružatelja usluga.

10) Problem: LED prikazuje kôd kvara "E3"

Analiza:

a) Senzor cijevi za ulje isparivača ne radi ili se ošteti. Zamijenite senzor cijevi namotaja isparivača kod davatelja usluga.

Analiza:

11) Problem: LED prikazuje kôd kvara "E4"

Analiza:

a) upozorenje puno vode Ispustite vodu.

## ČIŠĆENJE I ODRŽAVANJE

Održavanje uređaja

1. Prije isključenja napajanja isključite uređaj.

2. Obrišite mekom i suhom krpom. Za čišćenje ako je uređaj jako prljav, koristite mlaku vodu ispod 40C.

3. Nikada ne koristite isparljive tvari kao što su benzin ili prašak za poliranje za čišćenje uređaja.

Održavanje filtera za vazduh

Potrebno je čistiti filter zraka svaka 2 tjedna ako uređaj radi u izuzetno prašnjavom okruženju. Očistite na sledeći način:

1. Prvo zaustavite uređaj, gurnite filter za vazduh (Slika F).

2. Očistite i vratite filter za vazduh.

3. Ako je prljavština upadljiva, operite je otopinom deterdženta u mlakoj vodi. Nakon čišćenja osušite ga na zasjenenom i hladnom mjestu, a zatim ga ponovo postavite.

Održavanje nakon upotrebe

1. Ako uređaj neće koristiti duže vrijeme, obavezno izvucite gumeni čep gornjeg otvora za odvod hladnjaka (8) i otvor za odvod hladnjaka (9) otvora za odvod hladnjaka kako biste ispustili vodu .

2. Uređaj držite sa ventilatorom samo pola dana tokom sunčanog dana kako biste osušili uređaj iznutra i sprečili da postane plijesan.



3. Zaustavite uređaj i izvucite utikač, zatim izvadite baterije daljinskog upravljača i pravilno pohranite uređaj.
4. Očistite filtar za vazduh i ponovo ga umetnite.
5. Uklonite cijevi za zrak i pravilno ih pohranite, a rupu čvrsto pokrijte.

#### TEHNIČKI PODACI:

Kapacitet hlađenja na BTU: 9000 BTU / sat

Kapacitet hlađenja u vatima: 2600

Potrošnja energije (hlađenje) W: 950 W

Zapremina: <= 65dB

Protok zraka: 380 m<sup>3</sup> / h

Energetski razred: A

Tajmer: 24 sata

Težina R290 rashladne tečnosti: max. 200 grama



Oprez, opasnost od požara

NE bušite i ne palite.

Imajte na umu da rashladno sredstvo ne sadrži miris.

Maksimalna količina punjenja rashladnog sredstva: 200g.



Brinuci za okoliš. Molimo Vas da kartonska pakovanja odnesete u otkup otpadnog papira. Polietilenske džakove (PE) bacajte u kontejner za plastiku. Iskorišćen uređaj treba odneti na odgovarajuću deponiju, jer opasni sastojci koji se u njemu nalaze, mogu biti opasni za okoliš. Električni uređaj treba odneti na način, koji ograničava njegovu ponovnu upotrebu i korištenje. Ako se u uređaju nalaze baterije, treba ih izvaditi i odvojeno predati na deponiju. Uređaj se ne smije bacati u kontejner za komunalni otpad!!

## MAGYAR

### ÁLTALÁNOS BIZTONSÁGI FELTÉTELEK

### FONTOS BIZTONSÁGI UTASÍTÁSOK FIGYELMESEN OLVASSA EL ÉS TÖRVÉNYE JÖVŐBEN

1. A készülék használata előtt olvassa el a használati útmutatót, és kövesse az abban található utasításokat. A gyártó nem felel a kárért, amelyet az eszköz rendeltetésszerű használatának vagy nem megfelelő működésének okozott.
2. A készülék csak otthoni használatra készült. Ne használja más célra, amely nem a rendeltetésszerű.
3. A készüléket csak földelt 220 240 V ~ 50 Hz feszültségű hálózati aljzathoz szabad csatlakoztatni. Az üzembiztonság növelése érdekében több elektromos készüléket nem szabad egyszerre csatlakoztatni egy áramkörhöz.
4. Nagyon óvatosan járjon el az eszköz használatakor, ha a közelben vannak gyermekek. Ne engedje, hogy gyermekek játsszanak az eszközzel, ne engedjék, hogy gyermekek vagy a készüléket ismeretlen emberek használják.
5. FIGYELMEZTETÉS: Ezt a készüléket 8 évesnél idősebb gyermekek és korlátozott fizikai, érzékszervi vagy mentális képességekkel rendelkező személyek, vagy azok a személyek használhatják, akiknek nincs tapasztalata vagy ismerete a berendezésről, ha ezt egy felelős személy felügyelete alatt végzik. biztonságuk érdekében, vagy információkat kaptak nekik az eszköz biztonságos használatáról, és tisztában vannak annak használatának veszélyeivel. A gyermekek nem játszhatnak a felszereléssel. Az eszköz tisztítását és karbantartását csak gyermekek végezhetik, kivéve ha 8 évesnél idősebbek, és ezeket a tevékenységeket felügyelet mellett végzik el.
6. Használat után mindig húzza ki a hálózati csatlakozót az aljzat kezével. NE húzza be a tápkábelt.
7. Ne merítse a kábelt, a dugót és az egész készüléket vízbe vagy más folyadékba. Ne

tegye ki a készüléket légköri körülményeknek (eső, nap, stb.), illetve ne használja magas páratartalom esetén (fürdőszoba, nedves mobilházak).

8. Rendszeresen ellenőrizze a tápkábel állapotát. Ha a tápkábel sérült, akkor a veszély elkerülése érdekében szakszervizben kell cserélni.

9. Ne használja a készüléket sérült tápkábellel, ha leesett vagy egyéb módon megsérült, vagy nem működik megfelelően. Ne javítsa saját kezűleg a készüléket, mert fennáll az áramütés veszélye. Vigye a sérült készüléket megfelelő szervizközpontba ellenőrzés vagy javítás céljából. Minden javítást csak hivatalos szerviz végezhet. A helytelenül elvégzett javítások súlyos veszélyt jelenthetnek a felhasználó számára.

10. Helyezze a készüléket hűvös, stabil felületre, távol a forró konyhai készülékektől, például: elektromos tűzhely, gázégő stb.

11. Ellenőrizze, hogy semmi nem akadályozza-e a készülék levegő be- és kimenetet

12. A készüléket csak sík felületen használja, hogy megakadályozza a kondenzvíz kiömlését

13. A kiegészítő védelem érdekében tanácsos az áramkörbe beépíteni olyan maradékáram-  
eszközt (RCD), amelynek névleges maradékáram nem haladja meg a 30 mA-t. Kérdezzen  
egy villanszerelőtől.

14. Rendszeresen tisztítsa meg a légszűrőt. A tisztítás gyakorisága a levegő tisztaságától  
függ.

15. A gép kikapcsolása után várjon legalább 5 percet, mielőtt újra bekapcsolja.

16. Ne használja a készüléket napos helyeken. Amikor a készülék túlmeleged, a  
túlmelegedés elleni védelem bekapcsol.

17. A hatékony hűtés érdekében legalább 60 cm távolságot kell tartani a készülék oldalfalai  
és a fal, a bútor vagy a függöny között.

18. Az eszköz korlátozott teljesítménye miatt, ha a célhőmérséklet és a környezeti  
hőmérséklet közötti különbség túl nagy, előfordulhat, hogy a célhőmérsékletet nem érik el.

19. A légkondicionáló használatakor a tűz, áramütés vagy sérülés kockázatának  
csökkentése érdekében tartsa be a következő alapvető óvintézkedéseket:

a) Csatlakoztasson egy földelt aljzathoz 3 érintkezővel.

b) Ne vegye le a földelő karot.

c) Ne használja az adaptert.

d) Ne használjon hosszabbítót.

e) Szervizelés előtt húzza ki a légkondicionálót.

f) Használjon két vagy több embert a légkondicionáló mozgatásához és felszereléséhez.

20. A leolvasztás vagy tisztítás felgyorsítását célzó szereket csak a gyártó által ajánlott  
módon használjon.

21. Az eszközt olyan helyiségben kell tárolni, ahol nem működnek állandóan működő  
gyújtóforrások, például: nyílt tűz, gázkészülékek vagy elektromos fűtőberendezések.

#### ELSŐ HASZNÁLAT ELŐTT - (E kép)

Csatlakoztassa a csatlakozókat a levegőkivezető csőhöz az alábbiak szerint:

1. Húzza ki a légszívó vezetékét (10) a vezeték két végének kihúzásával.

2. Csavarja a levegő elszívó csövet (10) a levegő elszívó csatorna csatlakozójába (11).

3. Csatlakoztassa a légszívó vezeték csatlakozóját (11) a készülékhez.

## MEGJEGYZÉSEK:

1. Az elektromágneses interferencia elkerülése érdekében a készüléket tartsa legalább 1 méterre a TV-től vagy a rádiótól.
  2. Ne tegye ki az egységet közvetlen napfénynek, hogy elkerülje a felületi szín elhalványulását.
  3. Szállítás közben ne döntse meg az egységet 35 ° -nál nagyobb mértékben vagy fejjel lefelé. Ha a készüléket szállítás közben megfordították, tegye le, és indítás előtt várjon 2-4 óráat.
  4. Helyezze az egységet egy 5 ° -nál kisebb dőlésszögű sima felületre.
  5. Az egység bizonyos helyszíneken hatékonyabban működik, válassza ki a legjobb helyet:
    - Egy ablak, egy ajtó vagy egy francia ablak mellett.
    - A visszatérő levegő kiömlőnyílásától a falig vagy más akadályokig tartson legalább 60 cm-re a szükséges távolságot.
    - Húzza ki a légszövet, hogy a légtömlő másik végén legyen szabad hely az ablakajtó, a francia ablak vagy a falurat között.
    - A levegő kiömlőnyílását vagy beszívását nem akadályozhatja meg védőrács vagy bármilyen akadály.
- Az egység élettartamának meghosszabbítása érdekében ürítse ki a kondenzvizet a felső (8) és az alsó (9) hűtőcsatorna furataiból, mielőtt az egységet a szezon végén tárolná.

## KÉSZÜLÉK LEÍRÁSA (A és B kép)

- |  |                                 |
|--|---------------------------------|
| 1. Vezérlőpult                             | 2. Hideg levegő kimenet         |
| 3. Jelfogadó                               | 4. Távirányító                  |
| 5. Szállítófogantyú                        | 6. Kipufogócső                  |
| 7. Párolgató bemeneti nyílása              | 8. A hűtő felső lefolyó nyílása |
| 9. A hűtő lefolyó nyílása                  | 10. Levegő elszívócsatorna      |
| 11. A levegő elszívócsatorna csatlakozója. | 12. Ablak kipufogó adapter      |

## KEZELŐPANEL (C kép)

- |                                  |                                   |
|----------------------------------|-----------------------------------|
| A. Bekapcsoló gomb ON / OFF      | B. Ventilátor sebesség gomb       |
| C. Üzem mód gomb                 | D. Időzítő / hőmérséklet fel gomb |
| E. Időzítő / hőmérséklet le gomb | F. Kis sebességű gomb             |
| G. Nagy sebességű gomb           | H. Tápfeszültség-jelző            |
| I. Alvógomb és gyermekzár        | J. Automatikus üzemmód            |
| K. Hűvös üzemmód                 | L. Páramentesítés üzemmód         |
| M. Ventilátor üzemmód            | N. Időzítő gomb                   |
| O. Rezgésgomb                    | P... Gyermekzár                   |

## TÁVVEZÉRLŐ - D kép

A távirányító jeleket továbbít a rendszerre.

"A" gomb - a készülék bekapcsol, ha feszültség alatt áll, vagy működés közben leáll, ha ezt a gombot megnyomja.

"C" gomb - nyomja meg az üzemmód kiválasztásához: "J", "K", "L" vagy "M..".

"B" gomb - nyomja meg a ventilátor sebességének sorrendben történő kiválasztásához.

"D" / "E" gomb - nyomja meg a helyiség hőmérsékletének és az időzítő beállításához.

"I" gomb - nyomja meg az alvó üzemmód beállításához vagy visszavonásához.

"N" gomb - nyomja meg az automatikus kikapcsolás és az automatikus bekapcsolás idejének beállításához.

"O" gomb - nyomja meg, hogy beállítsa vagy törölje a lengéscsillapító lengési módot.

## A KEZELŐPANEL MŰKÖDTETÉSE

### AUTOMATIKUS / HŰTÉS / SZÁRÍTÁS / VENTILÁTOR

1. Kapcsolja be a készüléket.

a) Csatlakoztassa az eszközt, majd az eszköz egyszer sípól. A "H" jelzőfény világít.

b) Nyomja meg az "A" gombot, majd a készülék bekapcsol.

c) A LED-dióda megjeleníti a szobahőmérsékletet, és automatikus üzemmódban kezd működni.

2. Válassza ki az üzemmódot

Nyomja meg a "C" gombot, hogy sorrendben válassza ki a kívánt üzemmódot:

"J" automatikus üzemmód -> "K" hűtési mód -> "L" szárítási mód -> "M" ventilátor üzemmód

3. Állítsa be a hőmérsékletet

A hőmérsékletet 15 ° -31 ° C tartományban lehet beállítani. A „D” vagy az „E” gomb megnyomásával növelheti vagy csökkentheti a hőmérsékletet 1 ° C-kal egyszeri megnyomásával. A készülék LED-je 5 másodpercre megmutatja a célhőmérsékletet, majd megjeleníti a szobahőmérsékletet.

4. Állítsa be a ventilátor sebességét

Nyomja meg a "B" gombot a kívánt ventilátor sebesség kiválasztásához, sorrend szerint:

Kis sebességű "F" -> Nagy sebességű G

## 5. Teljesítmény

Az "A" gomb újbóli megnyomásakor a készülék "d" hangot ad, a "H" teljesítményjelző kialszik és nem működik.

6. Nyomja meg ezt az "I" gombot az eszköz alvó üzemmódjába lépéshez.

7. Nyomja meg ezt az "N" gombot az időzített kikapcsolás beállításához.

8. Nyomja meg ezt az "O" gombot a levegő lengési lengésének felfelé és lefelé történő beállításához.

Minden üzemmód működési elve:

**AUTO "J" mód:**

Miután kiválasztotta a "J" üzemmódot, a beltéri hőmérséklet-érzékelő automatikusan működik, és az alábbi üzemmódok egyikét választja:

- Ha a szobahőmérséklet  $\geq 24$  , az egység automatikusan a "K" üzemmódot választja.

vagy

- Ha a szobahőmérséklet  $< 24$  , a készülék automatikusan a "M" ventilátor sebesség üzemmódot választja.

**Páramentesítés az "L" módot:**

1. A felső centrifugális ventilátor alacsony sebességgel jár, és a fordulatszám nem állítható.

2. A kompresszor 8 perc múlva leáll, majd 6 perc múlva újra működik.

3. A készülék állandó hőmérsékleti szárító módot választ, és a hőmérséklet beállítása nem hatékony.

**FIGYELEM:**

Ha a készülékét változó páratartalom mellett üzemelteti, a hűtő leeresztőnyílásának (9) folyamatosan nyitottnak kell lennie, és biztosítania kell a víz állandó elvezetését.

**HŰTÉS "K" mód:**

1. Ha a helyiség hőmérséklete magasabb, mint a kezelőpanelen beállított hőmérséklet, a kompresszor elkezd működni.

2. Ha a helyiség hőmérséklete alacsonyabb, mint a kezelőpanelen beállított hőmérséklet, a kompresszor leáll és a felső ventilátor az eredeti beállított sebességgel működik.

Ventilátor "M." üzemmódban.

1. A felső centrifugális ventilátor beállított sebességgel jár, és a kompresszor nem jár.

2. A hőmérséklet beállítása nem hatékony.

**"N" időzítő művelet:**

1. Nyomja meg az „N” gombot az automatikus kikapcsolási idő beállításához, amíg a készülék működik.

2. Nyomja meg az „N” gombot az automatikus bekapcsolási idő beállításához, amíg az egység készen áll.

3. Az idő 1 órá és 24 óra közötti tartományban állítható be a "D" ( + ) vagy az "E" ( - ) gomb megnyomásával.

**Alvó üzemmód "I" működés és gyermekzár funkció:**

1. Az alvó üzemmód akkor működik, amikor az egység "K" üzemmódban van.

2. Nyomja meg az "I" gombot hűvös "K" üzemmódban, ezután az egység alvó üzemmódban működik, és a centrifugális ventilátor automatikusan alacsony fordulatszámra vált. A beállított hőmérséklet  $1\text{ }^{\circ}\text{C}$  -kal növekszik egy óra után, és  $2\text{ }^{\circ}\text{C}$  -ra növekszik két óra után. Hat óra elteltével a készülék leáll.

3. Nyomja meg három másodpercig az "I" gyermekzár gombot, hogy az összes többi funkció nem használható.

Nyomja meg ismét 3 másodpercig, hogy feloldja a gyermekzár funkciót, míg az összes többi funkció újra felhasználható legyen.

**"O" üzemmód működése:**

Amikor a készülék be van kapcsolva, nyomja meg az "O" gombot, a függőleges redőny be- vagy kikapcsol. Amikor be van kapcsolva, a zsalu 60 fokon belül előre-hátra fordulhat. Nyomja meg ismét az "O" gombot, a zsalu leáll.

**Értesítés:**

A fő vezérlőpult memória funkcióval rendelkezik, amikor az eszköz készen áll a működésre, de leállási állapotban a fő vezérlőpanel képes megjegyezni a munka üzemmód inicializálását. Amikor bekapcsolja az egységet, az ugyanúgy működik, mint a legutóbbi, a munkamódot nem kell újra alaphelyzetbe állítani. (Ez a feltétel nem érhető el, ha az egység "J" AUTO üzemmódban van.)

## TÁVIRÁNYÍTÓ

1. Csúsztassa el a hátsó fedelet, hogy kinyíljon, és vegye le az akkumulátorok szigetelő filmjét.
2. Helyezze az elemeket a nyílásba, a távirányítón a „+” és „-” jeleknek meg kell felelnie.
3. Hosszú ideig, ha nem használja, vegye ki az elemeket.
4. A környezetszennyezés elkerülése érdekében vegye ki a használt elemeket, és ártalmatlanítsa megfelelő módon.

A készülék működtetéséhez irányítsa a távirányítót (..) a jelfogadóra. A távirányító az eszközt 5 méter távolságra fogja működtetni, amikor a készülék jelérzékelőjére mutat.

## VÉDELMI ESZKÖZÖK

A védőberendezés kioldhat és leállíthatja a készüléket az alábbiakban felsorolt esetekben:

1. hűtés üzemmódban: a beltéri levegő hőmérséklete meghaladja a 43 ° C (109 ° F)
2. hűtés üzemmódban: a szobahőmérséklet 15 ° C (59 ° F) alatt van
3. szárítás közben: a szobahőmérséklet 15 ° C (59 ° F) alatt van.

Ha a készülék „K” hűtéssel működik, vagy „L” üzemmódban szárítja az ajtót vagy ablakot, ha a nedvességtartalom hosszú ideig nyitva van, amikor a relatív páratartalom 80% felett van, akkor a harmat csepeghet a kilépő nyílásból.

A védőberendezés a következő esetekben működik:

1. A munka leállítása vagy a kiválasztott üzemmód munkavégzés megváltoztatása után azonnal indítsa újra a készüléket, 3 percig kell várnia.
2. Ha a csatlakozót kihúzták, az eszköz újraindítása után visszatér az eredeti üzemmódba, újra be kell állítani a TIMER ON és TIMER OFF - időzítőt.

**MEGJEGYZÉS:** a kondenzvíz újrahasonosítása rejtett ebben az egységben. A kondenzvíz részben újrahasonosításra kerül a kondenzátor és a vízlemez között. Amikor a vízszint emelkedik a felső szintre, az úszókapcsoló és a teljes vízjelző (E4) világít, hogy emlékeztessen a kifolyó vizet. Kérjük, szakítsa meg az áramellátást, helyezze a készüléket megfelelő helyre, vegye le a lefolyó dugót, engedje le teljesen a vizet. A lefolyás után helyezze vissza a dugaszt, mert a készülék szivároghat és megnedvesítheti a helyiségét.

Ha a készüléket olyan helyzetbe helyezik, amely felszívja a vizet, akkor a lefolyó lyukat a leeresztő nyíláshoz is csatlakoztathatja a víz elvezetéséhez. A leeresztő cső a készlethez tartozik, belső átmérője 9 mm, külső átmérője 12 mm, anyaga: PVC.

## Hibaelhárítás

1) Hiba: Ne dolgozzon.

Elemzés:

- a) Lehet, hogy a védő kioldása vagy a biztosíték kiegészít, várjon 3 percet, és indítsa újra, a védőberendezés megakadályozhatja az eszköz működését.
- c) lehet, hogy a távirányító elemei kimerültek.
- d) lehet, hogy a csatlakozó nincs megfelelően bedugva.

2) Hiba: csak rövid ideig működik

Elemzés:

- a) Ha a beállított hőmérséklet megközelíti a szobahőmérsékletet, akkor csökkentheti a beállított hőmérsékletet.
- b) talán akadály akadályozza meg a levegő kilépését. Vegye ki az akadályt.

3) Hiba: Működik, de nem hűti le

Elemzés:

- a) lehet, hogy az ajtó vagy az ablak nyitva van.
- b) Talán közel van egy másik hőmegmunkáló készülék, például fűtőelem vagy lámpa stb.
- c) piszkos a légszűrő, kérjük, tisztítsa meg.
- d) a levegő kilépése vagy beszívása el van zárva.
- f) a beállított hőmérséklet túl magas.

4) Hiba: Vízszivárgás mozgás közben.

Elemzés:

- a) mozgás előtt engedje le a kondenzátumot.

b) A vízszivárgás elkerülése érdekében kérjük, helyezze a készüléket sík földre.

5) Hiba: Ne dolgozzon és a víz teljes jelzője "E4"

Elemzés:

a) húzza ki a gumi dugót a víz leeresztéséhez.

b) ha gyakran ilyen állapotban van, vegye fel a kapcsolatot szakképzett műszaki szakemberrel.

Hibaelhárítás

6) Hiba: Az eszköz nem indul el.

Elemzés:

a) talán nincs csatlakoztatva. Tehát dugja be.

b) esetleg dugó vagy aljzat károsodhat. Cserélje ki a szolgáltatót.

c) talán megszakadt a biztosíték Cserélje ki a biztosítékot a szolgáltatónál (specifikáció: 3,15A / 250VAC).

7) Hiba: Az eszköz automatikusan leáll.

Elemzés:

a) az időzítés leállítása vagy a beállított hőmérséklet elérése. Indítsa újra, vagy várja meg az automatikus váltást.

8) Hiba: nincs hideg levegő COOL "K" üzemmódban.

Elemzés:

a) a szobahőmérséklet alacsonyabb, mint a beállított hőmérséklet. Ez egy normális jelenség, ha a gép automatikusan átvált, miközben a szobahőmérséklet magasabb, mint a beállított hőmérséklet.

b) A készülék fagyvédelmet biztosít. A készülék automatikusan átkapcsol, miután a fagyvédelem lejárt.

9) Hiba: A LED az "E2" hibakódot jeleníti meg

Elemzés:

a) a szobahőmérséklet-érzékelő meghibásodik vagy megrongálódik. Cserélje ki a helyiség hőmérséklet érzékelőt a szolgáltatóra.

10) Hiba: A LED az "E3" hibakódot jeleníti meg

Elemzés:

a) a párologtató olajcső-érzékelő meghibásodott vagy megsérült. Cserélje ki a párologtató tekerescső-érzékelőt a szolgáltatóra.

11) Hiba: A LED az "E4" hibakódot jeleníti meg

Elemzés:

a) vízzel teli figyelmeztetés. Engedje ki a vizet.

## TISZTÍTÁS ÉS KARBANTARTÁS

### Készülék karbantartása

1. Mielőtt lekapcsolja az áramellátást, először kapcsolja ki a készüléket.

2. Törölje le puha, száraz ruhával. A tisztításhoz 40 ° C alatti langyos vizet használjon, ha a készülék nagyon szennyezett.

3. Soha ne használjon illékony anyagokat, például benzint vagy polírozóport a készülék tisztításához.

### Légszűrő karbantartása

Ha a készülék rendkívül poros környezetben működik, kéthetente meg kell tisztítani a légszűrőt. A

következőképpen tisztítsa meg:

1. Először állítsa le a készüléket, nyomja fel a légszűrőt (F kép).

2. Tisztítsa meg és helyezze vissza a légszűrőt.

3. Ha a szennyeződés szembetűnő, mossa le langyos vízzel mosószerrel. Tisztítás után szárítsa meg árnyékolt és hűvös helyen, majd helyezze vissza.

### Karbantartás használat után

1. Ha az eszközt hosszabb ideig nem használja, akkor húzza ki a hűtő felső leeresztőnyílásának (8) gumi dugóját és a leeresztőnyílás gumicsatlakozójának hűtőcsatorna-nyílását (9) annak érdekében, hogy a víz kifolyjon .

2. A napsütéses napon csak fél napig működtesse a ventilátort, hogy a készülék belsejében kiszáradjon, és megakadályozza a penészedést.

3. Állítsa le az eszközt, húzza ki a tápkábel csatlakozóját, majd vegye ki a távirányító elemeit és tárolja a készüléket megfelelően.

4. Tisztítsa meg a légszűrőt és telepítse újra.

5. Távollítsa el a légcsőveket, és tárolja megfelelően, és fedje le a lyukat szorosan.

#### MŰSZAKI ADATOK:

Hűtőteljesítmény BTU-nál: 9000 BTU / óra

Hűtőteljesítmény wattban: 2600

Energiafogyasztás (hűtés) W: 950 W

Térfogat: <= 65dB

Légáram: 380 m<sup>3</sup> / h

Energiaosztály: A

Időzítő: 24 óra

R290 hűtőfolyadék tömege: max. 200 gramm



Vigyázat, tűzveszély.

NE átszúrja vagy égesse.

Vegye figyelembe, hogy a hűtőközeg nem tartalmazhat szagokat.

A hűtőközeg maximális töltöttsége: 200 g.



A környezet védelme érdekében kérjük külön karton dobozok és műanyag zsákokat és dobja őket a megfelelő hulladék közé. Használt készüléket kell eljuttatni a kijelölt gyűjtőhelyekre miatt veszélyes elemek alkatrészeket, amelyek hatással lehetnek a környezetre. Ne dobja a készüléket a közös szemétkosárba.

## SUOMI

### YLEISET TURVALLISUUSOLOSUHTEET

#### TÄRKEITÄ TURVAOHJEITA LUE HUOLELLISESTI JA SÄILYTÄ TULEVAISUUTTA

1. Lue käyttöohjeet ja noudata niiden ohjeita ennen laitteen käyttöä. Valmistaja ei ole vastuussa vahingoista, jotka aiheutuvat laitteen käyttötarkoituksen vastaisesta käytöstä tai virheellisestä käytöstä.
2. Laite on tarkoitettu vain kotikäyttöön. Älä käytä muihin tarkoituksiin, jotka eivät ole sen käyttötarkoitukseen.
3. Laite saa kytkeä vain pistorasiaan, jonka maadoitus on 220 240 V ~ 50 Hz. Käyttöturvallisuuden lisäämiseksi useita sähkölaitteita ei tule kytkeä samaan virtapiiriin.
4. Ole erityisen varovainen käyttäessäsi laitetta, kun lapset ovat lähellä. Älä anna lasten leikkiä laitteen kanssa, älä anna lasten tai muiden tuntemattomien käyttää sitä.
5. VAROITUS: Tätä laitetta voivat käyttää yli 8-vuotiaat lapset ja henkilöt, joilla on rajoitetut fyysiset, aisti- tai henkiset kyvyt tai ihmiset, joilla ei ole kokemusta tai tietoa laitteista, jos tämä tehdään vastuussa olevan henkilön valvonnassa. heidän turvallisuutensa vuoksi tai heille on annettu tietoja laitteen turvallisesta käytöstä ja he ovat tietoisia laitteen käytön vaaroista. Lasten ei tulisi leikkiä laitteilla. Laitetta ei saa puhdistaa ja huoltaa, elleivät lapset ole yli 8-vuotiaita ja nämä toimet suoritetaan valvonnassa.
6. Irrota virtajohto aina pitämällä pistorasiaa kädellä käytön jälkeen. ÄLÄ vedä virtajohtoa.
7. Älä upota kaapelia, pistoketta ja koko laitetta veteen tai muuhun nesteeseen. Älä altista laitetta ilmasto-olosuhteille (sade, aurinko jne.) Tai käytä korkean kosteuden olosuhteissa (kylpyhuoneet, kosteat asuntovaunut).
8. Tarkista säännöllisesti virtajohdon kunto. Jos virtajohto on vaurioitunut, se on vaihdettava erikoistuneeseen korjaamoon vaaran välttämiseksi.
9. Älä käytä laitetta vaurioituneen virtajohdon kanssa tai jos se on pudonnut tai vaurioitunut jollakin muulla tavalla tai jos se ei toimi oikein. Älä korjaa laitetta itse, koska siinä on sähköiskun vaara. Vie vaurioitunut laite asianmukaiseen huoltokeskukseen tarkistamista tai korjaamista varten. Kaikki korjaukset saa suorittaa vain valtuutetut huoltoliikkeet. Väärin suoritettavat korjaukset voivat aiheuttaa vakavan vaaran käyttäjälle.

10. Sijoita laite viileälle, vakaalle alustalle, pois kuumista keittiövälineistä, kuten sähköliesi, kaasupoltin jne.
11. Varmista, että mikään ei estä laitteen ilmanottoa ja poistoa
12. Käytä laitetta vain tasaisella pinnalla estämään kondenssiveden valuminen
13. Lisäsuojauksen tarjoamiseksi on suositeltavaa asentaa sähkövirtapiiriin jäännösvirtalaite (RCD), jonka nimellisvirtavirta ei ylitä 30mA. Pyydä sitä sähköasentajalta.
14. Puhdista ilmansuodatin säännöllisesti. Puhdistuksen tiheys riippuu ilman puhtaudesta.
15. Kun olet sammuttanut koneen, odota vähintään 5 minuuttia ennen kuin kytket sen takaisin päälle.
16. Älä käytä laitetta aurinkoisissa paikoissa. Kun laite ylikuumenee, ylikuumenemissuoja kytkee laitteen päälle.
17. Tehokkaan jäähdytyksen varmistamiseksi laitteen sivuseinämiä ja seinän, huonekalujen tai verhojen välillä on pidettävä vähintään 60 cm:n etäisyys.
18. Laitteen rajallisen suorituskyvyn vuoksi, jos tavoitelämpötilan ja ympäristön lämpötilan välinen ero on liian suuri, tavoitelämpötilaa ei ehkä saavuteta.
19. Tulipalo-, sähköisku- tai loukkaantumisriskin vähentämiseksi ilmastointilaitetta käytettäessä noudata seuraavia perusvaroitoimia:
  - a) Kytke maadoitettuun pistorasiaan 3 tapilla.
  - b) Älä poista maadoituskärkiä.
  - c) Älä käytä sovitinta.
  - d) Älä käytä jatkojohtoa.
  - e) Irrota ilmastointilaitte ennen huoltoa.
  - f) Siirrä ja asenna ilmastointilaitte kahdella tai useammalla henkilöllä.
20. Älä käytä muita kuin valmistajan suosittelemia aineita, jotka nopeuttavat sulatus- tai puhdistusprosessia.
21. Laitetta tulisi varastoida huoneessa, jossa ei ole jatkuvasti toimivia sytytyslähteitä, esimerkiksi: avotuli, kaasulaitteet tai sähkölämmittimet.

#### ENNEN ENSIMMÄISTÄ KÄYTTÖÄ - (kuva E)

Kytke liittimet ilman poistoputkeen seuraavasti:

1. Jatka ilmanpoistoputkea (10) vetämällä kanavan molemmat päät.
2. Kierrä ilmanpoistoputki (10) ilmanpoistoputken (11) liittimeen.
3. Kytke ilmanpoistoputken liitin (11) laitteeseen.

#### HUOMAUTUKSET:

1. Pidä yksikkö vähintään metrin päässä televisioista tai radiosta, jotta vältetään sähkömagneettiset häiriöt.
  2. Älä altista laitetta suoralle auringonvalolle, jotta pinnan väri ei haalistu.
  3. Älä kallista laitetta yli 35 ° tai ylösalaisin kuljetuksen aikana. Jos laite on käännetty kuljetuksen aikana, laita se oikein alas ja odota 2–4 tuntia ennen käynnistämistä.
  4. Aseta yksikkö tasaiselle alustalle, jonka kaltevuus on alle 5 °.
  5. Yksikkö toimii tehokkaammin tietyissä huoneissa, valitse paras sijainti:
    - Ikkunan, oven tai ranskalaisen ikkunan vieressä.
    - Pidä vaadittu etäisyys paluuilman poistoaukosta seinään tai muihin esteisiin vähintään 60 cm.
    - Jatka ilmaletkua varmistaaksesi, että ilmaletkun toisessa päässä on vällys ikkunan oven, ranskalaisen ikkunan tai seinäreiän välillä.
    - Ilmaaukkoa tai imuaukkoa ei voida tukkia suojaverkolla tai millään esteellä.
- Pidentääksesi laitteen käyttöikää, tyhjennä kondenssivesi ylemmästä (8) ja alemmasta (9) jäähdyttimen tyhjennysreikistä ennen laitteen asettamista varastoon kauden lopussa.



## LAITTEEN KUVAUS (kuvat A ja B)

1. Ohjauspaneeli
2. Kylmän ilman poistoaukko
3. Signaalin vastaanotin
4. Kaukosäädin
5. Kuljetuskahva
6. Pakoputki
7. Höyrystimen tulo
8. Jäähdyttimen ylempi tyhjennysreikä
9. Jäähdyttimen tyhjennysreian alaspäin
10. Ilmanpoistoputki
11. Ilmanpoistoputken liitin
12. Ikkunoiden pakoputken sovitin

## OHJAUSPANEELI (kuva C)

- A. Virtapainike ON / OFF
- B. Tuulettimen nopeuspainike
- C. Tilapainike
- D. Ajastin / Lämpötila ylös -painike
- E. Ajastin / Lämpötila-painike
- F. Hidas nopeuspainike
- G. Nopea painike
- H. Virran merkivalo
- I. Sleep-painike ja lapsilukko
- J. Automaattinen tila
- K. Jäähdytystila
- L. Kuivaustila
- M. Tuulettimen tila
- N. Ajastinpainike
- O. Oskillointipainike
- P... Lapsilukko

## Kauko-ohjain - kuva D

Kaukosäädin lähettää signaaleja järjestelmään.

Painike "A" - laite käynnistetään, kun siihen kytketään virta, tai se pysähtyy, kun se toimii, jos painat tätä painiketta.

Painike "C" - paina sitä valitaksesi käyttötavan: "J", "K", "L" tai "M..".

Painike "B" - paina sitä valitaksesi puhaltimen nopeuden peräkkäin.

Painike "D" / "E" - paina säätääksesi huoneen lämpötilaa ja ajastinta.

Painike "I" - paina asettaaksesi tai peruuttaaksesi lepotilan.

Painike "N" - paina asettaaksesi automaattisen sammutuksen ja automaattisen päällekytkentäajan.

Painike "O" - paina asettaaksesi tai peruuttaa säleikköjen kääntymistilan.

## OHJAUSPANEELIN KÄYTTÖ

Automaattinen / viileä / kuiva / tuuletin

1. Käynnistä laite.

a) Kytke laite ja laite piippaa kerran. H-virran merkivalo palaa.

b) Paina "A" -painiketta, laite käynnistyy.

c) LED-diodi näyttää huoneen lämpötilan ja alkaa toimia automaattitilassa.

2. Valitse käyttötila

Paina "C" -painiketta valitaksesi halutun toimintatavan järjestyksessä:

Automaattinen tila "J" -> Jäähdytystila "K" -> Kuivaustila "L" -> Tuulettimen tila "M."

3. Säädä lämpötila

Lämpötila voidaan asettaa alueelle 15 ° -31 ° C. Painamalla "D" tai "E" -painiketta voit nostaa tai laskea lämpötilaa 1 ° C painamalla kerran.

Laitteen LED-paneeli näyttää tavoitelämpötilan 5 sekunnin ajan ja sitten huoneen lämpötilan.

4. Säädä tuulettimen nopeutta

Paina painiketta "B" valitaksesi halutun tuulettimen nopeuden näytön järjestyksessä:

Matala nopeus "F" -> nopea nopeus G

5. Virta

Kun painat "A" -painiketta uudelleen, laite kuulostaa "di", virran merkivalo "H" sammuu ja lakkaa toimimasta.

6. Paina tätä painiketta "I" siirtyäksesi laitteen lepotilaan.

7. Aseta ajastettu sammutus painamalla tätä painiketta "N".

8. Paina tätä painiketta "O" asettaaksesi heilurin heilahtelu ylöspäin.

Jokaisen moodin toimintaperiaate:

AUTO "J" -tila:

Kun toiminto "J" on valittu, sisälämpötila-anturi toimii automaattisesti ja se valitsee yhden seuraavista toimintatiloista:

- Kun huonelämpötila on  $\geq 24$  °C, yksikkö valitsee automaattisesti viileän tilan "K" -tilan.

tai

- Kun huonelämpötila on < 24 °C, yksikkö valitsee automaattisesti puhaltimen nopeuden tilan "M".

Kuivaa "L" -tila:

1. Yläsentrifugaalipuhallin käy hitaalla nopeudella, eikä nopeutta voida säätää.
2. Kompessorin pysähtyminen käyntiin 8 minuutin kuluttua ja käy sitten uudelleen 6 minuutin kuluttua.
3. Laite siirtyy lämpötilan vakiokuivausmoodiin, eikä lämpötilan säätäminen ole tehokasta.

VAROITUS:

Kun laitetta käytetään vaihtelevassa kosteudessa, jäädyttimen tyhjennysreiän (9) tulee olla jatkuvasti auki ja varmistaa veden jatkuva tyhjennys.

COOL "K" -tila:

1. Kun huonelämpötila on korkeampi kuin ohjauspaneelissa asetettu lämpötila, kompressorin alkaa käydä.
2. Kun huonelämpötila on alhaisempi kuin ohjauspaneelissa asetettu lämpötila, kompressorin pysäytys ja ylempi tuuletin toimivat alkuperäisellä asetetulla nopeudella.

Tuuletin "M..." -tila.

1. Yläsentrifugaalipuhallin käy asetetulla nopeudella ja kompressorin ei käy.
2. Lämpötilan säätö ei ole tehokasta.

Ajastimen toiminta "N":

1. Aseta automaattinen sammutusaika painamalla N-painiketta laitteen ollessa käynnissä.
2. Paina "N" -painiketta asettaaksesi automaattisen käynnistysajan, kun laite on valmis.
3. Aika voidaan säätää välillä 1 tunti - 24 tuntia painamalla painiketta "D" ( + ) tai "E" ( - ) .

Lepotilan "I" käyttö ja lapsilukko:

1. Lepotila toimii, kun yksikkö on jäädytystilassa "K".
2. Paina painiketta "I" viileässä tilassa "K", sitten yksikkö toimii lepotilassa ja keskipakopuhallin kääntyy automaattisesti alhaiseen nopeuteen. Asetettu lämpötila nousee 1 °C tunnin kuluttua ja nousee 2 °C kahden tunnin kuluttua. Kuuden tunnin kuluttua laite lopettaa toiminnan.
3. Paina lapsilukkopainiketta "I" kolmen sekunnin ajan, jotta kaikkia muita toimintoja ei voida käyttää. Painamalla 3 sekuntia uudelleen, lapsilukko lukitaan, kun taas kaikkia muita toimintoja voidaan käyttää uudelleen.

"O" -tilan toiminta:

Kun laite on päällä, paina painiketta "O", pystysuuntainen säleikkö syttyy tai sammuu. Kun se on päällä, säleikkö voi kääntyä edestakaisin 60 asteen sisällä. Paina uudelleen painiketta "O", säleikkö lopettaa heilumisen.

Ilmoitus:

Pääohjauskortilla on muistitoiminto, kun laite on käyttövalmis, mutta pysäytystilassa pääohjauskortti voi muistaa työtilan alustuksen. Kun kytket laitteen päälle, se toimii samalla tavoin kuin työtila viimeksi, eikä työtilaa tarvitse nollata uudelleen. (Tämä ehto ei ole käytettävissä, kun laite on AUTO-tilassa "J".)

KAUKOSÄÄDIN

1. Liu'uta takakansi avataksesi ja irrottaa paristojen erotuskalvo.
  2. Aseta paristot korttipaikkaan, niiden vastattava kauko-ohjaimen merkkejä "+" ja "-".
  3. Poista paristot pitkään aikaan, kun sitä ei käytetä.
  4. Ympäristön pilaantumisen estämiseksi ota käytetyt paristot pois ja hävitä ne turvallisesti ja asianmukaisesti.
- Jos haluat käyttää laitetta, kohdistaa kaukosäädin (..) signaalin vastaanottimeen. Kaukosäädin käyttää laitetta 5 metrin etäisyydellä osoittaessaan laitteen signaalin vastaanottimeen.

SUOJALAITTEET

Suojalaite voi laukaista ja sammuttaa laitteen seuraavissa tapauksissa:

1. jäädytystilassa: sisäilman lämpötila on yli 43 °C (109 °F)

2. jäähdystysilassa: huoneen lämpötila on alle 15 ° C (59 ° F)
3. kosteudenpoistotilassa: huoneen lämpötila on alle 15 ° C (59 ° F).

Jos laite toimii jäähdystysilassa "K" tai kuivaa "L" -tilaa oven tai ikkunan ollessa auki pitkään, kun suhteellinen kosteus on yli 80%, kaste voi tiptua poistoaukosta.

Suojalaite toimii seuraavissa tapauksissa:

1. Käynnistä laite uudelleen heti työn lopettamisen jälkeen tai valitun tilan vaihtamisen työskentelyn aikana, sinun on odotettava 3 minuuttia.
2. Jos pistoke on poistettu, laite palaa alkuperäiseen tilaan uudelleenkäynnistyksen jälkeen, TIMER ON ja TIMER OFF - on asetettava uudelleen.

**HUOMAUTUS:** Laitteessa on piilotettu kondenssiveden kierrätys. Lauhteluvesi kierrätetään osittain lauhduttimen ja vesilevyn välillä. Kun vesitaso nousee ylemmälle tasolle, kellukytkin ja veden täyden merkkivalo (E4) syttyvät muistuttamaan veden tyhjennystä. Katkaise virransyöttö, siirrä laite sopivaan paikkaan, poista tyhjennystulppa ja tyhjennä vesi kokonaan. Asenna pistoke tyhjennyksen jälkeen uudelleen. Muuten laite voi vuotaa ja tehdä huoneestasi märkä.

Jos laite on sijoitettu tyhjennysvettä päästävään paikkaan, voit myös kytkeä tyhjennysreiän tyhjennysporttiin veden tyhjentämiseksi. Sarjaan on lisätty tyhjennysputki, jonka sisähalkaisija on 9 mm, ulkohalkaisija 12 mm, materiaali: PVC.

Ongelmien kartoittaminen

1) Vika: Älä toimi.

analyysi:

- a) Ehkä suojuksen laukaisu tai sulake on palanut, odota 3 minuuttia ja käynnistä uudelleen, suojalaite saattaa estää laitetta toimimasta.
- c) Ehkä kaukosäätimen paristot ovat tyhjä.
- d) Ehkä pistoketta ei ole kytketty kunnolla.

2) Trouble: toimii vain lyhyen ajan

analyysi:

- a) Jos asetettu lämpötila on lähellä huoneenlämpötilaa, voit laskea asetettua lämpötilaa.
- b) Ehkä este estää ilman poistoaukon. Ota este pois.

3) Vaikeudet: Toimii, mutta ei jäähty

analyysi:

- a) Ehkä ovi tai ikkuna ovat auki.
- b) Ehkä lähellä etäisyyttä on toinen lämpökäsittävä laite, kuten lämmitin tai lamppu jne.
- c) Ilmansuodatin on likainen, puhdista se.
- d) ilman poisto tai imu on tukossa.
- f) asetettu lämpötila on liian korkea.

4) Vika: Vesivuoto liikkumisen aikana.

analyysi:

- a) tyhjennä lauhde ennen siirtymistä.
- b) sijoita laite tasaiselle alustalle veden vuotamisen välttämiseksi.

5) Vika: Älä työskentele ja vesi täynnä merkkivalo "E4"

analyysi:

- a) vedä kumitulppa veden tyhjentämiseksi.
- b) Jos se on usein tässä tilassa, ota yhteyttä valtuutettuun huoltoliikkeeseen.

Ongelmien kartoittaminen

6) Vika: Laite ei käynnisty.

analyysi:

- a) ehkä ole kytketty. Joten kytke se.
- b) ehkä pistoke- tai pistorasiavaurioita. Korvaa palveluntarjoaja.
- c) ehkä sulake rikki. Vaihda palveluntarjoajan sulake (erittely: 3,15A / 250VAC).

7) Vika: Laite pysähtyy automaattisesti.

analyysi:

a) ajoitus sammutetaan tai asetettu lämpötila saavutetaan. Käynnistä se uudelleen tai odota automaattista kytkeäntä.

8) Vika: ei kylmää ilmaa COOL "K" -tilassa.

analyysi:

a) huoneenlämpötila on alhaisempi kuin asetettu lämpötila. Se on normaali ilmiö, kone kytkeytyy automaattisesti, kun huoneen lämpötila on korkeampi kuin asetettu lämpötila.

b) Laite suojaa jäätymiseltä. Laite kytkeytyy automaattisesti, kun jäätymissuojaus on ohi.

9) Vika: LED näyttää vikakoodin "E2"

analyysi:

a) huonelämpötila-anturi vioittuu tai vaurioituu. Vaihda palveluntarjoaja huonelämpötilan anturi.

10) Vika: LED näyttää virhekoodin "E3"

analyysi:

a) höyrystimen öljyputken anturi vioittuu tai on vaurioitunut. Vaihda palveluntarjoaja höyrystimen kelaputken anturi.

11) Vika: LED näyttää vikakoodin "E4"

analyysi:

a) veden täysi varoitus. Tyhjennä vesi.

## PUHDISTUS JA HUOLTO

Laitteen huolto

1. Sammuta laite ensin ennen kuin irrotat virtalähteestä.

2. Pyyhi pehmeällä ja kuivalla liinalla. Puhdista haalealla vedellä alle 40 ° C, jos laite on erittäin likainen.

3. Älä koskaan käytä laitteen puhdistamiseen haittuvia aineita, kuten bensiiniä tai kiillotusjauhetta.

Ilmansuodattimien huolto

Ilmansuodatin on puhdistettava joka toinen viikko, jos laite toimii erittäin pölyisessä ympäristössä. Puhdista seuraavasti:

1. Pysäytä laite ensin, työnnä ilmansuodatin ylös (kuva F).

2. Puhdista ja asenna ilmansuodatin uudelleen.

3. Jos lika on näkyvää, pese se pesuaineliuksella haaleassa vedessä. Kuivaa puhdistuksen jälkeen varjostettuun ja viileään paikkaan ja asenna se sitten uudelleen.

Huolto käytön jälkeen

1. Jos laitetta ei käytetä pidemmän aikaa, muista vetää tyhjennysportin ylemmän jäähdytysreiän kumitulppa (8) ja kumitulppa jäähdyttimen tyhjennysreiän (9) ulkopuolelle veden tyhjentämiseksi. .

2. Pidä laitetta käynnissä puhaltimella vain puoli päivää aurinkoisen päivän aikana, jotta laite kuivataan sisäpuolella ja estää hometuvan.

3. Pysäytä laite ja vedä virtajohdon pistoke, poista sitten kaukosäätimen paristot ja säilytä laitetta oikein.

4. Puhdista ilmansuodatin ja asenna se uudelleen.

5. Poista ilmaletkut ja säilytä niitä kunnolla, ja peitä reikä tiukasti.

## TEKNISET TIEDOT:

Jäähdytysteho nopeudella BTU: 9000 BTU / tunti

Jäähdytysteho watteina: 2600

Energiankulutus (jäähdytys) W: 950 W

Tilavuus: <= 65 dB

Ilmavirta: 380 m3 / h

Energialuokka: A

Ajastin: 24 tuntia

Jäähdytysnesteen R290 paino: maks. 200 grammaa



Varo, tulipalon vaara.

ÄLÄ lävistä tai polta.

Huomaa, että kylmäaine ei saa sisältää hajua.

Kylmäaineen enimmäismäärä: 200 g.



Suojellaksesi ympäristöäsi: hävitä pahvilaatikat ja muovipussit ja kierrätä ne niille tarkoitetuissa jäteastioissa. Käytetyt koneet tulee toimittaa niihin erioituneisiin keräyspisteisiin ympäristölle vaarallisten aineiden takia. Älä hävitä laitteita sekajätteessä.

## ОБЩИЕ УСЛОВИЯ БЕЗОПАСНОСТИ ВАЖНЫЕ ИНСТРУКЦИИ ПО БЕЗОПАСНОСТИ ВНИМАТЕЛЬНО ПРОЧТИТЕ И СОХРАНИТЕ НА БУДУЩЕЕ

1. Перед использованием устройства прочитайте инструкцию по эксплуатации и следуйте инструкциям, содержащимся в нем. Производитель не несет ответственности за ущерб, вызванный использованием устройства вопреки его назначению или неправильной эксплуатации.
2. Устройство предназначено только для домашнего использования. Не используйте для других целей, которые не по назначению.
3. Устройство должно быть подключено только к розетке переменного тока с заземлением 220 240 В ~ 50 Гц. Для повышения эксплуатационной безопасности, несколько электрических устройств не должны быть подключены к одной цепи тока одновременно.
4. Будьте предельно осторожны при использовании устройства, когда рядом находятся дети. Не позволяйте детям играть с устройством, не позволяйте детям или людям, незнакомым с устройством, использовать его.
5. ПРЕДУПРЕЖДЕНИЕ. Данное оборудование могут использовать дети старше 8 лет и люди с ограниченными физическими, сенсорными или умственными способностями или люди, которые не имеют опыта или знаний об оборудовании, если это делается под наблюдением ответственного лица. Для их безопасности или были предоставлены им информацию о безопасном использовании устройства и знают об опасностях его использования. Дети не должны играть с оборудованием. Чистка и техническое обслуживание устройства не должны выполняться детьми, за исключением случаев, когда им исполнилось 8 лет, и эти действия выполняются под наблюдением.
6. Всегда отсоединяйте штепсельную вилку, придерживая розетку рукой после использования. НЕ тяните за шнур питания.
7. Не погружайте кабель, вилку и все устройство в воду или любую другую жидкость. Не подвергайте устройство воздействию атмосферных условий (дождь, солнце и т. Д.) И не используйте его в условиях повышенной влажности (ванные комнаты, влажные дома на колесах).
8. Периодически проверяйте состояние шнура питания. Если шнур питания поврежден, его следует заменить в специализированной ремонтной мастерской, чтобы избежать опасности.
9. Не используйте прибор с поврежденным шнуром питания, если он упал или поврежден каким-либо иным образом или он не работает должным образом. Не ремонтируйте устройство самостоятельно, так как существует риск поражения электрическим током. Доставьте поврежденное устройство в соответствующий сервисный центр для проверки или ремонта. Все ремонтные работы могут выполняться только авторизованными сервисными центрами. Неправильно

выполненный ремонт может представлять серьезную опасность для пользователя.

10. Поместите устройство на прохладную, устойчивую поверхность, вдали от горячих кухонных приборов, таких как: электрическая плита, газовая горелка и т. Д.

11. Убедитесь, что ничто не блокирует вход и выход воздуха устройства

12. Используйте устройство только на ровной поверхности, чтобы предотвратить выпадение конденсата.

13. Для обеспечения дополнительной защиты рекомендуется установить устройство защитного отключения (УЗО) в электрической цепи с номинальным током не более 30 мА. Спросите электрика для этого.

14. Регулярно очищайте воздушный фильтр. Частота очистки зависит от чистоты воздуха.

15. После выключения машины подождите не менее 5 минут, прежде чем снова включить его.

16. Не используйте устройство в солнечных местах. Когда устройство перегревается, защита от перегрева включает устройство.

17. Чтобы обеспечить эффективное охлаждение, расстояние между боковыми стенками устройства и стеной, мебелью или шторами должно быть не менее 60 см.

18. Из-за ограниченной производительности устройства, если разница между целевой температурой и температурой окружающей среды слишком велика, заданная температура может быть не достигнута.

19. Чтобы снизить риск возгорания, поражения электрическим током или травмы при использовании кондиционера, соблюдайте следующие основные меры предосторожности:

а) Подключите к заземленной розетке с 3 контактами.

б) Не удаляйте заземляющий контакт.

в) Не используйте адаптер.

г) Не используйте удлинитель.

е) Отключите кондиционер перед обслуживанием.

ф) Для перемещения и установки кондиционера используйте двух или более человек.

20. Не используйте средства, ускоряющие процесс размораживания или очистки, кроме тех, которые рекомендованы производителем.

21. Устройство следует хранить в помещении без постоянно работающих источников возгорания, например: открытого огня, газовых приборов или электрических обогревателей.

ПЕРЕД ПЕРВЫМ ИСПОЛЬЗОВАНИЕМ (рисунок E)

Подсоедините разъемы к воздуховыпускному каналу следующим образом:

1. Вытяните воздуховод для выпуска воздуха (10), вытянув два конца воздуховода.

2. Вкрутите воздуховод (10) в разъем воздуховода (11).

3. Подсоедините разъем воздуховыпускного канала (11) к устройству.

ПРИМЕЧАНИЯ:

1. Держите устройство на расстоянии не менее 1 метра от телевизора или радиоприемника, чтобы избежать электромагнитных помех.

2. Не подвергайте устройство воздействию прямых солнечных лучей, чтобы избежать выцветания поверхности.

3. Не наклоняйте устройство более чем на 35 ° или вверх ногами во время транспортировки. Если устройство было перевернуто

во время транспортировки, положите его правильно и подождите 2-4 часа, прежде чем запустить его.

4. Поместите устройство на плоскую поверхность с углом наклона менее 5 °.

5. Устройство работает более эффективно в определенных помещениях, выберите лучшее место:

- Рядом с окном, дверью или французским окном.

- Сохраняйте необходимое расстояние от выхода возвратного воздуха до стены или других препятствий не менее 60 см.

- Выдвиньте воздушный шланг, чтобы на другом конце воздушного шланга был зазор между дверью окна, французским окном или отверстием в стене.

- Выход воздуха или воздухозаборник не могут быть заблокированы защитной решеткой или каким-либо препятствием.

Чтобы продлить срок службы устройства, слейте конденсированную воду из верхнего (8) и нижнего (9) отверстий для слива охладителя перед тем, как положить устройство на хранение в конце сезона.

#### ОПИСАНИЕ УСТРОЙСТВА (рисунки А и В)

1. Панель управления

3. Приемник сигнала

7. Транспортная ручка.

9. Сливное отверстие испарителя

11. Разъем вытяжного воздуховода

2. Выход холодного воздуха

4. Пульт дистанционного управления

6. Выхлопная труба.

8. Верхнее сливное отверстие охладителя

10. Воздуховыпускной канал

12. Окно выпускного адаптера

#### ПАНЕЛЬ УПРАВЛЕНИЯ (рисунок С)

A. Кнопка включения / выключения

C. Кнопка режима

E. Кнопка таймера / понижения температуры

G. Высокоскоростная кнопка

I. Кнопка сна и блокировка от детей

K. Режим охлаждения

M. Режим вентилятора

O. Кнопка колебаний

V. Кнопка скорости вентилятора

D. Кнопка таймера / повышения температуры

F. Кнопка низкой скорости

H. Индикатор питания

J. Автоматический режим

L. Режим осушения

N. Кнопка таймера

P. Блокировка от детей

#### ДИСТАНЦИОННЫЙ КОНТРОЛЛЕР - рисунок D

Пульт дистанционного управления передает сигналы в систему.

Кнопка «А» - прибор будет запущен, когда он находится под напряжением, или будет остановлен, когда он работает, если вы нажмете эту кнопку.

Кнопка «С» - нажмите ее, чтобы выбрать режим работы: «J», «K», «L» или «M..».

Кнопка «В» - нажмите ее для последовательного выбора скорости вращения вентилятора.

Кнопка «D» / «E» - нажмите для регулировки температуры в помещении и таймера.

Кнопка «I» - нажмите для установки или отмены спящего режима.

Кнопка «N» - нажмите, чтобы установить время автоматического выключения и автоматического включения.

Кнопка «O» - нажмите для установки или отмены режима качания жалюзи.

#### РАБОТА С ПАНЕЛЬЮ УПРАВЛЕНИЯ

##### АВТОМАТИЧЕСКИЙ / ОХЛАЖДЕНИЕ / СУХОЙ / ВЕНТИЛЯТОР

1. Включите устройство.

а) Подключите устройство, а затем устройство подаст один звуковой сигнал. Индикатор питания "Н" включен.

б) Нажмите кнопку «А», после чего устройство включится.

в) светодиодный диод отображает комнатную температуру и начинает работать в автоматическом режиме.

2. Выберите режим работы

Нажмите кнопку «С», чтобы выбрать нужный режим работы по порядку:

Автоматический режим «J» -> Режим охлаждения «K» -> Режим сушки «L» -> Режим вентилятора «M..»

3. Отрегулируйте температуру

Температура может быть установлена в диапазоне 15–31 ° C. Нажмите кнопку «D» или «E», чтобы увеличить или уменьшить температуру на 1 ° C, нажав один раз. На светодиодной панели устройства отображается заданная температура в течение 5 секунд, а затем отображается температура в помещении.

4. Отрегулируйте скорость вентилятора

Нажмите кнопку «В», чтобы выбрать желаемую скорость вращения вентилятора по порядку:

Низкая скорость "F" -> Высокая скорость G

5. Мощность

При повторном нажатии кнопки «А» на устройстве прозвучит «дип», индикатор питания «Н» погаснет и перестанет работать.

6. Нажмите эту кнопку «I», чтобы войти в спящий режим устройства.
7. Нажмите эту кнопку «N», чтобы установить отключение по времени.
8. Нажмите эту кнопку «O», чтобы установить колебание колебания воздуха вверх-вниз.

Принцип работы каждого режима:

Режим AUTO "J":

После выбора режима «J» датчик температуры в помещении срабатывает автоматически и выбирает один из следующих режимов работы:

- При комнатной температуре  $\geq 24$  устройство автоматически выберет режим охлаждения «K».
- или же
- Когда температура в помещении  $< 24$ , устройство автоматически выберет режим высокой скорости вентилятора «M».

Режим осушения "L":

1. Верхний центробежный вентилятор будет работать на низкой скорости, и скорость не может быть отрегулирована.
2. Компрессор остановится через 8 минут, затем снова запустится через 6 минут.
3. Устройство работает в режиме осушения при постоянной температуре, и регулировка температуры не эффективна.

**ПРЕДУПРЕЖДЕНИЕ:**

При работе устройства в условиях различной влажности, сливное отверстие охладителя (9) должно быть постоянно открыто и обеспечивать постоянный слив воды.

Холодный режим "K":

1. Когда температура в помещении превышает заданную температуру на панели управления, компрессор начинает работать.
2. Когда температура в помещении ниже заданной температуры на панели управления, останов компрессора и верхний вентилятор работают с исходной заданной скоростью.

Вентилятор "M" режим.

1. Верхний центробежный вентилятор работает на заданной скорости, а компрессор не работает.
2. Регулировка температуры не эффективна.

Таймер операции «N»:

1. Нажмите кнопку «N», чтобы установить время автоматического выключения во время работы устройства.
2. Нажмите кнопку «N», чтобы установить время автоматического включения, когда устройство готово.
3. Время можно отрегулировать в диапазоне от 1 часа до 24 часов, нажав кнопку «D» (+) или «E» (-).

Режим ожидания "I" и функция блокировки от детей:

1. Режим ожидания работает, когда устройство находится в режиме охлаждения "K".
2. Нажмите кнопку «I» в режиме охлаждения «K», тогда устройство будет работать в спящем режиме, а центробежный вентилятор с повышением частоты автоматически переключится на низкую скорость. Заданная температура увеличится на 1 через час и увеличится на 2 через два часа. Через шесть часов блок перестанет работать.
3. Нажмите и удерживайте кнопку блокировки от детей «I» в течение трех секунд, чтобы все остальные функции были недоступны. Нажмите и удерживайте в течение 3 секунд, чтобы разблокировать функцию блокировки от детей, а все остальные функции можно будет использовать снова.

Качели "O" в режиме работы:

Когда устройство включено, нажмите кнопку «O», вертикальная заслонка будет включена или выключена. Когда он включен, жалюзи могут качаться взад и вперед в пределах 60 градусов. Нажмите кнопку «O» еще раз, жалюзи перестанут качаться.

Обратите внимание:

Основная плата управления имеет функцию памяти, когда устройство готово к работе, но находится в состоянии остановки, главная плата управления может запоминать инициализацию рабочего режима. Когда вы включаете устройство, оно будет работать так же, как в прошлый раз, не нужно снова сбрасывать рабочий режим. (Это условие недоступно, когда устройство находится в режиме AUTO "J".)

**ПУЛЬТ ДИСТАНЦИОННОГО УПРАВЛЕНИЯ**

1. Сдвиньте заднюю крышку, чтобы открыть и снять изолирующую пленку на батарее.
2. Вставьте батарейки внутрь гнезда, должны соответствовать знакам «+» и «-» на пульте дистанционного управления.
3. В течение длительного времени не использовать, вынуть батареи.
4. Чтобы предотвратить загрязнение окружающей среды, выньте использованные батареи и утилизируйте их соответствующим



образом.

Для управления устройством наведите пульт дистанционного управления (...) на приемник сигнала. Пульт дистанционного управления будет управлять устройством на расстоянии 5 метров при наведении на приемник сигнала устройства.

## ЗАЩИТНЫЕ УСТРОЙСТВА

Защитное устройство может отключить и остановить устройство в следующих случаях:

1. в режиме охлаждения: температура воздуха в помещении превышает 43 ° C (109 ° F)
2. в режиме охлаждения: комнатная температура ниже 15 ° C (59 ° F)
3. в режиме осушения: комнатная температура ниже 15 ° C (59 ° F).

Если устройство работает в режиме охлаждения «K» или в режиме осушения «L» с открытой дверцей или окном в течение длительного времени, когда относительная влажность превышает 80%, из розетки может стечь капля росы.

Защитное устройство будет работать в следующих случаях:

1. Перезагрузите устройство сразу после остановки работы или изменения выбранного режима во время работы, необходимо подождать 3 минуты.
2. Если вилка была удалена, после перезапуска устройство вернется в исходный режим, ТАЙМЕР ВКЛ и ТАЙМЕР ВЫКЛ - необходимо снова установить.

**ЗАМЕЧАНИЕ:** в данном устройстве скрыта рециркуляция конденсированной воды. Конденсационная вода частично рециркулирует между конденсатором и пластиной для воды. Когда уровень воды поднимается до верхнего уровня, поплавковый выключатель и индикатор заполнения водой (E4) загораются, чтобы напомнить о сливе воды. Пожалуйста, отключите электропитание, переместите прибор в подходящее место, удалите сливную пробку, полностью слить воду. После слива установите на место пробку, иначе прибор может протечь и сделать вашу комнату мокрой.

Если прибор находится в положении, допускающем слив воды, вы также можете подключить сливное отверстие к сливному отверстию для слива воды. В комплект добавляется сливная труба, внутренний диаметр 9мм, внешний диаметр 12мм, материал: ПВХ.

Поиск неисправностей

1) Проблема: не работают.

Анализ:

- a) возможно, отключение защитного устройства или перегорание предохранителя, пожалуйста, подождите 3 минуты и запустите снова, защитное устройство может препятствовать работе устройства.
- b) возможно, батареи в пульте дистанционного управления разряжены.
- d) возможно, вилка подключена неправильно.

2) Проблема: работает только на короткое время  
Анализ:

- a) если заданная температура близка к комнатной, вы можете понизить заданную температуру.
- b) возможно, выход воздуха заблокирован препятствием. Убери препятствие.

3) Проблема: работает, но не охлаждает

Анализ:

- a) может быть, дверь или окно открыты.
- b) может быть, на близком расстоянии есть другой прибор, работающий на тепло, например, нагреватель или лампа и т. д.
- v) воздушный фильтр загрязнен, пожалуйста, очистите его.
- г) воздуховыпускное отверстие или воздухозаборник заблокированы.
- e) заданная температура слишком высокая.

4) Проблема: утечка воды во время движения.

Анализ:

- a) слить конденсат перед перемещением.
  - b) чтобы избежать утечки воды, расположите устройство на ровной поверхности.
- 5) Неисправность: не работает и индикатор заполнения водой "E4"

Анализ:

- a) вытащить резиновую пробку для слива воды.
- b) если он часто находится в этом состоянии, обратитесь в службу технической поддержки.

Поиск неисправностей

6) Проблема: устройство не запускается.

Анализ:

- a) возможно не подключен. Итак, подключите его.
  - b) возможно повреждение вилки или розетки. Заменить поставщиком услуг.
  - v) возможно, предохранитель сломан. Замените предохранитель у поставщика услуг (спецификация: 3,15A / 250VAC).
- 7) Проблема: устройство автоматически останавливается.

Анализ:

- a) время выключено или достигнута заданная температура. Перезапустите его или дождитесь автоматического переключения.

8) Неисправность: нет холодного воздуха в режиме ОХЛАЖДЕНИЯ «К».

Анализ:

а) комнатная температура ниже заданной температуры. Это нормальное явление, машина автоматически переключается, когда температура в помещении превышает заданную температуру.

б) Устройство входит в защиту от замерзания. Устройство автоматически переключится после завершения защиты от замерзания.

9) Неисправность: светодиод отображает код неисправности «E2»

Анализ:

а) Датчик комнатной температуры выходит из строя или поврежден. Замените датчик комнатной температуры поставщиком услуг.

10) Неисправность: светодиод отображает код неисправности «E3»

Анализ:

а) Датчик масляной трубы испарителя выходит из строя или поврежден. Замените датчик трубки змеевика испарителя у поставщика услуг.

11) Неисправность: светодиод отображает код неисправности «E4»

Анализ:

а) предупреждение о заполнении водой. Слейте воду.

## ЧИСТКА И ОБСЛУЖИВАНИЕ

Обслуживание устройства

1. Прежде чем отсоединять устройство от источника питания, сначала выключите устройство.

2. Протрите мягкой сухой тканью. Используйте чистую воду с температурой ниже 40 °С для очистки, если прибор очень грязный.

3. Никогда не используйте летучие вещества, такие как бензин или полировальный порошок, для очистки устройства.

Обслуживание воздушного фильтра

Необходимо чистить воздушный фильтр каждые 2 недели, если устройство работает в очень запыленной среде. Очистить следующим образом:

1. Сначала остановите устройство, поднимите воздушный фильтр (Рисунок F).

2. Очистите и установите на место воздушный фильтр.

3. Если грязь заметна, промойте ее раствором моющего средства в теплой воде. После очистки высушите его в затененном и прохладном месте, затем установите заново.

Обслуживание после использования

1. Если устройство не будет использоваться в течение более длительного времени, обязательно вытащите резиновую заглушку сливного отверстия верхнего охладителя (8) и резиновую заглушку сливного отверстия охладителя (9) сливного отверстия, чтобы слить воду ,

2. Держите прибор включенным с вентилятором только в течение полдня в течение солнечного дня, чтобы высушить прибор внутри и предотвратить появление плесени.

3. Остановите устройство и вытащите вилку шнура питания, затем выньте батарейки из пульта дистанционного управления и правильно храните устройство.

4. Очистите воздушный фильтр и установите его на место.

5. Снимите воздушные шланги, храните их надлежащим образом и плотно закройте отверстие.

## ТЕХНИЧЕСКИЕ ДАННЫЕ:

Холодопроизводительность в БТЕ: 9000 БТЕ / час

Холодопроизводительность в ваттах: 2600

Энергопотребление (охлаждение) Вт: 950 Вт

Объем: <= 65 дБ

Расход воздуха: 380 м<sup>3</sup> / час

Энергетический класс: A

Таймер: 24 часа

Масса охлаждающей жидкости R290: макс. 200 грамм



Осторожно, опасность пожара.

НЕ прокалывать и не сжигать.

Помните, что хладагент не может содержать запах.

Максимальное количество заправляемого

хладагента: 200 г.



Заботясь об окружающей среде.. Упаковку из картона передайте, пожалуйста, на макулатуру. Полиэтиленовые мешки (PE) выкидать в резервуар для пластмассы. Изношенное устройство надо передать в соответствующую точку хранения, так как находящиеся в устройстве опасные составляющие могут являться угрозой для окружающей среды. Электрическое устройство надо передать таким образом, чтобы ограничить его повторное употребление и использование. Если в устройстве находятся батареи, их надо вытянуть и передать в точку хранения отдельно. Устройство не выкидать в резервуар для коммунальных отходов!

## CONDIZIONI GENERALI DI SICUREZZA

## IMPORTANTI ISTRUZIONI DI SICUREZZA LEGGERE ATTENTAMENTE E SALVARE PER IL FUTURO

1. Prima di utilizzare il dispositivo, leggere il manuale operativo e seguire le istruzioni in esso contenute. Il produttore non è responsabile per danni causati dall'uso del dispositivo contrario allo scopo previsto o al funzionamento improprio.
2. Il dispositivo è solo per uso domestico. Non utilizzare per altri scopi diversi da quelli previsti.
3. Il dispositivo deve essere collegato solo a una presa CA con una messa a terra da 220-240 V ~ 50 Hz. Per aumentare la sicurezza operativa, più dispositivi elettrici non devono essere collegati contemporaneamente a un circuito di corrente.
4. Usare estrema cautela quando si usa il dispositivo quando i bambini sono nelle vicinanze. Non consentire ai bambini di giocare con il dispositivo, non consentire ai bambini o alle persone che non hanno familiarità con il dispositivo di usarlo.
5. **AVVERTENZA:** questa apparecchiatura può essere utilizzata da bambini di età superiore a 8 anni e persone con capacità fisiche, sensoriali o mentali limitate o persone che non hanno esperienza o conoscenza dell'attrezzatura, se ciò viene fatto sotto la supervisione di una persona responsabile per la loro sicurezza o hanno ricevuto loro informazioni sull'uso sicuro del dispositivo e sono consapevoli dei pericoli connessi all'uso. I bambini non devono giocare con l'attrezzatura. La pulizia e la manutenzione del dispositivo non devono essere eseguite da bambini, a meno che non abbiano più di 8 anni e queste attività siano svolte sotto controllo.
6. Scollegare sempre la spina di alimentazione tenendo la presa con la mano dopo l'uso. **NON** tirare il cavo di alimentazione.
7. Non immergere il cavo, la spina e l'intero dispositivo in acqua o altri liquidi. Non esporre il dispositivo a condizioni atmosferiche (pioggia, sole, ecc.) O utilizzare in condizioni di elevata umidità (bagni, case mobili umide).
8. Controllare periodicamente le condizioni del cavo di alimentazione. Se il cavo di alimentazione è danneggiato, deve essere sostituito da un'officina specializzata per evitare pericoli.
9. Non utilizzare l'apparecchio con un cavo di alimentazione danneggiato o se è stato fatto cadere o danneggiato in altro modo o se non funziona correttamente. Non riparare il dispositivo da soli, poiché esiste il rischio di scosse elettriche. Portare il dispositivo danneggiato in un centro di assistenza adeguato per il controllo o la riparazione. Tutte le riparazioni possono essere eseguite solo da punti di assistenza autorizzati. Le riparazioni eseguite in modo errato possono causare gravi pericoli per l'utente.
10. Collocare il dispositivo su una superficie fresca e stabile, lontano da elettrodomestici da cucina caldi come: fornelli elettrici, bruciatori a gas, ecc.
11. Assicurarsi che nulla blocchi l'entrata e l'uscita dell'aria del dispositivo
12. Utilizzare il dispositivo solo su una superficie piana per evitare la fuoriuscita della condensa

13. Per fornire una protezione aggiuntiva, si consiglia di installare un dispositivo a corrente residua (RCD) nel circuito elettrico con una corrente residua nominale non superiore a 30 mA. Chiedi a un elettricista per questo.
14. Pulire regolarmente il filtro dell'aria. La frequenza della pulizia dipende dalla pulizia dell'aria.
15. Dopo aver spento la macchina, attendere almeno 5 minuti prima di riaccenderla.
16. Non utilizzare il dispositivo in luoghi soleggiati. Quando il dispositivo si surriscalda, la protezione da surriscaldamento attiva il dispositivo.
17. Per garantire un raffreddamento efficace, è necessario mantenere una distanza di almeno 60 cm tra le pareti laterali del dispositivo e la parete, i mobili o le tende.
18. A causa delle prestazioni limitate del dispositivo, se la differenza tra la temperatura target e la temperatura ambiente è troppo elevata, la temperatura target potrebbe non essere raggiunta.
19. Per ridurre il rischio di incendi, scosse elettriche o lesioni durante l'uso del condizionatore d'aria, osservare le seguenti precauzioni di base:
  - a) Collegare a una presa con messa a terra con 3 pin.
  - b) Non rimuovere il polo di messa a terra.
  - c) Non utilizzare l'adattatore.
  - d) Non utilizzare una prolunga.
  - e) Scollegare il condizionatore d'aria prima della manutenzione.
  - f) Utilizzare due o più persone per spostare e installare il condizionatore d'aria.
20. Non utilizzare agenti che accelerano il processo di scongelamento o pulizia diversi da quelli raccomandati dal produttore.
21. Il dispositivo deve essere conservato in una stanza senza fonti di accensione costantemente funzionanti, ad esempio fuoco aperto, apparecchi a gas o stufe elettriche.

#### PRIMA DEL PRIMO UTILIZZO - (figura E)

Collegare i connettori al condotto di scarico dell'aria come segue:

1. Estendere il condotto di scarico dell'aria (10) estraendo le due estremità del condotto.
2. Avvitare il condotto di scarico dell'aria (10) nel connettore del condotto di scarico dell'aria (11).
3. Collegare il connettore del condotto di scarico dell'aria (11) al dispositivo.

#### NOTE:

1. Tenere l'unità ad almeno 1 metro di distanza dalla TV o dalle radio per evitare interferenze elettromagnetiche.
  2. Non esporre l'unità alla luce diretta del sole per evitare lo sbiadimento del colore della superficie.
  3. Non inclinare l'unità per più di 35 ° o capovolta durante il trasporto. Se il dispositivo è stato capovolto durante il trasporto, posizionarlo correttamente e attendere 2-4 ore prima di avviarlo.
  4. Collocare l'unità su una superficie piana con un'inclinazione inferiore a 5 °.
  5. L'unità funziona in modo più efficiente in determinate posizioni della stanza, selezionare la posizione migliore:
    - Accanto a una finestra, una porta o una porta finestra.
    - Mantenere la distanza richiesta dall'uscita dell'aria di ritorno alla parete o altri ostacoli di almeno 60 cm.
    - Estendere il tubo dell'aria per assicurarsi che l'altra estremità del tubo dell'aria abbia spazio tra la porta della finestra, o la portafinestra o il foro a parete.
    - L'uscita o l'ingresso dell'aria non può essere bloccato da una griglia di protezione o da ostacoli.
- Per prolungare la durata dell'unità, scaricare l'acqua di condensa dai fori di drenaggio del dispositivo di raffreddamento superiore (8) e inferiore (9) prima di riporre l'unità alla fine della stagione.

#### DESCRIZIONE DEL DISPOSITIVO (figure A e B)

1. Pannello di controllo
2. Uscita aria fredda
3. Ricevitore del segnale
4. Telecomando

5. Maniglia di trasporto
7. Ingresso evaporatore
9. Foro di drenaggio del radiatore verso il basso
11. Connettore del condotto di scarico dell'aria

6. Condotto di scarico
8. Foro di scarico superiore del radiatore
10. Condotto di scarico dell'aria
12. Adattatore di scarico del finestrino

#### PANNELLO DI CONTROLLO (figura C)

- |  |   |
|--|---|
| A. Pulsante di accensione ON / OFF           | B. Pulsante di velocità della ventola   |
| C. Pulsante modalità                         | D. Pulsante timer / aumento temperatura |
| E. Pulsante di riduzione timer / temperatura | F. Pulsante di bassa velocità           |
| G. Pulsante ad alta velocità                 | H. Indicatore di alimentazione          |
| I. Pulsante di sospensione e blocco bambini  | J. Modalità automatica                  |
| K. Modalità di raffreddamento                | L. Modalità di deumidificazione         |
| M. Modalità ventilatore                      | N. Pulsante timer                       |
| O. Pulsante di oscillazione                  | P. Blocco bambini                       |

#### TELECOMANDO - immagine D

Il telecomando trasmette segnali al sistema.

Pulsante "A" - l'apparecchio verrà avviato quando è sotto tensione o verrà arrestato quando è in funzione, se si preme questo pulsante.

Pulsante "C" - premerlo per selezionare la modalità operativa: "J", "K", "L" o "M".

Pulsante "B" - premerlo per selezionare la velocità della ventola in sequenza.

Pulsante "D" / "E" - premere per regolare la temperatura ambiente e il timer.

Pulsante "I": premere per impostare o annullare la modalità di sospensione.

Pulsante "N" - premere per impostare l'ora di spegnimento automatico e accensione automatica.

Pulsante "O" - premere per impostare o annullare la modalità di oscillazione delle feritoie.

#### FUNZIONAMENTO DEL PANNELLO DI CONTROLLO

##### AUTOMATICO / RAFFREDDAMENTO / DEUMIDIFICAZIONE / VENTOLA

1. Accendi il dispositivo.

a) Collegare il dispositivo e quindi il dispositivo emette un segnale acustico. La spia di alimentazione "H" è accesa.

b) Premere il tasto "A", quindi il dispositivo si accenderà.

c) Il diodo LED visualizza la temperatura ambiente e inizia a funzionare in modalità automatica.

2. Scegliere la modalità operativa

Premere il tasto "C" per selezionare la modalità di funzionamento desiderata in sequenza:

Modalità automatica "J" -> Modalità di raffreddamento "K" -> Modalità di asciugatura "L" -> Modalità di ventilazione "M."

3. Regola la temperatura

La temperatura può essere impostata tra 15 ° -31 ° C. Premere il tasto "D" o "E" per aumentare o diminuire la temperatura di 1 ° C premendo una volta. Il pannello LED del dispositivo mostra la temperatura target per 5 secondi, quindi visualizza la temperatura ambiente.

4. Regola la velocità della ventola

Premere il pulsante "B" per selezionare gli spettacoli di velocità della ventola desiderati in sequenza:

Bassa velocità "F" -> Alta velocità "G"

5. Potenza

Quando si preme nuovamente il pulsante "A", il dispositivo emette un suono "di", l'indicatore di alimentazione "H" si spegne e smette di funzionare.

6. Premere questo pulsante "I" per accedere alla modalità di sospensione del dispositivo.

7. Premere questo pulsante "N" per impostare uno spegnimento temporizzato.

8. Premere questo pulsante "O" per impostare l'oscillazione dell'aria verso l'alto.

Ogni modalità di funzionamento funziona:

Modalità AUTO "J":

Una volta selezionato "J", il sensore di temperatura interna si attiva automaticamente e seleziona una delle seguenti modalità di funzionamento:

- Quando la temperatura ambiente è  $\geq 24$  °C, l'unità seleziona automaticamente la modalità "K" in modalità fredda.

o

- Quando la temperatura ambiente < 24 °C, l'unità selezionerà automaticamente la modalità di alta velocità della

ventola "M".

Deumidifica modalità "L":

1. Il ventilatore centrifugo in alto funziona a bassa velocità e la velocità non può essere regolata.
2. Il compressore si arresterà dopo 8 minuti di funzionamento, quindi tornerà a funzionare dopo 6 minuti.
3. Il dispositivo adotta la modalità di deumidificazione a temperatura costante e la regolazione della temperatura non è efficace.

**AVVERTIMENTO:**

Quando si utilizza il dispositivo in condizioni di umidità variabile, il foro di drenaggio dello scambiatore di calore verso il basso (9) deve essere costantemente aperto e garantire un drenaggio costante dell'acqua.

Modalità "K" RAFFREDDAMENTO:

1. Quando la temperatura ambiente è superiore alla temperatura impostata sul pannello di controllo, il compressore inizia a funzionare.
2. Quando la temperatura ambiente è inferiore alla temperatura impostata sul pannello di controllo, l'arresto del compressore e la ventola superiore funzionano alla velocità impostata originale.

Modalità ventilatore "M..":

1. Il ventilatore centrifugo in alto funziona alla velocità impostata e il compressore non funziona.
2. La regolazione della temperatura non è efficace.

Funzionamento timer "N":

1. Premere il pulsante "N" per impostare il tempo di spegnimento automatico mentre l'unità è in funzione.
2. Premere il pulsante "N" per impostare il tempo di accensione automatica mentre l'unità è pronta.
3. Il tempo può essere regolato in un intervallo da 1 ora a 24 ore premendo il pulsante "D" ( + ) o "E" ( - ) .

Modalità sospensione "I" funzionamento e funzione blocco bambini:

1. La modalità di sospensione funziona quando l'unità è in modalità di raffreddamento "K".
2. Premere il pulsante "I" in modalità fredda "K", quindi l'unità funzionerà in modalità di sospensione e la ventola centrifuga su passerà automaticamente alla bassa velocità. La temperatura impostata aumenterà di 1 °C dopo un'ora e aumenterà di 2 °C dopo due ore. Dopo sei ore l'unità smetterà di funzionare.
3. Premere il pulsante di blocco per bambini "I" per tre secondi per impedire a tutte le altre funzioni di essere utilizzate. Premere di nuovo per 3 secondi per sbloccare la funzione di blocco per bambini, mentre tutte le altre funzioni potranno essere riutilizzate.

Funzionamento in modalità "O" dell'oscillazione:

Quando il dispositivo è acceso, premere il pulsante "O", la griglia verticale si accenderà o si spegnerà. Quando è acceso, la feritoia può oscillare avanti e indietro entro 60 gradi. Premere di nuovo il pulsante "O", la feritoia smetterà di oscillare.

**Avviso:**

La scheda di controllo principale ha la funzione di memoria, quando il dispositivo è pronto per funzionare ma in stato di arresto, la scheda di controllo principale può memorizzare l'inizializzazione della modalità di lavoro. Quando si accende l'unità, funzionerà come la stessa modalità di funzionamento della volta precedente, non è necessario ripristinare nuovamente la modalità di lavoro. (Questa condizione non è disponibile quando l'unità è in modalità AUTO "J".)

**TELECOMANDO**

1. Far scorrere il coperchio posteriore per aprire e rimuovere la pellicola isolante sulle batterie.
2. Inserire le batterie nello slot, devono corrispondere ai segni "+" e "-" sul telecomando.
3. Per lungo tempo inutile, estrarre le batterie.
4. Per prevenire l'inquinamento ambientale, estrarre le batterie usate e smaltire la sicurezza e in modo appropriato.

Per utilizzare il dispositivo, puntare il telecomando (..) verso il ricevitore del segnale. Il telecomando farà funzionare il dispositivo a una distanza di 5 metri quando punta verso il ricevitore del segnale del dispositivo.

## DISPOSITIVI DI PROTEZIONE

Il dispositivo di protezione potrebbe inciampare e arrestare l'apparecchio nei casi elencati di seguito:

1. in modalità raffreddamento: la temperatura dell'aria interna è superiore a 43 ° C (109 ° F)
2. in modalità raffreddamento: la temperatura ambiente è inferiore a 15 ° C (59 ° F)
3. in modalità deumidificazione: la temperatura ambiente è inferiore a 15 ° C (59 ° F).

Se il dispositivo funziona in raffreddamento "K" o deumidifica la modalità "L" con la porta o la finestra aperta a lungo quando l'umidità relativa è superiore all'80%, la rugiada potrebbe gocciolare giù dall'uscita.

Il dispositivo di protezione funzionerà nei seguenti casi:

1. Riavviare il dispositivo immediatamente dopo l'interruzione del lavoro o la modifica della modalità selezionata durante il lavoro, è necessario attendere 3 minuti.
2. Se la spina è stata rimossa, dopo aver riavviato il dispositivo tornerà alla modalità originale, TIMER ON e TIMER OFF - devono essere impostati nuovamente.

NOTA: all'interno dell'unità è presente un riciclaggio dell'acqua di condensa. L'acqua di condensa viene in parte mantenuta riciclando tra il condensatore e la piastra dell'acqua. Quando il livello dell'acqua sale al livello superiore, l'interruttore a galleggiante e l'indicatore di riempimento dell'acqua (E4) si accendono per ricordare lo scarico dell'acqua. Togliere l'alimentazione, spostare l'apparecchio in un luogo adatto, rimuovere il tappo di scarico, scaricare completamente l'acqua. Dopo lo scarico, reinstallare la spina, altrimenti l'apparecchio potrebbe fuoriuscire e bagnare la stanza.

Se l'apparecchio è in una posizione che ammette l'acqua di scarico, è anche possibile collegare il foro di scarico alla porta di scarico per scaricare l'acqua. Il tubo di scarico viene aggiunto al kit, con diametro interno 9mm, diametro esterno 12mm, materiale: PVC.

## Risoluzione dei problemi

1) Problema: non funziona.

Analisi:

a) forse il dispositivo di protezione o il fusibile sono bruciati, attendere 3 minuti e ricominciare, il dispositivo di protezione potrebbe impedire al dispositivo di funzionare.

c) forse le batterie del telecomando sono scariche.

d) forse la spina non è inserita correttamente.

2) Problemi: funziona solo per un breve periodo

Analisi:

a) se la temperatura impostata è vicina alla temperatura ambiente, è possibile ridurre la temperatura impostata.

b) forse l'uscita dell'aria è bloccata da un ostacolo. Porta via l'ostacolo.

3) Problemi: funziona ma non si raffredda

Analisi:

a) forse la porta o la finestra sono aperte.

b) forse a distanza ravvicinata c'è un altro apparecchio che funziona a caldo come il riscaldamento o la lampada, ecc.

c) il filtro dell'aria è sporco, si prega di pulirlo.

d) l'uscita dell'aria o l'aspirazione sono bloccate.

f) la temperatura impostata è troppo alta.

4) Problema: perdita d'acqua durante lo spostamento.

Analisi:

a) scaricare la condensa prima di spostarla.

b) per evitare perdite d'acqua, posizionare il dispositivo su una superficie piana.

5) Problema: non funziona e l'indicatore di acqua piena "E4"

Analisi:

- a) estrarre il tappo di gomma per scaricare l'acqua.
- b) se si trova spesso in questo stato, contattare l'assistenza tecnica qualificata.

#### Risoluzione dei problemi

6) Problema: il dispositivo non si avvia.

Analisi:

- a) forse non collegato. Quindi, collegalo.
- b) forse danni alla spina o alla presa. Sostituisci con il fornitore di servizi.
- c) forse il fusibile è rotto. Sostituire il fusibile dal fornitore di servizi (specifico: 3,15 A / 250 V CA).

7) Problema: il dispositivo si arresta automaticamente.

Analisi:

- a) temporizzazione arrestata o temperatura impostata raggiunta. Riavviarlo o attendere il passaggio automatico.
- 8) Problema: assenza di aria fredda in modalità RAFFREDDAMENTO "K".

Analisi:

a) la temperatura ambiente è inferiore alla temperatura impostata. È un fenomeno normale, la macchina si commuta automaticamente mentre la temperatura ambiente è superiore alla temperatura impostata.

b) Il dispositivo entra nella protezione antigelo. Il dispositivo si commuterà automaticamente al termine della protezione antigelo.

9) Problema: il LED visualizza il codice di errore "E2"

Analisi:

a) sensore di temperatura ambiente guasto o danneggiato. Sostituire il sensore della temperatura ambiente dal fornitore di servizi.

10) Problema: il LED visualizza il codice di errore "E3"

Analisi:

a) il sensore del tubo dell'olio dell'evaporatore si guasta o è danneggiato. Sostituire il sensore del tubo della serpentina dell'evaporatore dal fornitore di servizi.

11) Problema: il LED visualizza il codice di errore "E4"

Analisi:

a) avvertimento pieno d'acqua. Drenare l'acqua.

## PULIZIA E MANUTENZIONE

### Manutenzione del dispositivo

1. Spegnerlo prima di scollegarlo dall'alimentazione.
2. Pulire con un panno morbido e asciutto. Utilizzare acqua tiepida al di sotto di 40 ° C per pulire se l'impianto è molto sporco.
3. Non usare mai sostanze volatili come benzina o polvere per lucidare per pulire il dispositivo.

### Manutenzione del filtro dell'aria

È necessario pulire il filtro dell'aria ogni 2 settimane se il dispositivo funziona in un ambiente estremamente polveroso. Pulisci come segue:

1. Arrestare prima il dispositivo, spingere verso l'alto il filtro dell'aria (Figura F).
2. Pulire e reinstallare il filtro dell'aria.
3. Se lo sporco è evidente, lavarlo con una soluzione di detergente in acqua tiepida. Dopo la pulizia, asciugalo in un luogo ombreggiato e fresco, quindi reinstallalo.

### Manutenzione dopo l'uso

1. Se il dispositivo non verrà utilizzato per un periodo di tempo più lungo, assicurarsi di estrarre il tappo di gomma del foro di drenaggio del radiatore superiore (8) e il tappo di gomma verso il basso del foro di drenaggio del refrigeratore (9) della porta di drenaggio, al fine di drenare l'acqua .
2. Mantenere l'apparecchio in funzione con la ventola solo per mezza giornata durante una giornata di sole per asciugare l'apparecchio all'interno e impedire che diventi ammuffito.
3. Arrestare il dispositivo ed estrarre la spina del cavo di alimentazione, quindi estrarre le batterie del telecomando e conservare il dispositivo correttamente.
4. Pulire il filtro dell'aria e reinstallarlo.
5. Rimuovere i tubi dell'aria, conservarli correttamente e coprire bene il foro.



## DATI TECNICI:

Capacità di raffreddamento a BTU: 9000 BTU / ora

Capacità di raffreddamento in watt: 2600

Consumo di energia (raffreddamento) W: 950 W

Volume: <= 65 dB

Flusso d'aria: 380 m<sup>3</sup> / h

Classe energetica: A

Timer: 24 ore

Peso refrigerante R290: max. 200 grammi



Attenzione, rischio di incendio.

NON perforare o bruciare.

Tenere presente che il refrigerante potrebbe non contenere odori.

La quantità massima di carica di refrigerante: 200 g.



Prendiamoci cura dell'ambiente naturale. I contenitori in cartone dovrebbero essere portati all'apposito punto di raccolta. I sacchi in polietilene (PE) vanno buttati nel contenitore per la plastica. L'apparecchio fuori uso deve essere rottamato presso un centro di raccolta autorizzato, poiché contiene elementi pericolosi che potrebbero costituire una minaccia per l'ambiente. Il dispositivo elettrico deve essere consegnato in modo da limitare il suo riutilizzo. Se l'apparecchio contiene batterie, è necessario rimuoverle e smaltirle separatamente.

## HRVATSKI

### OPĆI UVJETI SIGURNOSTI

### VAŽNE SIGURNOSNE UPUTE PROČITAJTE UPOZORENJE I SPREMITE SE ZA BUDUĆNOST

1. Prije upotrebe uređaja, pročitajte korisnički priručnik i slijedite upute sadržane u njemu. Proizvođač ne odgovara za štetu nastalu upotrebom uređaja suprotno njegovoj predviđenoj namjeni ili nepravilnom radu.
2. Uređaj je namijenjen samo kućnoj uporabi. Ne koristite za druge svrhe koje nisu prema njegovoj predviđenoj namjeni.
3. Uređaj treba spojiti samo na izmjeničnu utičnicu s uzemljenim 220 240V ~ 50Hz. Da bi se povećala operativna sigurnost, više električnih uređaja ne smije istovremeno biti povezano na jedan strujni krug.
4. Budite izuzetno oprezni kada koristite uređaj kada su djeca u blizini. Ne dopustite djeci da se igraju s uređajem, ne dopustite djeci ili osobama koje nisu upoznate s uređajem.
5. **UPOZORENJE:** Ovu opremu mogu koristiti djeca starija od 8 godina i osobe ograničene tjelesne, senzorne ili mentalne sposobnosti, ili ljudi koji nemaju iskustva ili znanje o uređaju, ako se to radi pod nadzorom odgovorne osobe radi njihove sigurnosti ili su im odobreni podaci o sigurnoj upotrebi uređaja i svjesni su opasnosti upotrebe uređaja. Djeca se ne bi trebala igrati s opremom. Čišćenje i održavanje uređaja ne smiju obavljati djeca, osim ako imaju više od 8 godina i ove aktivnosti se izvode pod nadzorom.
6. Uvijek isključite utikač držeći utičnicu rukom nakon uporabe. **NE** povlačite kabel za napajanje.
7. Ne uranjajte kabel, utikač i cijeli uređaj u vodu ili bilo koju drugu tekućinu. Ne izlažite uređaj atmosferskim uvjetima (kiša, sunce itd...) I ne koristite u uvjetima visoke vlage (kupaonice, vlažne mobilne kućice).
8. Povremeno provjeravajte stanje kabela za napajanje. Ako je mrežni kabel oštećen, zamijenite ga specijaliziranoj servisnoj službi kako biste izbjegli opasnost.
9. Ne koristite uređaj s oštećenim kablom za napajanje ili ako je ispao ili oštećen na bilo koji drugi način ili ako ne radi ispravno. Ne popravljajte uređaj sami jer postoji opasnost od

električnog udara. Oštećeni uređaj odnesite u odgovarajući servisni centar radi provjere ili popravka. Sve popravke smiju obavljati samo ovlašteni servisi. Nepravilno izvedeni popravci mogu ozbiljno opasiti za korisnika.

10. Uređaj postavite na hladnu i stabilnu površinu, daleko od vrućih kuhinjskih uređaja kao što su: električni štednjak, plinski plamenik itd...

11. Pazite da ništa ne blokira dovod i izlaz zraka u uređaju

12. Koristite uređaj samo na ravnoj površini kako ne bi došlo do prolijevanja kondenzata

13. Da biste osigurali dodatnu zaštitu, preporučljivo je u električni krug instalirati zaostalu struju (RCD), nazivna zaostala struja koja ne prelazi 30mA. Pitajte za to električara.

14. Redovito čistite filter za zrak. Učestalost čišćenja ovisi o čistoći zraka.

15. Nakon isključivanja stroja pričekajte najmanje 5 minuta prije nego što ga ponovno uključite.

16. Ne koristite uređaj na sunčanim mjestima. Kad se uređaj pregrijava, uključit će se zaštita od pregrijavanja.

17. Da bi se osiguralo učinkovito hlađenje, treba se držati razmak od najmanje 60 cm između bočnih zidova uređaja i zida, namještaja ili zavjesa.

18. Zbog ograničenih performansi uređaja, ako je razlika između ciljne temperature i temperature okoline prevelika, ciljna temperatura možda neće biti dosegnuta.

19. Da biste smanjili rizik od požara, strujnog udara ili ozljeda kad koristite klima uređaj, pridržavajte se sljedećih osnovnih mjera opreza:

a) Spojite na uzemljenu utičnicu s 3 pina.

b) Ne uklanjajte uzemljenje.

c) Nemojte koristiti adapter.

d) Ne koristite produžni kabel.

e) Prije servisiranja isključite klima uređaj.

f) Koristite dvije ili više osoba za pomicanje i instaliranje klima uređaja.

20. Ne koristite sredstva koja ubrzavaju postupak odmrzavanja ili čišćenja, osim onih koja je preporučio proizvođač.

21. Uređaj treba skladištiti u prostoriji bez stalno aktivnih izvora paljenja, na primjer: otvorene vatre, plinskih uređaja ili električnih grijača.

#### PRIJE PRVE UPOTREBE - (slika E)

Prikjučke spojite na kanal za odvod zraka kako slijedi:

1. Izvucite kanal za odvod zraka (10) izvlačenjem dva kraja kanala.

2. Pričvrstite odvod zraka (10) u priključak izduvnog zraka (11).

3. Priključite priključak cijevi za odvod zraka (11) na uređaj.

#### OPASKE:

1. Držite uređaj najmanje 1 metar od TV-a ili radija kako biste izbjegli elektromagnetske smetnje.

2. Ne izlažite jedinicu izravnom suncu kako biste izbjegli izbljedjivanje boje na površini.

3. Tijekom prijevoza uređaj ne naginjte za više od 35 ° ili naglavačke. Ako se uređaj prevrnuo tijekom prijevoza, odložite ga ispravno i pričekajte 2-4 sata prije pokretanja.

4. Postavite jedinicu na ravnu površinu sa nagibom manjim od 5 °.

5. Uređaj djeluje učinkovitije na određenim mjestima u sobi, odaberite najbolje mjesto:

- Pored prozora, vrata ili francuskog prozora.

- Držite potrebnu udaljenost od izlaza povratnog zraka do zida ili drugih prepreka najmanje 60 cm.

- Izvucite crijevo za zrak da biste osigurali da drugi kraj crijeva ima prostor između vrata prozora, francuskog prozora ili zidnog otvora.

- Izlaz ili usis zraka ne mogu se blokirati zaštitnom mrežom ili bilo kojim preprekom.

Da biste produžili vijek trajanja uređaja, izvucite kondenziranu vodu iz gornjih (8) i donjih (9) otvora za odvod hladnjaka prije stavljanja jedinice na skladište na kraju sezone.

#### OPIS UREĐAJA (slike A i B)

- |   |                                     |
|---|-------------------------------------|
| 1. Upravljačka ploča                    | 2. Odvod hladnog zraka              |
| 3. Signalni receptor                    | 4. Daljinski upravljač              |
| 5. Transportna ručka                    | 6. Ispušni kanal                    |
| 7. Ulaz isparivača                      | 8. Otvor za odvod gornjeg hladnjaka |
| 9. Otvor za odvod hladnjaka dolje       | 10. Otvor za odvod zraka            |
| 11. Priključak ispušnog sustava za zrak | 12. Priključak za prozračni ispuh   |

#### KONTROLA PANEL (slika C)

- |   |   |
|---|---|
| A. Gumb za uključivanje / isključivanje         | B. Gumb za brzinu ventilatora                 |
| C. Gumb za način rada                           | D. Gumb za odbrojavanje vremena / temperature |
| E. Tipka za isključivanje vremena / temperature | F. Gumb za malu brzinu                        |
| G. Gumb velike brzine                           | H. Indikator napajanja                        |
| I. Tipka mirovanja i zaključavanje djeteta      | J. Automatski način rada                      |
| K. Cool način rada                              | L. Ispuštanje vlage                           |
| M. Način rada ventilatora                       | N. Tipka vremena                              |
| O. Tipka za oscilaciju                          | P. Blokada djeteta                            |

#### DALJINSKI UPRAVLJAČ - slika D

Daljinski upravljač odašilje signale sustavu.

Gumb "A" - aparat će se pokrenuti kada je pod naponom ili će biti zaustavljen kad radi, ako pritisnete ovu tipku.

Gumb "C" - pritisnite da biste odabrali način rada: "J", "K", "L" ili "M".

Gumb "B" - pritisnite ga da biste odabrali brzinu ventilatora u nizu.

Gumb "D" / "E" - pritisnite da biste podesili temperaturu u sobi i sat.

Gumb "I" - pritisnite za postavljanje ili otkazivanje načina mirovanja.

Gumb "N" - pritisnite da biste postavili vrijeme automatskog isključivanja i automatskog uključivanja.

Gumb "O" - pritisnite da biste postavili ili otkazali način ljuljanja žaluzija.

#### UPRAVLJANJE PANELOM ZA UPRAVU AUTOMATSKI / HLAĐENI / SUHI / VENTILATORI

1. Uključite uređaj.

a) Spojite uređaj, a zatim uređaj jednom piska. Lampica napajanja "H" svijetli.

b) Pritisnite tipku "A" i uređaj će se uključiti.

c) LED dioda prikazuje sobnu temperaturu i počinje raditi u automatskom načinu rada.

2. Odaberite način rada

Pritisnite tipku "C" za odabir željenog načina rada prema redoslijedu:

Automatski način rada "J" -> način hlađenja "K" -> način sušenja "L" -> način rada ventilatora "M."

3. Podesite temperaturu

Temperatura se može podesiti u rasponu od 15 ° -31 ° C. Pritisnite tipku "D" ili "E" da biste povećali ili smanjili temperaturu za 1 ° C jednim pritiskom. LED ploča uređaja prikazuje cijanu temperaturu tijekom 5 sekundi, a zatim prikazuje sobnu temperaturu.

4. Podesite brzinu ventilatora

Pritisnite gumb "B" za odabir željene brzine ventilatora po redoslijedu:

Mala brzina "F" -> Velika brzina "G"

5. Snaga

Kad ponovo pritisnete gumb "A", uređaj će se oglasiti "di", indikator napajanja "H" ugasit će se i prestati raditi.

6. Pritisnite ovaj gumb "I" za ulaz u način mirovanja uređaja.

7. Pritisnite ovu tipku "N" za podešavanje vremenskog isključivanja.

8. Pritisnite ovu tipku "O" za podešavanje oscilacija oscilacije zraka.

Svaki princip rada:

AUTO "J" način rada:

Jednom kada je odabran "J", osjetnik temperature u zatvorenom prostoru automatski radi i odabire jedan od sljedećih načina rada:

- Kad je sobna temperatura  $\geq 24$  unit, uređaj će automatski odabrati kul način rada „K“.

ili

- Kad je sobna temperatura  $< 24$  °C, uređaj će automatski odabrati način rada velike brzine ventilatora „M“.

Odvlažite način rada "L":

1. Gornji centrifugalni ventilator pokrenut će malom brzinom, a brzina se ne može prilagoditi.
2. Kompresor će se zaustaviti nakon rada 8 minuta, a zatim ponovno pokrenuti nakon 6 minuta.
3. Uređaj prihvaća način konstantne odvlaživanja temperature, a podešavanje temperature nije učinkovito.

UPOZORENJE:

Pri radu s uređajem u uvjetima različite vlažnosti, otvor za ispuštanje hladnjaka (9) mora biti stalno otvoren i osiguravati stalnu odvodnju vode.

Način hlađenja "K":

1. Kad je sobna temperatura viša od zadate temperature na upravljačkoj ploči, kompresor počinje raditi.
2. Kad je sobna temperatura niža od zadate temperature na upravljačkoj ploči, zaustavljanje kompresora i gornji ventilator rade izvornom podešenom brzinom.

Način ventilatora "M..":

1. Gornji centrifugalni ventilator radi postavljenom brzinom, a kompresor ne radi.
2. Podešavanje temperature nije učinkovito.

Rad tajmera "N":

1. Pritisnite gumb "N" za podešavanje vremena automatskog isključivanja dok jedinica radi.
2. Pritisnite tipku "N" za podešavanje Automatsko uključeno vrijeme dok je jedinica spremna.
3. Vrijeme se može podesiti u rasponu od 1 sata do 24 sata pritiskom na tipku "D" ( + ) ili "E" ( - ) .

Način mirovanja "I" rad i funkcija zaključavanja djeteta:

1. Način mirovanja djeluje kada se jedinica hladi "K" načinom.
2. Pritisnite tipku "I" u hladnom načinu "K", tada će jedinica raditi u načinu mirovanja, a gore centrifugalni ventilator automatski će se prebaciti na malu brzinu. Postavljena temperatura će se povećati za 1 °C nakon jednog sata, a povećati za 2 °C nakon dva sata. Nakon šest sati jedinica će prestati raditi.
3. Pritisnite tipku za zaključavanje djeteta "I" tri sekunde kako bi se ostale funkcije ne mogle koristiti. Ponovno pritisnite 3 sekunde, otključaćete dječju funkciju zaključavanja, u međuvremenu će se sve ostale funkcije moći ponovo upotrebljavati.

Rad u načinu rada ljuljačka "O":

Kad je uređaj uključen, pritisnite gumb "O", okomita letva će se uključiti ili isključiti. Kada je uključen, letva se može ljuljati naprijed-natrag unutar 60 stupnjeva. Ponovno pritisnite gumb "O", otvor će se prestati njihati.

Obavijest:

Glavna upravljačka ploča ima funkciju memorije, kada je uređaj spreman za rad, ali u statusu zaustavljanja, glavna upravljačka ploča može upamtiti pokretanje radnog načina. Kad uključite jedinicu, ona će raditi isto što i prošli put, nema potrebe za ponovnim postavljanjem radnog načina. (Ovaj uvjet nije dostupan ako je jedinica u režimu AUTO "J".)

DALJINSKI UPRAVLJAČ

1. Povucite stražnji poklopac kako biste ga otvorili i skinite izolacijski film na baterije.
2. Stavite baterije unutar utora i moraju odgovarati znakovima "+" i "-" na daljinskom upravljaču.
3. Izvadite baterije dugo vremena bez upotrebe.
4. Da biste spriječili onečišćenje okoliša, izvadite rabljene baterije i odložite sigurnost na odgovarajući način.

Za rad uređaja usmjerite daljinski upravljač (..) prema signalnom receptoru. Daljinski upravljač upravljać će uređajem na udaljenosti od 5 metara kada će usmjeriti signal signala uređaja.

## ZAŠTITNI UREĐAJI

U sljedećim slučajevima zaštitni uređaj može otključati i zaustaviti aparat:

1. pri načinu hlađenja: temperatura zraka u zatvorenom prostoru je iznad 43 ° C (109 ° F)
2. pri načinu hlađenja: sobna temperatura ispod 15 ° C (59 ° F)
3. u režimu odvlaživanja zraka: sobna temperatura je ispod 15 ° C (59 ° F).

Ako uređaj radi u načinu hlađenja „K” ili odvlaživanjem „L” načina rada s otvorenim vratima ili prozorima kad je relativna vlaga iznad 80%, rosa može kapnuti iz utičnice.

Zaštitni uređaj djeluje u sljedećim slučajevima:

1. Da biste ponovno pokrenuli uređaj odmah nakon zaustavljanja rada ili promjene odabranog načina rada, morate pričekati 3 minute.
2. Ako je utikač izvađen, nakon ponovnog pokretanja uređaj će se vratiti u izvorni način rada, TIMER ON i TIMER OFF - ponovo se moraju postaviti.

**NAPOMENA:** unutar ovog uređaja skriva se recikliranje kondenzirane vode. Kondenzacijska voda djelomično se nastavlja reciklirati između kondenzatora i vodene ploče. Kad nivo vode poraste na gornju razinu, svijetli prekidač plovka i indikator pune vode (E4) koji podsjećaju na odvod vode. Prekinite napajanje strujom, prebacite aparat na prikladno mjesto, uklonite čep za odvod, u potpunosti ispuštite vodu. Nakon odvoda, ponovno umetnite utikač ili će aparat procuriti i učiniti da je vaša soba mokra.

Ako je aparat postavljen u položaj da dopušta drenažnu vodu, također možete spojiti otvor za odvod na odvodnom otvoru za odvod vode. Odvodna cijev se dodaje u komplet, s unutarnjim promjerom 9 mm, vanjskim promjerom 12 mm, materijal: PVC..

Rješavanje problema

1) Trouble: Ne radi.

Analiza:

- a) možda se pokvari zaštitni zaštitnik ili osigurač, pričekajte 3 minute i pokrenite ponovo, uređaj zaštitnika možda sprečava rad uređaja.
  - c) možda su istrošene baterije na daljinskom upravljaču.
  - d) možda utikač nije ispravno priključen.
- 2) Problemi: djeluje samo kratko vrijeme

Analiza:

- a) ako je postavljena temperatura blizu sobne temperature, možete sniziti postavljenu temperaturu.
  - b) možda je otvor za zrak blokiran preprekom. Otklonite prepreku.
- 3) Problem: djeluje, ali ne hladi

Analiza:

- a) možda su vrata ili prozor otvoreni.
  - b) možda se u neposrednoj blizini nalazi još jedan uređaj koji toplinski radi, poput grijača ili svjetiljke, itd...
  - c) filter zraka je prijav, molim ga očistite.
  - d) blokira se izlaz ili usis zraka.
  - f) postavljena temperatura je previsoka.
- 4) Problemi: Propuštanje vode tijekom kretanja.

Analiza:

- a) ispuštite kondenzat prije pomicanja.
  - b) da biste izbjegli istjecanje vode, locirajte uređaj na ravnom terenu.
- 5) Problemi: Ne radite i pokazivač pune vode "E4"

Analiza:

- a) izvucite gumeni čep za odvod vode.
- b) ako je često u ovom stanju, obratite se kvalificiranom tehničaru.

Rješavanje problema

6) Problem: Uređaj se ne pokreće.

Analiza:

- a) možda nije uključen u struju. Dakle, uključite ga.
- b) možda oštećenja utikača ili utičnice. Zamijenite od strane davatelja usluga.
- c) možda je osigurač pokvaren. Zamijenite osigurač kod davatelja usluga (specifikacija: 3,15A / 250VAC).
- 7) Problem: Uređaj se automatski zaustavlja.

Analiza:

a) isključivanje vremena ili postignuta postavljena temperatura. Ponovno ga pokrenite ili pričekajte automatsko prebacivanje.

8) Problemi: nema hladnog zraka pod COOL "K" načinom.

Analiza:

a) sobna temperatura niža od postavljene. To je normalna pojava, stroj će se automatski prebaciti dok je sobna temperatura viša od zadate temperature.

b) Uređaj ulazi u zaštitu od smrzavanja. Uređaj će se automatski prebaciti nakon završetka zaštite od smrzavanja.

9) Problem: LED prikazuje kôd pogreške "E2"

Analiza:

a) senzor sobne temperature ne radi ili se ošteti. Zamijenite osjetnik temperature prostorije od davatelja usluga.

10) Problem: LED prikazuje kôd pogreške "E3"

Analiza:

a) osjetnik cijevi ulja isparivača ne radi ili se ošteti. Zamijenite senzor cijevi namotaja isparivača kod davatelja usluga.

11) Problem: LED prikazuje kôd pogreške "E4"

Analiza:

a) upozorenje puno vode. Ispustite vodu.

## ČIŠĆENJE I ODRŽAVANJE

Održavanje uređaja

1. Prije isključenja napajanja isključite uređaj.
2. Obrišite mekom i suhom krpom. Za čišćenje ako je uređaj jako prljav, koristite mlaku vodu ispod 40 ° C.
3. Nikad ne koristite hlapljive tvari kao što su benzin ili prašak za poliranje za čišćenje uređaja.

Održavanje zračnog filtra

Ako uređaj radi u izuzetno prašnjavom okruženju, potrebno je očistiti zračni filter svaka 2 tjedna. Očistite na sljedeći način:

1. Prvo zaustavite uređaj, gurnite filter za zrak (Slika F).
2. Očistite i ponovno ugradite filter.
3. Ako je prljavština upadljiva, isperite je otopinom deterdženta u mlakoj vodi. Nakon čišćenja osušite ga na zasjenjenom i hladnom mjestu, a zatim ga ponovo instalirajte.

Održavanje nakon upotrebe

1. Ako uređaj neće koristiti duže vrijeme, obavezno izvucite gumeni čep gornjeg otvora za odvod hladnjaka (8) i otvor za odvod hladnjaka (9) otvora za odvod hladnjaka kako biste ispustili vodu ,
2. Uređaj držite s ventilatorom samo pola dana tijekom sunčanog dana kako biste osušili uređaj iznutra i spriječili plijesan.
3. Zaustavite uređaj i izvucite utikač, zatim izvadite baterije daljinskog upravljača i pravilno pohranite uređaj.
4. Očistite zračni filter i ponovno ga ugradite.
5. Skinite crijeva za zrak i pravilno ih pohranite, te rupu čvrsto pokrijte.

## TEHNIČKI PODACI:

Kapacitet hlađenja na BTU: 9000 BTU / sat

Kapacitet hlađenja u vatima: 2600

Potrošnja energije (hlađenje) W: 950 W

Glasnoća: <= 65dB

Protok zraka: 380 m3 / h

Energetski razred: A

Mjerač vremena: 24 sata

Težina R290 rashladne tekućine: max. 200 grama



Oprez, opasnost od požara

NE bušiti i ne paliti.

Imajte na umu da rashladno sredstvo ne sadrži neugodan miris.

Maksimalna količina punjenja rashladnog sredstva: 200g.



Vodimo brigu o prirodnem okolju. Kartonsku ambalažo molimo preneti na odpadni papir. Polietilen (PE) vreče bacati u kontejner za plastiku. Istrošena oprema treba biti premještena na prikladno mjesto za pohranu, jer sadrže u uređaju opasne tvari mogu predstavljati opasnost za okoliš. Električni uređaj mora biti predat u takvom stanju da se smanji mogućnost njegove ponovne upotrebe. Ako vaš uređaj ima baterije, treba njih ukloniti i predati na mjesto za pohranu odvojeno.

## SLOVENŠČINA

### SPLOŠNI VARNOSTNI POGOJI

#### POMEMBNA VARNOSTNA NAVODILA PREVIDNO PREBERITE IN PRIPRAVITE SE ZA PRIHODNOST

1. Pred uporabo naprave preberite navodila za uporabo in sledite navodilom, ki jih vsebuje. Proizvajalec ne odgovarja za škodo, ki jo povzroči uporaba naprave v nasprotju s predvidenim namenom ali nepravilnim delovanjem.
2. Naprava je samo za domačo uporabo. Ne uporabljajte za druge namene, ki niso predvideni.
3. Napravo je treba priključiti na električno vtičnico le z ozemljenim 220 240 V ~ 50Hz. Za povečanje obratovalne varnosti več električnih naprav ne bi smelo biti priključeno na en tokovni tokokrog hkrati.
4. Bodite zelo previdni pri uporabi naprave, ko so otroci v bližini. Ne dovolite otrokom, da se igrajo z napravo, ne dovolite otrokom ali ljudem, ki jih naprava ne pozna, da jo uporabljajo.
5. **OPOZORILO:** To opremo lahko uporabljajo otroci, starejši od 8 let, in osebe z omejenimi telesnimi, senzoričnimi ali duševnimi sposobnostmi ali osebe, ki nimajo izkušenj ali znanja o opremi, če se to izvaja pod nadzorom odgovorne osebe. zaradi varnosti ali so jim bili odobreni podatki o varni uporabi naprave in se zavedajo nevarnosti uporabe. Otroci se ne smejo igrati z opremo. Čiščenja in vzdrževanja naprave ne smejo izvajati otroci, razen če so starejši od 8 let in se te dejavnosti izvajajo pod nadzorom.
6. Vedno odklopite napajalni kabel, tako da po uporabi držite vtičnico z roko. NE vlecite napajalnega kabla.
7. Kabla, vtiča in celotne naprave ne potopite v vodo ali katero koli drugo tekočino. Naprave ne izpostavljajte atmosferskim razmeram (dež, sonce itd...) In ne uporabljajte v pogojih visoke vlažnosti (kopalnice, vlažne mobilne hišice).
8. Občasno preverite stanje napajalnega kabla. Če je napajalni kabel poškodovan, ga zamenjajte s specializirano servisno delavnico, da se izognete nevarnosti.
9. Naprave ne uporabljajte s poškodovanim napajalnim kablom ali če je padel ali poškodovan na kakršen koli drug način ali če ne deluje pravilno. Naprave ne popravljajte sami, saj obstaja nevarnost električnega udara. Poškodovano napravo odnesite v ustrezen servisni center, da preverite ali popravite. Vsa popravila smejo izvajati samo pooblašteni serviserji. Nepravilno opravljena popravila lahko za uporabnika resno ogrozijo.
10. Napravo postavite na hladno in stabilno površino, stran od vročih kuhinjskih aparatov, kot so: električni štedilnik, plinski gorilnik itd...
11. Prepričajte se, da nič ne blokira dovoda in izstopa zraka v napravi
12. Napravo uporabljajte samo na ravni površini, da preprečite razlitje kondenzata
13. Za dodatno zaščito je priporočljivo v električni tokokrog vgraditi napravo za preostali tok (RCD) z nazivno preostalo vrednostjo, ki ne presega 30 mA. Za to vprašajte električarja.

14. Zračni filter redno čistite. Pogostost čiščenja je odvisna od čistoče zraka.
15. Po izklopu stroja počakajte vsaj 5 minut, preden ga ponovno vklopite.
16. Naprave ne uporabljajte na sončnih mestih. Ko se naprava pregreje, se vklopi zaščita pred pregrevanjem.
17. Za zagotovitev učinkovitega hlajenja je treba med stranskimi stenami naprave in steno ali pohištvom ali zavesami držati vsaj 60 cm razdalje.
18. Če je razlika med ciljno temperaturo in temperaturo okolice zaradi omejene zmogljivosti naprave prevelika, ciljne temperature morda ne bo mogoče doseči.
19. Če želite zmanjšati tveganje požara, električnega udara ali poškodb pri uporabi klimatske naprave, upoštevajte naslednje osnovne previdnostne ukrepe:
  - a) Priključite na ozemljeno vtičnico s tremi zatiči.
  - b) Ne odstranjajte ozemljitvenega droga.
  - c) Ne uporabljajte adapterja.
  - d) Ne uporabljajte podaljševalnega kabla.
  - e) klimatsko napravo pred servisiranjem izkjučite.
  - f) Za premikanje in namestitvev klimatske naprave uporabite dve ali več oseb.
20. Ne uporabljajte sredstev, ki pospešujejo postopek odtaljevanja ali čiščenja, razen tistih, ki jih priporoča proizvajalec.
21. Napravo je treba hraniti v prostoru brez stalno delujočih virov vžiga, na primer: odprtega ognja, plinskih naprav ali električnih grelnikov.

#### PRED PRVO UPORABO - (slika E)

Priključke priključite na odvod zraka, kot sledi:

1. Podaljšajte izpušni kanal za zrak (10) tako, da izvlečete dva konca cevi.
2. Privijte dovod za odvod zraka (10) v priključek izpušnega kanala za zrak (11).
3. Priključite konektor izpuha za odvod zraka (11) na napravo.

#### OPOMBE:

1. Enoto držite najmanj 1 meter stran od televizorja ali radia, da se izognete elektromagnetnim motnjam.
2. Naprave ne izpostavljajte neposredni sončni svetlobi, da preprečite, da bi barva na površini zbledela.
3. Med prevozom enote ne nagibajte za več kot 35 ° ali na glavo. Če se je naprava med prevozom prevrnila, jo pravilno odložite in počakajte 2-4 ure, preden jo zaženete.
4. Enoto postavite na ravno površino z naklonom manj kot 5 °.
5. Naprava deluje učinkoviteje na določenih lokacijah, izberite najboljšo lokacijo:
  - Poleg okna, vrat ali francoskega okna.
  - Naj bo potrebno oddaljenost povratnega zraka do stene ali drugih ovir najmanj 60 cm.
  - Podaljšajte zračno cev, da zagotovite, da ima drugi konec cevi zračnost med okenskimi vrati, francosko okno ali steno.
  - Zračne odprtine ali vstopa ne morete preprečiti z zaščitno mrežo ali kakršnimi koli ovirami.
- Če želite podaljšati življenjsko dobo naprave, izpusite kondenzirano vodo iz zgornjih (8) in spodnjih (9) hladilnih odprtih hladilnika, preden jo ob koncu sezone enoto odložite v skladišče.

#### OPIS NAPRAVE (sliki A in B)

- |   |  |
|---|--|
| 1. Nadzorna plošča                      | 4. Odvod hladnega zraka                  |
| 3. Signalni receptor                    | 4. Daljinski upravljalnik                |
| 5. Transportni ročaj                    | 6. Izpušni kanal                         |
| 7. Dovod uparjalnika                    | 8. Odvodna odprtina za zgornji hladilnik |
| 9. Odtočna odprtina hladilnika navzdol  | 10. Odvod zraka za odvod zraka           |
| 11. Priključek izpušnega kanala za zrak | 12. Adapter za izpušni sistem            |

#### NADZORNA PLOŠČA (slika C)

- |                           |   |
|---------------------------|---|
| A. Gumb za vklop / izklop | B. Gumb za hitrost ventilatorja         |
| C. Tipka načina           | D. Tipka za merjenje časa / temperature |



E. Gumb za izklop časovnika / temperature  
G. Gumb za visoke hitrosti  
I. Tipka za spanje in zaklepanje otroka  
K. Hladni način  
M. Način ventilatorja  
O. Tipka za nihanje

F. Gumb z nizko hitrostjo  
H. Indikator napajanja  
J. Samodejni način  
L. Način razvlaževanja  
N. Tipka gumba  
P. Otroška ključavnica

#### DALJINSKI KONTROLER - slika D

Daljinski upravljalnik odda signale v sistem.

Gumb "A" - aparat se bo zagnal, ko je vklopljen, ali pa se bo ustavil, ko deluje, če pritisnete ta gumb.

Gumb "C" - pritisnite, da izberete način delovanja: "J", "K", "L" ali "M".

Gumb "B" - pritisnite, da izberete hitrost ventilatorja zaporedoma.

Gumb "D" / "E" - pritisnite, da prilagodite sobno temperaturo in časovnik.

Gumb "I" - pritisnite za nastavitve ali preklic načina mirovanja.

Gumb "N" - pritisnite, da nastavite čas samodejnega izklopa in samodejnega vklopa.

Gumb "O" - pritisnite, če želite nastaviti ali preklicati način nihanja žaluzij.

#### DELOVANJE NADZORNE PLOŠČE

AVTOMATSKO / HLADNO / SUHO / Ventilator

1. Vključite napravo.

a) Priključite napravo in nato naprava enkrat piska. Lučka za napajanje "H" sveti.

b) Pritisnite gumb "A" in naprava se vklopi.

c) LED dioda prikaže sobno temperaturo in začne delovati v samodejnem načinu.

2. Izberite način delovanja

Pritisnite gumb "C" in izberite zeleni način delovanja po zaporedju:

Samodejni način "J" -> način hlajenja "K" -> način sušenja "L" -> način ventilatorja "M."

3. Prilagodite temperaturo

Temperatura se lahko nastavi v območju od 15 ° -31 ° C. Pritisnite "D" ali "E", da zvišujete ali znižate temperaturo za 1 ° C s pritiskom na enkrat. LED plošča naprave prikazuje ciljno temperaturo 5 sekund in nato prikaže temperaturo v sobi.

4. Prilagodite hitrost ventilatorja

Pritisnite gumb "B", da izberete zeleno hitrost ventilatorja po zaporedju:

Nizka hitrost "F" -> Visoka hitrost G

5. Moč

Ko ponovno pritisnete tipko "A", se bo naprava oglasila "di", indikator moči "H" ugasnil in prenehal delovati.

6. Pritisnite ta gumb "I" za vstop v stanje mirovanja naprave.

7. Pritisnite ta gumb "N", da nastavite časovno zaustavitev.

8. Pritisnite ta gumb "O", da nastavite nihanje zračnega nihanja navzdol.

Vsak način delovanja:

AUTO "J" način:

Ko je izbrano delovanje "J", senzor temperature v notranjosti deluje samodejno in izbere enega od spodnjih načinov delovanja:

- Ko je sobna temperatura  $\geq 24$  °C, bo enota samodejno izbrala način "K".

ali

- Ko je sobna temperatura < 24 °C, bo naprava samodejno izbrala način visoke hitrosti ventilatorja "M".

Način razvlaževanja zraka "L":

1. Vžigalni centrifugalni ventilator deluje z nizko hitrostjo, hitrosti pa ni mogoče prilagoditi.

2. Po 8 minutah se kompresor ustavi, nato pa po 6 minutah ponovno deluje.

3. Naprava sprejme način razvlaževanja s konstantno temperaturo in prilagajanje temperature ni učinkovito.

OPOZORILO:

Pri delovanju naprave v pogojih različne vlažnosti mora biti odprtina za odtok (9) hladilnika navzdol neprekinjeno odprta in zagotavljati nenehno odvajanje vode.

Način COOL "K":

1. Ko je sobna temperatura višja od nastavljene temperature na nadzorni plošči, kompresor začne delovati.
2. Ko je sobna temperatura nižja od nastavljene temperature na nadzorni plošči, zaustavitev kompresorja in zgornji ventilator delujeta s prvotno nastavljenlo hitrostjo.

Način ventilatorja "M..".

1. Zgornji ventilator deluje z nastavljenlo hitrostjo, kompresor pa ne deluje.
2. Prilagoditev temperature ni učinkovita.

Delovanje časovnika "N":

1. Pritisnite gumb "N", da nastavite čas samodejnega izklopa med delovanjem enote.
2. Pritisnite tipko "N", da nastavite samodejno vklop, ko je enota pripravljena.
3. Čas lahko prilagodite v razponu od 1 ure do 24 ur s pritiskom gumba "D" ( + ) ali "E" ( - ) .

Delovanje v načinu mirovanja "I" in funkcija zaklepanja otrok:

1. Način mirovanja deluje, ko enota hladi "K".
2. V hladilnem načinu "K" pritisnite tipko "I", potem bo enota delovala v stanju spanja in navzgor se centrifugalni ventilator samodejno preklopi na nizko hitrost. Nastavljena temperatura se bo po eni uri zvišala za 1,, po dveh urah pa za 2 °C. Po šestih urah bo enota prenehala delovati.
3. Pritisnite tri sekunde tipko za zaklepanje, da ne bi mogli uporabljati vseh drugih funkcij. Ponovni pritisk na 3 sekunde bo sprožil funkcijo zaklepanja otrok, medtem ko bodo vse druge funkcije lahko ponovno uporabljale.

Delovanje načina "O" nihanje:

Ko je naprava vklopljena, pritisnite gumb "O", navpična loputa se vklopi ali izklopi. Ko je vklopljen, se lahko žarnica zasuka naprej in nazaj znotraj 60 stopinj. Ponovno pritisnite gumb "O", loputa bo prenehala nihati.

Opaziti:

Glavna nadzorna plošča ima funkcijo pomnilnika, ko je naprava pripravljena za zagon, vendar je v stanju zaustavitve, lahko glavna nadzorna plošča zapomni inicializacijo delovnega načina. Ko vklopite enoto, bo delovala enako kot prejšnji čas in ni treba ponovno postavljati delovnega načina. (Ta pogoj ni na voljo, če je enota v načinu AUTO "J".)

DALJINEC

1. Odprite zadnji pokrov, da se odpre, in odstranite izolacijski film na baterijah.
2. Vstavite baterije v režo, ki morajo ustrezati znakom "+" in "-" na daljinskem upravljalniku.
3. Dolgo časa ne uporabljajte baterij.
4. Če želite preprečiti onesnaževanje okolja, izvlecite izrabljene baterije in varno in pravilno odstranite.

Za upravljanje naprave usmerite daljinski upravljalnik (..) na signalni receptor. Daljinski upravljalnik bo upravljal napravo na razdalji 5 metrov, ko bo kazal signalni receptor naprave.

ZAŠČITNE NAPRAVE

Zaščitna naprava lahko izklopi in ustavi aparat v spodaj navedenih primerih:

1. pri načinu hlajenja: temperatura zraka v zaprtih prostorih je nad 43 ° C (109 ° F)
2. pri načinu hlajenja: sobna temperatura je pod 15 ° C (59 ° F)
3. pri načinu razvlaževanja: sobna temperatura je pod 15 ° C (59 ° F).

Če naprava deluje v hladilnem načinu "K" ali razvlaži "L" z odprtimi vrati ali okni, ko je relativna vlaga nad 80%, lahko rosa kaplja navzdol iz vtičnice.

Zaščitna naprava deluje v naslednjih primerih:

1. Po ponovnem zagonu naprave takoj po prenehanju dela ali spremembi izbranega načina med delom morate počakati 3 minute.
2. Če je bil vtič odstranjen, se bo naprava po ponovnem zagonu vrnila v prvotni način, TIMER ON in TIMER OFF - je treba znova nastaviti.

OPOMBA: v tej enoti se skriva recikliranje kondenza vode. Kondenzacijska voda delno ostane v recikliranju med kondenzatorjem in vodno ploščo. Ko se nivo vode dvigne na zgornjo raven, zasveti plavajoče stikalo in indikator polne vode (E4), da opomni na odtekanje vode. Prekinite napajanje, napravo prestavite na primerno mesto, odstranite čep za izpust, popolnoma izpusite vodo. Po izpraznitvi znova namestite vtič, ali naprava lahko pušča in vaš prostor postane moker.

Če je aparat postavljen v položaj, ki dopušča odtočno vodo, lahko za odtok vode priključite tudi odtočno luknjo na odtočno odprtino. V komplet je dodana odtočna cev z notranjim premerom 9 mm, zunanji premerom 12 mm, material: PVC.

Odpravljanje težav

1) Težava: Ne delajte.

Analiza:

a) morda se sproži zaščitna zaščita ali varovalka, počakajte 3 minute in začnite znova, ker lahko zaščitna naprava prepreči delovanje naprave.

c) morda so baterije na daljinskem upravljalniku iztrošene.

d) morda vtič ni pravilno priključen.

2) Težava: deluje le kratek čas

Analiza:

a) če je nastavljena temperatura blizu sobne temperature, lahko nastavite temperaturo.

b) morda preprečuje odtok zraka ovira. Odstranite oviro.

3) Težava: deluje, vendar ne hladi

Analiza:

a) morda so vrata ali okna odprta.

b) morda je v bližini oddaljena še ena naprava, ki deluje toplotno kot grelec ali svetilka itd...

c) zračni filter je umazan, očistite ga.

d) odvod ali dovod zraka je blokiran.

f) nastavljena temperatura je previsoka

4) Težava: Puščanje vode med.. premikanjem.

Analiza:

a) pred premikanjem izpusite kondenzat.

b) Da se izognete uhajanju vode, napravo položite na ravna tla.

5) Težava: Ne delajte in indikator polnega vode "E4"

Analiza:

a) izvlecite gumijasti čep za odtok vode.

b) če je pogosto v tem stanju, se obrnite na usposobljenega serviserja.

Odpravljanje težav

6) Težava: Naprava se ne zažene.

Analiza:

a) morda ni priključen. Torej, priključite ga.

b) morda poškodbe vtiča ali vtičnice. Zamenjajte jih pri ponudniku storitev.

c) morda je varovalka pokvarjena. Varovalko zamenjajte pri ponudniku storitev (specifikacija: 3,15A / 250VAC).

7) Težava: Naprava se samodejno ustavi.

Analiza:

a) časovni izklop ali nastavljena dosežena temperatura. Znova ga zaženite ali počakajte, da se samodejno preklopi.

8) Težave: brez hladnega zraka v COOL "K" načinu.

Analiza:

a) sobna temperatura je nižja od nastavljene temperature. To je običajen pojav, stroj se bo samodejno preklopil, ko je sobna temperatura višja od nastavljene temperature.

b) Naprava zaščiti pred zmrzovanjem. Naprava se bo samodejno preklopila po končani zaščiti pred zmrzovanjem.

9) Težave: LED prikazuje kodo napake "E2"

Analiza:

a) senzor sobne temperature ne uspe ali se poškoduje. Senzor sobne temperature zamenjajte pri ponudniku storitev.

10) Težave: LED prikazuje kodo napake "E3"

Analiza:

a) Senzor cevi za olje uparjalnika ne uspe ali se poškoduje. Senzor cevi tuljave uparjalnika zamenjajte pri ponudniku storitev.

11) Težave: LED prikazuje kodo napake "E4"

Analiza:

a) opozorilo, ki je polno vode. Odcedite vodo.

## ČIŠČENJE IN VZDRŽEVANJE

Vzdrževanje naprav

1. Pred izklopom iz napajanja najprej izklopite napravo.
2. Obrišite z mehko in suho krpo. Če je naprava zelo umazana, jo očistite z mlačno vodo pod 40 ° C.
3. Za čiščenje naprave nikoli ne uporabljajte hlapnih snovi, kot sta bencin ali polirni prašek.

Vzdrževanje zračnega filtra

Če naprava deluje v izjemno prašnem okolju, je potrebno vsaka 2 tedna očistiti zračni filter. Očistite na naslednji način:

1. Najprej ustavite napravo, potisnite zračni filter (Slika F).
2. Očistite in ponovno namestite zračni filter.
3. Če je umazanija vidna, jo sperite z raztopino detergenta v mlačni vodi. Po čiščenju ga posušite v zasenčenem in hladnem prostoru, nato pa ga znova namestite.

Vzdrževanje po uporabi

1. Če naprava ne bo uporabljala dlje časa, ne pozabite izvleciti gumijastega čepa zgornje odprtine za odtok hladilnika (8) in gumijastega vtiča navzdol odtočne odprtine hladilnika (9) za odtok vode .
2. Med sončnim dnevom napravo pustite, da deluje z ventilatorjem le pol ure, da napravo posušite v notranjosti in preprečite, da bi se plesnila.
3. Ustavite napravo in izvlecite vtič napajalnega kabla, nato vzemite baterije daljinskega upravljalnika in napravo pravilno shranite.
4. Očistite zračni filter in ga ponovno namestite.
5. Odstranite cevi za zrak in jih pravilno shranite ter luknjo dobro pokrijte.

## TEHNIČNI PODATKI:

Kapaciteta hlajenja pri BTU: 9000 BTU / uro

Hladilna zmogljivost v vatih: 2600

Poraba energije (hlajenje) W: 950 W

Prostornina: <= 65 dB

Pretok zraka: 380 m3 / h

Energetski razred: A

Časovnik: 24 ur

Teža hladilne tekočine R290: max. 200 gramov



Pozor, nevarnost požara  
NE prebijajte in ne gorijte.  
Bodite pozorni, da hladilno sredstvo morda ne vsebuje vonja.  
Najvišja količina hladilnega sredstva: 200 g.



Starostlivost o životné prostredie. Kartónový obal odovzdajte do zberných surovín. Polyetylénové vrecká (PE) vyhoďte do kontajnera na plast. Opatrebný spotrebič odovzdajte na príslušný zberný dvor, nebezpečné látky spotrebiča môžu predstavovať riziko pre životné prostredie. Elektrosprebič odstráňte tak, aby nedochádzalo z jeho ďalšiemu použitiu. Ak sa v spotrebiči nachádzajú batérie, vyberte ich a odovzdajte ich na zberné miesto osobitne. Spotrebič nevyhadzujte do kontajnera na komunálny odpad!

## ČESKY

### OBEČNÉ BEZPEČNOSTNÍ PODMÍNKY

**DŮLEŽITÉ BEZPEČNOSTNÍ POKYNY PŘEČTĚTE SI** opatrně a uložte je pro budoucnost  
1. Před použitím zařízení si přečtěte návod k obsluze a postupujte podle pokynů v něm

- obsažených. Výrobce neodpovídá za škody způsobené používáním zařízení v rozporu s jeho určeným účelem nebo nesprávným provozem.
2. Zařízení je určeno pouze pro domácí použití. Nepoužívejte k jiným účelům, než k zamýšlenému účelu.
3. Zařízení by mělo být připojeno pouze k síťové zásuvce s uzemněným 220 240 V ~ 50 Hz. Pro zvýšení provozní bezpečnosti by nemělo být současně připojeno více elektrických zařízení na jeden proudový obvod.
4. Při používání zařízení v blízkosti dětí buďte velmi opatrní. Nedovolte dětem, aby si se zařízením hrály, nedovolte dětem nebo osobám neznámým se zařízením, aby jej používaly.
5. **VAROVÁNÍ:** Toto zařízení mohou používat děti starší 8 let a lidé s omezenými fyzickými, smyslovými nebo mentálními schopnostmi nebo lidé, kteří nemají žádné zkušenosti nebo znalosti o vybavení, pokud se tak děje pod dohledem odpovědné osoby. z důvodu jejich bezpečnosti nebo jim byly poskytnuty informace o bezpečném používání zařízení a jsou si vědomy nebezpečí jeho používání. Děti by si s tímto zařízením neměly hrát. Čištění a údržbu zařízení by neměly provádět děti, pokud nejsou starší 8 let a tyto činnosti jsou prováděny pod dohledem.
6. Po použití vždy odpojte napájecí zástrčku tak, že budete držet zásuvku rukou. **NEDOTÝKEJTE** se napájecího kabelu.
7. Kabel, zástrčku a celé zařízení neponořujte do vody ani jiné kapaliny. Nevystavujte zařízení povětrnostním vlivům (déšť, slunce atd.) Ani je nepoužívejte v podmínkách vysoké vlhkosti (koupelny, vlhké mobilní domy).
8. Pravidelně kontrolujte stav napájecího kabelu. Pokud je napájecí kabel poškozen, měl by být vyměněn v odborném servisu, aby nedošlo k nebezpečí.
9. Nepoužívejte spotřebič s poškozeným napájecím kabelem nebo pokud spadl nebo je poškozen jiným způsobem nebo pokud nefunguje správně. Neopravujte zařízení sami, mohlo by dojít k úrazu elektrickým proudem. Poškozené zařízení odneste do příslušného servisního střediska ke kontrole nebo opravě. Veškeré opravy smí provádět pouze autorizovaný servis. Nesprávně provedené opravy mohou pro uživatele představovat vážné nebezpečí.
10. Umístěte zařízení na chladný, stabilní povrch, mimo horké kuchyňské spotřebiče, jako jsou: elektrický sporák, plynový hořák atd.
11. Ujistěte se, že nic neblokuje přívod a odvod vzduchu ze zařízení
12. Používejte zařízení pouze na rovném povrchu, aby se zabránilo úniku kondenzátu
13. Pro zajištění dodatečné ochrany je vhodné do elektrického obvodu nainstalovat zařízení na proudový chránič (RCD) s jmenovitým zbytkovým proudem nepřesahujícím 30 mA. Požádejte o to elektrikáře.
14. Pravidelně čistěte vzduchový filtr. Četnost čištění závisí na čistotě vzduchu.
15. Po vypnutí zařízení vyčkejte alespoň 5 minut, než jej znovu zapnete.
16. Nepoužívejte zařízení na slunných místech. Když se zařízení přehřeje, zapne se ochrana proti přehřátí.
17. Pro zajištění účinného chlazení by měla být mezi bočními stěnami zařízení a stěnou nebo nábytkem nebo závěsy dodržena vzdálenost nejméně 60 cm.

18. Vzhledem k omezenému výkonu zařízení, pokud je rozdíl mezi cílovou teplotou a okolní teplotou příliš velký, nemusí být cílové teploty dosaženo.

19. Abyste snížili riziko požáru, úrazu elektrickým proudem nebo zranění při používání klimatizace, dodržujte následující základní opatření:

- a) Připojte k uzemněné zásuvce pomocí 3 pinů.
- b) Neodstraňujte uzemňovací kolík.
- c) Nepoužívejte adaptér.
- d) Nepoužívejte prodlužovací kabel.
- e) Před údržbou odpojte klimatizaci.
- f) K přemísťování a instalaci klimatizace použijte dvě nebo více osob.

20. Nepoužívejte prostředky, které urychlují proces odmrazování nebo čištění, než ty, které doporučuje výrobce.

21. Zařízení by mělo být skladováno v místnosti bez stálých provozních zdrojů zapálení, například: otevřený oheň, plynové spotřebiče nebo elektrické ohřívače.

#### PŘED PRVNÍM POUŽITÍM - (obrázek E)

Připojte konektory k potrubí pro odvod vzduchu následujícím způsobem:

1. Prodlužte potrubí pro odvod vzduchu (10) vytažením obou konců kanálu.
2. Zašroubujte potrubí pro odvod vzduchu (10) do konektoru pro vedení vzduchu (11).
3. Připojte konektor výfukového potrubí vzduchu (11) k zařízení.

#### POZNÁMKY:

1. Udržujte jednotku alespoň 1 metr od TV nebo rádia, aby nedošlo k elektromagnetickému rušení.
  2. Nevystavujte jednotku přímému slunečnímu záření, aby nedošlo k vyblednutí barvy povrchu.
  3. Během přepravy nenaklánějte jednotku o více než 35 ° nebo obráceně. Pokud bylo zařízení během přepravy převrácené, odložte jej správně a počkejte 2 až 4 hodiny, než jej zapnete.
  4. Umístěte jednotku na rovnou plochu se sklonem menším než 5 °.
  5. Jednotka pracuje efektivněji v určitých místech místnosti, vyberte nejlepší umístění:
    - Vedle okna, dveří nebo francouzského okna.
    - Dodržujte požadovanou vzdálenost od výstupu zpátečky ke zdi nebo jiným překážkám alespoň 60 cm.
    - Vysuňte vzduchovou hadici a ujistěte se, že na druhém konci vzduchové hadice je vůle mezi dveřmi okna nebo francouzským oknem nebo otvorem ve zdi.
    - Výstup nebo přívod vzduchu nelze blokovat ochrannou mřížkou nebo překážkou.
- Chcete-li prodloužit životnost jednotky, vypusťte kondenzovanou vodu z horních (8) a dolních (9) vypouštěcích otvorů chladiče před uvedením jednotky do skladování na konci sezóny.

#### POPIS ZAŘÍZENÍ (obrázky A a B)

- |   |                                    |
|---|------------------------------------|
| 1. Ovládací panel                           | 2. Výstup studeného vzduchu        |
| 3. Signální receptor                        | 4. Dálkový ovladač                 |
| 5. Přepravní rukojeť                        | 6. Výfukové potrubí                |
| 7. Vstup výparníku                          | 8. Horní vypouštěcí otvor chladiče |
| 9. Vypouštěcí otvor chladiče dolů           | 10. Potrubí pro odvod vzduchu      |
| 11. Konektor vzduchového výfukového potrubí | 12. Adaptér pro odsávání oken      |

#### OVLÁDACÍ PANEL (obrázek C)

- |                                      |  |
|--------------------------------------|--|
| A. Vypínač ON / OFF                  | B. Tlačítko rychlosti ventilátoru      |
| C. Tlačítko režimu                   | D. Tlačítko časovače / zvýšení teploty |
| E. Tlačítko snížení času / teploty   | F. Tlačítko nízké rychlosti            |
| G. Tlačítko vysoké rychlosti         | H. Indikátor napájení                  |
| I. Tlačítko spánku a dětská pojistka | J. Automatický režim                   |
| K. Režim chlazení                    | L. Režim odvlhčování                   |
| M. Režim ventilátoru                 | N. Tlačítko časovače                   |
| O. Tlačítko oscilace                 | P. Dětský zámek                        |

#### DÁLKOVÝ OVLADAČ - obrázek D

Dálkový ovladač přenáší signály do systému.

Tlačítko „A“ - spotřebič se spustí, když je pod napětím, nebo se zastaví, když je v provozu, pokud stisknete toto tlačítko.

Tlačítko „C“ - stiskem zvolíte provozní režim: „J“, „K“, „L“ nebo „M“.

Tlačítko „B“ - stiskem zvolíte sekvenční rychlost ventilátoru.

Tlačítko „D“ / „E“ - stisknutím nastavíte pokojovou teplotu a časovač.

Tlačítko „I“ - stisknutím nastavíte nebo zrušíte režim spánku.

Tlačítko „N“ - stisknutím nastavíte čas automatického vypnutí a automatického zapnutí.

Tlačítko „O“ - stiskem nastavíte nebo zrušíte režim houpání žaluzií.

## OBSLUHA OVLÁDACÍHO PANELU

### AUTOMATICKÝ / COOL / SUCHÝ / VENTILÁTOR

#### 1. Zapněte zařízení.

a) Připojte zařízení a poté jednou zapípa. Kontrolka napájení „H“ svítí.

b) Stiskněte tlačítko „A“ a zařízení se zapne.

c) LED dioda zobrazuje pokojovou teplotu a začíná pracovat v automatickém režimu.

#### 2. Vyberte provozní režim

Stisknutím tlačítka „C“ vyberte požadovaný režim činnosti postupně:

Automatický režim „J“ -> Režim chlazení „K“ -> Režim sušení „L“ -> Režim ventilátoru „M.“

#### 3. Upravte teplotu

Teplota může být nastavena v rozsahu 15 ° - 31 ° C. Stiskněte tlačítko „D“ nebo „E“ pro zvýšení nebo snížení teploty o 1 ° C jedním stisknutím. LED panel zařízení zobrazuje cílovou teplotu po dobu 5 sekund a poté zobrazuje pokojovou teplotu.

#### 4. Upravte rychlost ventilátoru

Stisknutím tlačítka „B“ vyberte požadovanou rychlost ventilátoru podle pořadí:

Nízká rychlost „F“ -> Vysoká rychlost G

#### 5. Síla

Po dalším stisknutí tlačítka „A“ zazní zařízení „di“, indikátor napájení „H“ zhasne a přestane fungovat.

6. Stisknutím tohoto tlačítka „I“ přejdete do režimu spánku zařízení.

7. Stisknutím tohoto tlačítka „N“ nastavíte časované vypnutí.

8. Stisknutím tohoto tlačítka „O“ nastavíte oscilaci výkyvu vzduchu nahoru.

Princip fungování každého režimu:

#### AUTO „J“ režim:

Jakmile je vybrána operace „J“, čidlo vnitřní teploty pracuje automaticky a vybírá jeden z níže uvedených provozních režimů:

- Když je pokojová teplota  $\geq 24$  , přístroj automaticky zvolí režim chlazení „K“.

nebo

- Při pokojové teplotě  $< 24$  jednotka automaticky zvolí režim vysoké rychlosti ventilátoru „M“.

#### Odvlhčování režimu „L“:

1. Odstředivý ventilátor běží nahoru při nízké rychlosti a rychlost nemůže být nastavena.

2. Kompresor se zastaví po chodu 8 minut a poté po 6 minutách znovu.

3. Zařízení používá režim odvlhčování konstantní teploty a nastavení teploty není účinné.

#### VAROVÁNÍ:

Při provozu zařízení v podmínkách různé vlhkosti by měl být vypouštěcí otvor (9) dolního chladiče neustále otevřený a měl by zajistit konstantní odvod vody.

#### Režim COOL „K“:

1. Když je pokojová teplota vyšší než nastavená teplota na ovládacím panelu, kompresor začne běžet.

2. Když je pokojová teplota nižší než nastavená teplota na ovládacím panelu, zastaví se kompresor a horní ventilátor při původní nastavené rychlosti.

#### Režim ventilátoru „M.“:

1. Odstředivý ventilátor běží nahoru při nastavené rychlosti a kompresor neběží.

2. Nastavení teploty není účinné.

Provoz časovače "N":

1. Stisknutím tlačítka „N“ nastavíte čas automatického vypnutí, když je jednotka v provozu.
2. Stisknutím tlačítka „N“ nastavíte čas automatického zapnutí, když je jednotka připravena.
3. Stisknutím tlačítka „D“ ( + ) nebo „E“ ( - ) lze čas nastavit v rozmezí 1 až 24 hodin.

Funkce "I" režimu spánku a funkce dětské pojistky:

1. Režim spánku funguje, když je jednotka v režimu chlazení „K“.
2. Stiskněte tlačítko "I" v chladném režimu "K", pak jednotka bude pracovat v režimu spánku a odstředivý ventilátor se automaticky otočí na nízkou rychlost. Nastavená teplota se zvýší o 1 °C po jedné hodině a po 2 hodinách se zvýší o 2.. Po šesti hodinách se jednotka zastaví.
3. Stiskněte a podržte tlačítko dětské pojistky „I“ po dobu tří sekund, aby všechny ostatní funkce nemohly být použity. Opětovným stisknutím na 3 sekundy odemknete funkci dětského zámku, zatímco všechny ostatní funkce budou moci znovu použít.

Provoz v režimu „O“:

Když je zařízení zapnuto, stiskněte tlačítko "O", vertikální žaluzie se zapne nebo vypne. Když je zapnutá, mřížka se může otáčet tam a zpět do 60 stupňů. Opětovným stisknutím tlačítka „O“ žaluzie přestane houpat.

Oznámení:

Hlavní řídicí deska má paměťovou funkci, když je zařízení připraveno k provozu, ale ve stavu zastavení může hlavní řídicí deska zapamatovat inicializaci pracovního režimu. Když zapnete jednotku, bude fungovat stejně jako pracovní režim jako minule, není nutné znovu pracovní režim resetovat. (Tato podmínka není k dispozici, pokud je jednotka v režimu AUTO „J“.)

## DÁLKOVÝ OVLADAČ

1. Posunutím zadního krytu otevřete a sejmete izolační film z baterií.
2. Vložte baterie do slotu, musí odpovídat znakům „+“ a „-“ na dálkovém ovladači.
3. Po delší dobu nepoužívejte baterie.
4. Aby se předešlo znečištění životního prostředí, vyjměte použité baterie a bezpečně zlikvidujte.

Chcete-li zařízení ovládat, nanižte dálkový ovladač (..) na signální receptor. Dálkový ovladač bude zařízení směřovat na signálový receptor zařízení ve vzdálenosti 5 metrů.

## OCHRANNÉ ZAŘÍZENÍ

Ochranné zařízení může vypnout a zastavit spotřebič v níže uvedených případech:

1. v režimu chlazení: teplota vnitřního vzduchu je nad 43 °C (109 °F)
2. v režimu chlazení: pokojová teplota je pod 15 °C (59 °F)
3. v režimu odvlhčování: pokojová teplota je pod 15 °C (59 °F).

Pokud zařízení běží v režimu chlazení „K“ nebo odvlhčující režim „L“ s otevřenými dvířky nebo okny po dlouhou dobu, když je relativní vlhkost nad 80%, může z výtoků kapat voda.

Ochranné zařízení bude fungovat v následujících případech:

1. Restartujte zařízení ihned po zastavení práce nebo změně vybraného režimu během práce, musíte počkat 3 minuty.
2. Pokud byla zástrčka odstraněna, zařízení se po restartování vrátí do původního režimu, TIMER ON a TIMER OFF - musí být znovu nastaveny.

**POZNÁMKA:** V této jednotce je skrytá recyklace kondenzované vody. Kondenzační voda se částečně recykluje mezi kondenzátorem a vodní deskou. Když hladina vody stoupne na horní úroveň, rozsvítí se plovákový spínač a indikátor naplnění vody (E4), což připomíná vypouštění vody. Přerušte napájení, přemístěte spotřebič na vhodné místo, vyjměte vypouštěcí zátku, vypusťte úplně vodu. Po vypouštění znovu nainstalujte zástrčku, jinak může přístroj vytéct a místnost zvlhčit.

Pokud je spotřebič umístěn v poloze umožňující vypouštění vody, můžete také vypouštěcí otvor připojit k



vypouštěcímu portu a vypustit vodu. Do soupravy je přidána odtoková trubka s vnitřním průměrem 9 mm, vnějším průměrem 12 mm, materiál: PVC.

**Odstraňování problémů**

1) Problémy: Nepracuje.

**Analýza:**

a) Možná je vypnuta ochrana pojistky nebo pojistka, počkejte 3 minuty a začněte znovu, ochranné zařízení může bránit v činnosti.

c) možná jsou baterie v dálkovém ovladači vybité.

d) možná není zástrčka správně zapojena.

2) Problémy: funguje pouze na krátkou dobu

**Analýza:**

a) pokud je nastavená teplota blízká pokojové teplotě, můžete ji snížit.

b) je možné, že je výstup vzduchu blokován překážkou. Odstraňte překážku.

3) Problémy: Funguje, ale ne chladí

**Analýza:**

a) možná jsou otevřené dveře nebo okno.

b) možná v těsné blízkosti je další tepelně pracující zařízení, jako je topení nebo lampa atd.

c) vzduchový filtr je znečištěný, vyčistěte jej.

d) výstup nebo přívod vzduchu je blokován.

f) nastavená teplota je příliš vysoká.

4) Problém: Únik vody během pohybu.

**Analýza:**

a) vyprázdňte kondenzát před přemístěním.

b) Abyste zabránili úniku vody, umístěte zařízení na rovnou zem.

5) Problém: Nepracuje a indikátor naplnění vodou „E4“

**Analýza:**

a) vytáhněte gumovou zátku pro vypuštění vody.

b) pokud je často v tomto stavu, obraťte se na kvalifikovaného servisního technika.

**Odstraňování problémů**

6) Problém: Zařízení se nepodařilo spustit.

**Analýza:**

a) možná není připojen. Takže připojte.

b) možná poškození konektoru nebo zásuvky. Nahradiť poskytovatelem služeb.

c) možná rozbitá pojistka. Vyměňte pojistku u poskytovatele služeb (specifikace: 3,15A / 250VAC).

7) Problém: Zařízení se automaticky zastaví.

**Analýza:**

a) vypnutí časování nebo dosažení nastavené teploty. Restartujte jej nebo počkejte na automatické přepnutí.

8) Problémy: žádný studený vzduch v režimu COOL „K“.

**Analýza:**

a) pokojová teplota je nižší než nastavená teplota. Je to normální jev, stroj se automaticky přepne, když je teplota v místnosti vyšší než nastavená teplota.

b) Zařízení vstupuje do ochrany proti mrazu. Po ukončení protimrazové ochrany se zařízení automaticky přepne.

9) Problém: LED zobrazuje kód poruchy "E2"

**Analýza:**

a) selhání nebo poškození čidla pokojové teploty. Vyměňte snímač teploty místnosti od poskytovatele služeb.

10) Problém: LED zobrazuje kód poruchy "E3"

**Analýza:**

a) porucha nebo poškození čidla olejového potrubí výparníku. Vyměňte čidlo potrubí spirály výparníku poskytovatelem servisu.

11) Problém: LED zobrazuje kód poruchy "E4"

**Analýza:**

a) varování plné vody. Vypusťte vodu.

## ČIŠTĚNÍ A ÚDRŽBA

### Údržba zařízení

1. Před odpojením od napájení nejprve vypněte zařízení.
2. Otřete měkkým a suchým hadříkem. Pokud je zařízení velmi špinavé, použijte vlažnou vodu pod 40 ° C.
3. K čištění zařízení nikdy nepoužívejte těkavé látky, jako je benzin nebo leštící prášek.

### Údržba vzduchového filtru

Vzduchový filtr je nutné čistit každé 2 týdny, pokud zařízení pracuje v extrémně prašném prostředí. Vyčistěte takto:

1. Nejprve zastavte zařízení a zatlačte vzduchový filtr (obrázek F).
2. Vyčistěte a znovu nainstalujte vzduchový filtr.
3. Pokud je špina nápadná, omyjte ji roztokem pracího prostředku ve vlažné vodě. Po vyčištění osušte na stínovaném a chladném místě a znovu jej nainstalujte.

### Údržba po použití

1. Pokud se zařízení nebude delší dobu používat, vytáhněte pryžovou zátku horního vypouštěcího otvoru chladiče (8) a pryžovou zátku vypouštěcí otvor chladiče (9) vypouštěcího otvoru, abyste vypustili vodu. .
2. Udržujte spotřebič v chodu s ventilátorem pouze po dobu půl dne během slunečného dne, aby byl přístroj uvnitř suchý a aby nedošlo k plesnivosti.
3. Zastavte zařízení a vytáhněte zástrčku napájecího kabelu, vyjměte baterie dálkového ovladače a zařízení řádně uložte.
4. Vyčistěte vzduchový filtr a znovu jej nainstalujte.
5. Odstraňte vzduchové hadice a řádně je uložte a otvor pevně zakryjte

### TECHNICKÁ DATA:

Chladicí kapacita na BTU: 9000 BTU / hod

Chladicí kapacita ve wattch: 2600

Spotřeba energie (chlazení) W: 950 W

Svazek: <= 65 dB

Průtok vzduchu: 380 m3 / h

Energetická třída: A

Časovač: 24 hodin

Hmotnost chladiva R290: max. 200 gramů



Pozor, nebezpečí požáru.

NEPROPOUŠTĚTE ani nespalujte.

Uvědomte si, že chladivo nemusí obsahovat zápach.

Maximální množství náplně chladiva: 200 g.



Staráme se o životní prostředí. Papírové obaly odevzdávejte do sběrných surovin. Polyetylenová balení (PE) vhadzujte do odpadkových košů na plasty. Použité zařízení odevzdávejte do sběrného dvoru, protože se v něm mohou nacházet části, které jsou pro životní prostředí škodlivé nebo nebezpečné. Elektrospotřebiče odevzdávejte v takové podobě, aby bylo nemožné jejich další použití. Pokud se v zařízení nacházejí baterie, vyjměte je a odevzdejte zvlášť.

## DANSKI

### GENERELLE SIKKERHEDSBETINGELSER

#### VIGTIGE SIKKERHEDSINSTRUKTIONER LÆS PERSONLIG OG SPAR FOR FREMTID

1. Før du bruger enheden, skal du læse betjeningsvejledningen og følge instruktionerne i den. Producenten er ikke ansvarlig for skader forårsaget af brug af enheden i modsætning til dets tilsigtede formål eller forkert betjening.
2. Enheden er kun til hjemmebrug. Brug ikke til andre formål, der ikke er beregnet til dets tilsigtede formål.
3. Enheden skal kun tilsluttes en stikkontakt med et jordet 220 240V ~ 50Hz. For at øge driftssikkerheden skal flere elektriske enheder ikke tilsluttes et strømkredsløb på samme tid.
4. Vær meget forsigtig, når du bruger enheden, når børn er i nærheden. Lad ikke børn lege

med enheden, lad ikke børn eller personer, der ikke kender enheden, bruge den.

5. ADVARSEL: Dette udstyr kan bruges af børn over 8 år og personer med begrænset fysisk, sensorisk eller mental evne, eller personer, der ikke har erfaring eller viden om udstyret, hvis dette sker under opsyn af en ansvarlig person for deres sikkerhed eller har fået dem oplysninger om sikker brug af enheden og er opmærksomme på farerne ved at bruge det.

Børn bør ikke lege med udstyret. Rengøring og vedligeholdelse af enheden bør ikke udføres af børn, medmindre de er over 8 år gamle, og disse aktiviteter udføres under opsyn.

6. Frakobl altid strømstikket ved at holde stikket med hånden efter brug. Træk IKKE i netledningen.

7. Sænk ikke kablet, stikket og hele enheden i vand eller anden væske. Udsæt ikke enheden for atmosfæriske forhold (regn, sol osv.) Eller brug under forhold med høj luftfugtighed (badeværelser, fugtige mobilhomes).

8. Kontroller periodisk strømkablets tilstand. Hvis strømkablet er beskadiget, skal det udskiftes af et specialværksted for at undgå fare.

9. Brug ikke apparatet med et beskadiget strømkabel, eller hvis det er faldet eller beskadiget på anden måde, eller hvis det ikke fungerer korrekt. Reparer ikke enheden selv, da der er risiko for elektrisk stød. Tag den beskadigede enhed til et passende servicecenter for kontrol eller reparation. Alle reparationer må kun udføres af autoriserede servicepunkter. Forkert udførte reparationer kan medføre alvorlig fare for brugeren.

10. Placer enheden på en kølig, stabil overflade væk fra varme køkkenapparater som: elektrisk komfur, gasbrænder osv.

11. Sørg for, at intet blokerer enhedens luftindtag og udløb

12. Brug kun enheden på en plan overflade for at forhindre, at kondensen spilder ud

13. For at yde yderligere beskyttelse tilrådes det at installere en reststrømsenhed (RCD) i det elektriske kredsløb med en nominal reststrøm på ikke over 30 mA. Spørg en elektriker til dette.

14. Rengør luftfilteret regelmæssigt. Rengøringshyppigheden afhænger af luftens renhed.

15. Efter at have slukket for maskinen, skal du vente mindst 5 minutter, før du tænder den igen.

16. Brug ikke enheden solrige steder. Når enheden overophedes, tændes overophedningsbeskyttelsen enheden.

17. For at sikre effektiv afkøling skal der holdes en afstand på mindst 60 cm mellem enhedens sidevægge og væggen eller møbler eller gardiner.

18. På grund af enhedens begrænsede ydeevne, hvis forskellen mellem måltemperaturen og omgivelsestemperaturen er for stor, er måske ikke måltemperaturen nået.

19. For at reducere risikoen for brand, elektrisk stød eller personskade, når du bruger klimaanlægget, skal du følge følgende grundlæggende forholdsregler:

a) Tilslut til et jordet stikkontakt med 3 stifter.

b) Fjern ikke jordforbindelsesstangen.

c) Brug ikke adapteren.

d) Brug ikke en forlængerledning.

e) Frakobl klimaanlægget før service.

f) Brug to eller flere personer til at flytte og installere klimaanlægget.

20. Brug ikke andre midler, der fremskynder afrimnings- eller rengøringsprocessen, bortset fra dem, der er anbefalet af producenten.

21. Enheden skal opbevares i et rum uden konstant drift af antændelseskilder, for eksempel: åben ild, gasapparater eller elektriske opvarmere.

#### FØR FØRSTE BRUG - (billede E)

Tilslut stikkene til luftudstødningskanalen som følger:

1. Forlæng luftudstødningskanalen (10) ved at trække de to ender af kanalen ud.
2. Skru luftudstødningskanalen (10) ind i stikket til luftudstødningskanalen (11).
3. Tilslut stikket på udstødningskanalen (11) til enheden.

#### BEMÆRKNINGER:

1. Hold enheden mindst 1 meter væk fra tv eller radioer for at undgå elektromagnetisk interferens.
  2. Udsæt ikke enheden for direkte sollys for at undgå, at overfladefarven falmer.
  3. Vip ikke enheden i mere end 35 ° eller på hovedet, mens du transporterer. Hvis enheden er vendt under transporten, skal du lægge den korrekt ned og vente 2-4 timer, før du starter den.
  4. Placer enheden på en plan overflade med mindre end 5 ° hældning.
  5. Enheden fungerer mere effektivt i bestemte lokaliteter, vælg den bedste placering:
    - Ved siden af et vindue, en dør eller et fransk vindue.
    - Hold den ønskede afstand fra returluftløbet til væggen eller andre forhindringer mindst 60 cm.
    - Forlæng luftslangen for at sikre, at den anden ende af luftslangen har afstand mellem vinduesdøren eller det franske vindue eller væghullet.
    - Luftudtag eller -indtag kan ikke blokeres af beskyttelsesnet eller nogen hindring.
- For at forlænge enhedens levetid skal du tømme det kondenserede vand fra de øverste (8) og nedre (9) kølerafløbshuller, inden du sætter enheden i opbevaring i slutningen af sæsonen.

#### ENHETSBEKRIVELSE (billeder A og B)

- |   |                               |
|---|-------------------------------|
| 1. Kontrolpanel                         | 2. Kold luftudgang            |
| 3. Signalreceptor                       | 4. Fjernbetjening             |
| 5. Transporthåndtag                     | 6. Udstødningskanal           |
| 7. Fordamperindgang                     | 8. Øvre kølerafløbshul        |
| 9. Nedkøler drænhul                     | 10. Luftudstødningskanal      |
| 11. Tilslutning af luftudstødningskanal | 12. Vinduesudstødningsadapter |

#### KONTROLPANEL (billede C)

- |                                |                               |
|--------------------------------|-------------------------------|
| A. Tænd / sluk-knap ON / OFF   | B. Ventilatorhastighedsknap   |
| C. Mode-knap                   | D. Timer / temperatur-op-knap |
| E. Timer / temperatur ned-knap | F. Lav hastighedsknap         |
| G. Højhastighedsknap           | H. Strømindikator             |
| I. Dvale-knap og børnesikring  | J. Automatisk tilstand        |
| K. Cool tilstand               | L. Affugtningstilstand        |
| M. Ventilatorstilstand         | N. Timerknap                  |
| O. Oscillationsknap            | P... Børnesikring             |

#### FJERNKONTROLLER - billede D

Fjernbetjeningen sender signaler til systemet.

Knap "A" - apparatet startes, når det er tændt eller stoppes, når det er i drift, hvis du trykker på denne knap.

Knap "C" - tryk på den for at vælge betjeningstilstand: "J", "K", "L" eller "M".

Knap "B" - tryk på den for at vælge blæserhastighed i rækkefølge.

Knap "D" / "E" - tryk for at justere stuetemperaturen og timeren.

Knap "I" - tryk for at indstille eller annullere dvalestilstand.

Knap "N" - tryk for at indstille tiden for automatisk slukning og automatisk tændt.

Knap "O" - tryk for at indstille eller annullere svingningstilstand for lameller.

#### BETJENING AF KONTROLPANELET

##### AUTOMATISK / KØL / TØR / FAN

1. Tænd for enheden.

a) Tilslut enheden, og derefter bipper enheden en gang. Strømlampen "H" er tændt.

b) Tryk på knappen "A", så tændes enheden.

c) LED-diode viser stuetemperatur og begynder at arbejde i automatisk tilstand.

## 2. Vælg driftstilstand

Tryk på "C" -knappen for at vælge den ønskede driftstilstand efter rækkefølge:

Automatisk tilstand "J" -> Køletilstand "K" -> Tørringstilstand "L" -> Ventilatorstilstand "M".

## 3. Juster temperaturen

Temperaturen kan indstilles inden for et område mellem 15 og 31 ° C. Tryk på "D" eller "E" -knappen for at øge eller sænke temperaturen med 1 ° C ved at trykke en gang på. Enhedens LED-panel viser måltemperaturen i 5 sekunder og viser derefter stuetemperaturen.

## 4. Juster blæserhastigheden

Tryk på knappen "B" for at vælge den ønskede blæserhastighed, der vises efter rækkefølge:

Lav hastighed "F" -> Høj hastighed "G"

## 5. Strøm

Når du trykker på knappen "A" igen, lyder enheden "di", strømindikatoren "H" slukker og holder op med at arbejde.

6. Tryk på denne knap "I" for at gå ind i enhedens dvaletilstand.

7. Tryk på denne knap "N" for at indstille en tidsindstillet nedlukning.

8. Tryk på denne knap "O" for at indstille luftsvingningsoscillationen opad.

Hvert arbejdsprincip for tilstand:

### AUTO "J" -tilstand:

Når først "J" er valgt, fungerer indetemperaturføleren automatisk, og den vælger en af nedenstående driftsformer:

- Når rumtemperaturen  $\geq 24$  °C vælger enheden automatisk kølig tilstand "K" -tilstand.

eller

- Når rumtemperaturen  $< 24$  °C, vælger enheden automatisk tilstand med høj blæserhastighed "M".

### Affugtning af "L" -tilstand:

1. Den opadgående centrifugalventilator kører med lav hastighed, og hastigheden kan ikke justeres.

2. Kompressoren stopper efter kørsel 8 minutter og kører derefter igen efter 6 minutter.

3. Enheden vedtager konstant temperatur affugtningstilstand, og justeringen af temperaturen er ikke effektiv.

### ADVARSEL:

Ved betjening af enheden under forskellige fugtighedsforhold skal det nedkøler drænhul (9) være konstant åbent og sikre konstant vandafløb.

### COOL "K" -tilstand:

1. Når stuetemperaturen er højere end den indstillede temperatur på kontrolpanelet, begynder kompressoren at køre.

2. Når stuetemperaturen er lavere end den indstillede temperatur på kontrolpanelet, fungerer kompressorstoppet og den øverste ventilator med den oprindelige indstillede hastighed.

Ventilator "M..." -tilstand.

1. Den opadgående centrifugalventilator kører med den indstillede hastighed, og kompressoren kører ikke.

2. Justering af temperatur er ikke effektiv.

### Timerdrift "N":

1. Tryk på "N" -knappen for at indstille automatisk slukketid, mens enheden kører.

2. Tryk på "N" -knappen for at indstille automatisk tændtid, mens enheden er klar.

3. Tiden kan justeres inden for et område fra 1 time til 24 timer ved at trykke på knappen "D" ( + ) eller "E" ( - ) .

### Dvaletilstand "I" -funktion & børnesikringsfunktion:

1. Dvaletilstanden fungerer, når enheden er under afkøling af "K" -tilstand.

2. Tryk på knappen "I" i kølig tilstand "K", så fungerer enheden i dvaletilstand, og den opadgående

centrifugalventilator skifter automatisk til lav hastighed. Den indstillede temperatur stiger med 1 °C efter en time og stiger 2 °C efter to timer. Efter seks timer holder enheden op med at køre.

3. Tryk på børnesikringsknappen "I" i tre sekunder for at gøre, at alle de andre funktioner ikke er i stand til at bruge. Tryk igen i 3 sekunder for at låse op for barnesikringsfunktionen, mens alle de andre funktioner igen kan bruges igen.

Sving "O" -tilstand:

Når enheden er tændt, skal du trykke på knappen "O", den lodrette gitter tændes eller slukkes. Når den er tændt, kan løftebåndet svinge frem og tilbage inden for 60 grader. Tryk på knappen "O" igen, løfterullen stopper med at svinge.

Varsel:

Hovedkontrolpladen har hukommelsesfunktion, når enheden er klar til at køre, men i stop-status, kan hovedkontrolpladen huske initialiseringen af arbejdstilstand. Når du tænder for enheden, fungerer den som den samme virkning af arbejdstilstand som sidste gang, ikke nødvendigt at nulstille arbejdstilstanden igen. (Denne betingelse er ikke tilgængelig, når enheden er i AUTO-tilstand "J".)

## FJERNBETJENING

1. Skub bagdækslet for at åbne og tage isoleringsfilmen på batterierne.
2. Sæt batterierne inde i åbningen, skal svare til tegnene "+" og "-" på fjernbetjeningen.
3. Tag batterierne ud i lang tid.
4. For at forhindre miljøforurening skal du tage de brugte batterier ud og bortskaffe sikkerheden og på passende måde.

Ret fjernbetjeningen (..) for at betjene enheden mod signalreceptoren. Fjernbetjeningen betjener enheden i afstand 5 meter, når den peger på enhedens signalreceptor.

## BESKYTTELSESANORDNINGER

Beskyttelsesenheden kan trække og stoppe apparatet i de tilfælde, der er anført nedenfor:

1. ved køletilstand: indendørslufttemperatur er over 43 ° C (109 ° F)
2. ved køletilstand: stuetemperatur er under 15 ° C (59 ° F)
3. ved affugtningstilstand: stuetemperatur er under 15 ° C (59 ° F).

Hvis enheden kører i "K" -afkøling eller affugter "L" -tilstand med dør eller vindue åbnet i lang tid, når relativ fugtighed er over 80%, kan dugg dryppe ned fra stikkontakten.

Beskyttelsesordeningen fungerer i følgende tilfælde:

1. Genstart enheden straks efter at have stoppet arbejdet eller ændret den valgte tilstand, mens du arbejder, skal du vente 3 minutter.
2. Hvis stikket er fjernet, vender enheden tilbage til den originale tilstand efter genstart, TIMER ON og TIMER OFF - skal indstilles igen.

**BEMÆRK:** der er gemt genbrug af kondensvand inde i denne enhed. Kondensvandet opbevares delvis genanvendelse mellem kondensatoren og vandpladen. Når vandstanden stiger til det øverste niveau, lyser svømmeromskifteren og den fulde vandindikator (E4) for at minde om dræning af vand. Afbryd strømforsyningen, flyt apparatet til et passende sted, fjern drænproppen, tøm vand helt. Efter afløbet skal du installere stikket igen, ellers kan apparatet lække og gøre dit værelse vådt.

Hvis apparatet er placeret i en position, hvor der tømmes drænvand, kan du også forbinde drænhullet til drænåbningen for at dræne vandet. Afløbsrør tilføjes til kittet med indvendig diameter 9 mm, udvendig diameter 12 mm, materiale: PVC.

Fejlfinding

1) Problem: Arbejd ikke.

Analyse:

a) måske beskyttelsesudløbet eller sikringen er blæst, vent venligst i 3 minutter og start igen, beskyttelsesenheden forhindrer muligvis enheden i at arbejde.

c) Måske er batterier i fjernbetjeningen opbrugt.

d) Måske er stikket ikke tilsluttet korrekt.

2) Problem: fungerer kun i kort tid

Analyse:

a) hvis den indstillede temperatur er tæt på stuetemperatur, kan du sænke den indstillede temperatur.

b) måske er luftudløbet blokeret af forhindring. Tag forhindringen væk.

3) Problem: Arbejder, men ikke køler

Analyse:

a) måske er dør eller vindue åben.

b) måske i tæt afstand er der et andet apparat, som fungerer som varme eller lampe osv.

c) luftfilteret er beskidt, rengør det venligst.

d) luftudgang eller -indtag er blokeret.

f) den indstillede temperatur er for høj.

4) Problem: Vandlækage under bevægelse.

Analyse:

a) tøm kondensatet før flytning.

b) For at undgå lækage af vand, skal du placere enheden på fladt underlag.

5) Problem: Arbejd ikke, og vandindikatoren "E4" vandes

Analyse:

a) træk gummiproppen ud for at dræne vandet.

b) Hvis det ofte er i denne tilstand, skal du kontakte kvalificeret servicetekniker.

Fejlfinding

6) Problem: Enheden mislykkes ved opstart.

Analyse:

a) måske ikke tilsluttet. Så tilslut det.

b) måske skader på stik eller stik. Udskift af tjenesteudbyderen.

c) måske sikring brudt. Udskift sikringen af tjenesteudbyderen (specifikation: 3,15A / 250VAC).

7) Problem: Enheden stopper automatisk.

Analyse:

a) timing lukket eller indstillet temperatur nået. Genstart det, eller vent til auto-switch.

8) Problem: ingen kold luft i COOL "K" -tilstand.

Analyse:

a) stuetemperatur er lavere end den indstillede temperatur. Det er et normalt fænomen, maskinen skifter automatisk, mens stuetemperaturen er højere end den indstillede temperatur.

b) Enheden indgår i frostbeskyttelse. Enheden skifter automatisk, når frostbeskyttelsen er ovre.

9) Problem: LED viser fejlkode "E2"

Analyse:

a) føler ved stuetemperatur svigter eller beskadiger. Udskift rumtemperaturføleren af tjenesteudbyderen.

10) Problem: LED viser fejlkode "E3"

Analyse:

a) fordampersensoren svigter eller er beskadiget. Udskift fordampersensoren af tjenesteudbyderen.

11) Problem: LED viser fejlkode "E4"

Analyse:

a) fuld vandadvarsel. Tøm vandet ud.

## RENGØRING OG VEDLIGEHOLDELSE

### Enhedsvedligeholdelse

1. Sluk først for enheden, før du kobler fra strømforsyningen.

2. Aftør med en blød og tør klud. Brug lunkent vand under 40 ° C til at rengøre, hvis apparatet er meget snavset.

3. Brug aldrig flygtigt stof som benzin eller poleringspulver til at rengøre enheden.

## Luftfiltervedligeholdelse

Det er nødvendigt at rengøre luftfilteret hver anden uge, hvis enheden fungerer i et ekstremt støvet miljø. Rengør som følger:

1. Stop enheden først, skub luftfilteret op (billede F).
2. Rengør og geninstaller luftfilteret.
3. Hvis snavs er synlig, vask den med en opløsning af vaskemiddel i lunkent vand. Efter rengøring tørres det på et skraveret og køligt sted, og installer det derefter igen.

## Vedligeholdelse efter brug

1. Hvis enheden ikke bruger længere tid, skal du sørge for at trække gummipropen i det øverste kølerafløbs hul (8) og gummipropens nedkølerens drænhul (9) ud i dræporten for at dræne vandet .
2. Lad apparatet kun køre med blæser i en halv dag i løbet af en solskinsdag for at tørre apparatet inde og forhindre at blive mættet.
3. Stop enheden, og træk netledningen ud, tag derefter fjernbetjeningens batterier ud og opbevar enheden korrekt.
4. Rengør luftfilteret, og geninstaller det igen.
5. Fjern luftslangerne, og opbevar dem korrekt, og dæk hullet tæt.

## TEKNISK DATA:

Kølekapacitet ved BTU: 9000 BTU / time

Kølekapacitet i watt: 2600

Energiforbrug (afkøling) W: 950 W

Volumen: <= 65 dB

Luftstrøm: 380 m<sup>3</sup> / h

Energiklasse: A

Timer: 24 timer

Vægt på kølevæske R290: maks. 200 gram



Forsigtig, risiko for brand.

Må IKKE gennembore eller brænde.

Vær opmærksom på, at kølemediet muligvis ikke indeholder en lugt.

Den maksimale mængde kuldemedie: 200 g.



Af hensyn til miljøet ..

Venligst overfør papemballage til affaldspapir. Hæld polyethylenposer (PE) i plastbeholderen Slidt enhed skal returneres til det relevante punkt opbevaring, fordi det er farligt i enheden ingredienser kan udgøre en trussel for miljøet. Den elektriske enhed skal overleveres for at begrænse dets genanvendelse og brug. Hvis i enheden der er batterier, fjern dem og vende tilbage til punktet opbevares separat.

## ΕΛΛΑΔΑ

### ΓΕΝΙΚΕΣ ΠΡΟΫΠΟΘΕΣΕΙΣ ΑΣΦΑΛΕΙΑΣ

### ΣΗΜΑΝΤΙΚΕΣ ΟΔΗΓΙΕΣ ΑΣΦΑΛΕΙΑΣ ΔΙΑΒΑΣΤΕ ΠΡΟΣΕΚΤΙΚΑ ΚΑΙ ΦΥΛΑΞΤΕ ΓΙΑ ΜΕΛΛΟΝ

1. Πριν χρησιμοποιήσετε τη συσκευή, διαβάστε το εγχειρίδιο λειτουργίας και ακολουθήστε τις οδηγίες που περιέχει. Ο κατασκευαστής δεν ευθύνεται για ζημιές που προκλήθηκαν από τη χρήση της συσκευής σε αντίθεση με τον προορισμό ή την ακατάλληλη λειτουργία.
2. Η συσκευή προορίζεται μόνο για οικιακή χρήση. Μην χρησιμοποιείτε για άλλους σκοπούς που δεν είναι για τον προορισμό τους.
3. Η συσκευή πρέπει να συνδέεται μόνο σε πρίζα εναλλασσόμενου ρεύματος με γειωμένο 220 240V ~ 50Hz. Για να αυξήσετε την ασφάλεια λειτουργίας, πολλές ηλεκτρικές συσκευές δεν πρέπει να συνδέονται ταυτόχρονα σε ένα κύκλωμα ρεύματος.
4. Να είστε ιδιαίτερα προσεκτικοί όταν χρησιμοποιείτε τη συσκευή όταν τα παιδιά βρίσκονται κοντά. Μην επιτρέπετε στα παιδιά να παίζουν με τη συσκευή, μην επιτρέπετε σε παιδιά ή άτομα που δεν είναι εξοικειωμένα με τη συσκευή να τα χρησιμοποιούν.



5. ΠΡΟΕΙΔΟΠΟΙΗΣΗ: Αυτός ο εξοπλισμός μπορεί να χρησιμοποιηθεί από παιδιά ηλικίας άνω των 8 ετών και άτομα με περιορισμένη σωματική, αισθητηριακή ή νοητική ικανότητα ή άτομα που δεν έχουν εμπειρία ή γνώση του εξοπλισμού, εάν αυτό γίνεται υπό την επίβλεψη υπεύθυνου προσώπου για την ασφάλειά τους ή έχουν λάβει πληροφορίες για την ασφαλή χρήση της συσκευής και γνωρίζουν τους κινδύνους από τη χρήση της. Τα παιδιά δεν πρέπει να παίζουν με τον εξοπλισμό. Ο καθαρισμός και η συντήρηση της συσκευής δεν πρέπει να εκτελούνται από παιδιά, εκτός αν είναι άνω των 8 ετών και οι δραστηριότητες αυτές εκτελούνται υπό επίβλεψη.
6. Πάντοτε αποσυνδέετε το φις από την πρίζα κρατώντας την υποδοχή με το χέρι σας μετά τη χρήση. ΜΗΝ τραβάτε το καλώδιο τροφοδοσίας.
7. Μη βυθίζετε το καλώδιο, το βύσμα και ολόκληρη τη συσκευή σε νερό ή άλλο υγρό. Μην εκθέτετε τη συσκευή σε ατμοσφαιρικές συνθήκες (βροχή, ήλιο, κ.λπ.) ή σε συνθήκες υψηλής υγρασίας (μπάνια, υγροί κινητοί οικισμοί).
8. Ελέγχετε περιοδικά την κατάσταση του καλωδίου τροφοδοσίας. Εάν το καλώδιο τροφοδοσίας είναι κατεστραμμένο, πρέπει να αντικατασταθεί από ειδικό κατάστημα επισκευής για να αποφευχθεί ο κίνδυνος.
9. Μην χρησιμοποιείτε τη συσκευή με φθαρμένο καλώδιο τροφοδοσίας ή εάν έχει πέσει ή έχει υποστεί ζημιά με οποιονδήποτε άλλο τρόπο ή εάν δεν λειτουργεί σωστά. Μην επισκευάζετε τη συσκευή σας μόνοι σας, καθώς υπάρχει κίνδυνος ηλεκτροπληξίας. Πάρτε την κατεστραμμένη συσκευή σε κατάλληλο κέντρο σέρβις για έλεγχο ή επισκευή. Όλες οι επισκευές πρέπει να εκτελούνται μόνο από εξουσιοδοτημένα σημεία εξυπηρέτησης. Οι εσφαλμένες επισκευές μπορούν να προκαλέσουν σοβαρό κίνδυνο για τον χρήστη.
10. Τοποθετήστε τη συσκευή σε δροσερή, σταθερή επιφάνεια, μακριά από θερμές συσκευές κουζίνας όπως: ηλεκτρική κουζίνα, καυστήρα αερίου κλπ.
11. Βεβαιωθείτε ότι τίποτα δεν εμποδίζει την είσοδο και την έξοδο αέρα της συσκευής
12. Χρησιμοποιείτε τη συσκευή μόνο σε επίπεδη επιφάνεια για να αποφύγετε τη διαρροή της συμπύκνωσης
13. Για την παροχή πρόσθετης προστασίας, συνιστάται η τοποθέτηση συσκευής υπολειπόμενου ρεύματος (RCD) στο ηλεκτρικό κύκλωμα με ονομαστικό υπολειπόμενο ρεύμα που δεν υπερβαίνει τα 30mA. Ρωτήστε έναν ηλεκτρολόγο για αυτό.
14. Καθαρίζετε τακτικά το φίλτρο αέρα. Η συχνότητα καθαρισμού εξαρτάται από την καθαριότητα του αέρα.
15. Αφού απενεργοποιήσετε τη συσκευή, περιμένετε τουλάχιστον 5 λεπτά πριν ενεργοποιήσετε ξανά.
16. Μην χρησιμοποιείτε τη συσκευή σε ηλιόλουστες περιοχές. Όταν η συσκευή υπερθερμανθεί, η προστασία υπερθέρμανσης θα ενεργοποιήσει τη συσκευή.
17. Για να εξασφαλιστεί αποτελεσματική ψύξη, πρέπει να διατηρείται απόσταση τουλάχιστον 60 cm μεταξύ των πλευρικών τοιχωμάτων της συσκευής και του τοίχου ή των επίπλων ή κουρτινών.
18. Λόγω της περιορισμένης απόδοσης της συσκευής, εάν η διαφορά μεταξύ της θερμοκρασίας στόχου και της θερμοκρασίας περιβάλλοντος είναι πολύ μεγάλη, η θερμοκρασία στόχος ενδέχεται να μην είναι εφικτή.

19. Για να μειώσετε τον κίνδυνο πυρκαγιάς, ηλεκτροπληξίας ή τραυματισμού κατά τη χρήση του κλιματιστικού, ακολουθήστε τις ακόλουθες βασικές προφυλάξεις:

α) Συνδέστε σε μια γειωμένη πρίζα με 3 ακίδες.

β) Μην αφαιρείτε το πέλμα γείωσης.

γ) Μην χρησιμοποιείτε τον προσαρμογέα.

δ) Μην χρησιμοποιείτε καλώδιο προέκτασης.

ε) Αποσυνδέστε το κλιματιστικό πριν από τη συντήρηση.

στ) Χρησιμοποιήστε δύο ή περισσότερα άτομα για να μετακινήσετε και να εγκαταστήσετε το κλιματιστικό.

20. Μην χρησιμοποιείτε παράγοντες που επιταχύνουν τη διαδικασία απόψυξης ή καθαρισμού εκτός από εκείνες που συνιστώνται από τον κατασκευαστή.

21. Η συσκευή πρέπει να αποθηκεύεται σε ένα δωμάτιο χωρίς συνεχή λειτουργία ανάφλεξης, για παράδειγμα: ανοικτή φωτιά, συσκευές αερίου ή ηλεκτρικοί θερμαντήρες.

ΠΡΙΝ ΤΗΝ ΠΡΩΤΗ ΧΡΗΣΗ - (εικόνα Ε)

Συνδέστε τους συνδέσμους στον αγωγό εξαγωγής αέρα ως εξής:

1. Επεκτείνετε τον αγωγό εξαγωγής αέρα (10) τραβώντας τα δύο άκρα του αγωγού.
2. Βιδώστε τον αγωγό εξαγωγής αέρα (10) στον σύνδεσμο του αγωγού εξαγωγής αέρα (11).
3. Συνδέστε τη φίσα του αγωγού εξαγωγής αέρα (11) στη συσκευή.

ΠΑΡΑΤΗΡΗΣΕΙΣ:

1. Κρατάτε τη συσκευή τουλάχιστον 1 μέτρο μακριά από την τηλεόραση ή τα ραδιόφωνα για να αποφύγετε τις ηλεκτρομαγνητικές παρεμβολές.
  2. Μην εκθέτετε τη συσκευή σε άμεση ηλιακή ακτινοβολία για να αποφύγετε το ξεθώριασμα της επιφάνειας.
  3. Μην περιστρέφετε τη μονάδα περισσότερο από 35 ° ή ανάποδα κατά τη μεταφορά. Εάν η συσκευή έχει γυριστεί κατά τη διάρκεια της μεταφοράς, τοποθετήστε την σωστά και περιμένετε 2-4 ώρες πριν την εκκίνηση.
  4. Τοποθετήστε τη μονάδα σε επίπεδη επιφάνεια με κλίση μικρότερη από 5 °.
  5. Η μονάδα λειτουργεί πιο αποτελεσματικά σε ορισμένες θέσεις δωματίων, επιλέξτε την καλύτερη θέση:
    - Μέσα από ένα παράθυρο, μια πόρτα ή ένα γαλλικό παράθυρο.
    - Διατηρείτε την απαιτούμενη απόσταση από την έξοδο αέρα επιστροφής στον τοίχο ή άλλα εμπόδια τουλάχιστον 60 cm.
    - Επεκτείνετε τον εύκαμπτο σωλήνα για να βεβαιωθείτε ότι το άλλο άκρο του εύκαμπτου σωλήνα αέρα έχει απόσταση μεταξύ της πόρτας του παραθύρου ή του γαλλικού παραθύρου ή της οπής στο τοίχωμα.
    - Η έξοδος ή η εισαγωγή αέρα δεν μπορεί να μπλοκαριστεί από προστατευτικό πλέγμα ή οποιοδήποτε εμπόδιο.
- Για να παρατείνετε τη διάρκεια ζωής της μονάδας, αποστραγγίστε το συμπυκνωμένο νερό από τις οπές αποστράγγισης του άνω (8) και κάτω (9) ψυγείου πριν τοποθετήσετε τη μονάδα στο τέλος της σεζόν.

ΠΕΡΙΓΡΑΦΗ ΣΥΣΚΕΥΗΣ (εικόνες Α και Β)

- |  |   |
|--|---|
| 1. Πίνακας ελέγχου                             | 2. Έξοδος ψυχρού αέρα                                 |
| 3. Υποδοχή σήματος                             | 4. Τηλεχειριστήριο                                    |
| 5. Λαβή μεταφοράς                              | 6. Αγωγός εξαγωγής                                    |
| 7. Είσοδος εξατμιστή                           | 8. Ανοίξτε την οπή αποστράγγισης του ανώτερου ψυγείου |
| 9. Αφαιρέστε την οπή αποστράγγισης του ψυγείου | 10. Ο αγωγός εξαγωγής αέρα                            |
| 11. Σύνδεσμος αγωγού εξαγωγής αέρα             | 12. Προσαρμογέας εξαγωγής παραθύρου                   |

ΠΙΝΑΚΑΣ ΕΛΕΓΧΟΥ (εικόνα C)

- |   |                                     |
|---|-------------------------------------|
| A. Κουμπί ενεργοποίησης / απενεργοποίησης               | B. Κουμπί ταχύτητας ανεμιστήρα      |
| C. Κουμπί λειτουργίας                                   | D. Πλήκτρο χρονισμού / θερμοκρασίας |
| E. Κουμπί χρονοδιακόπτη / θερμοκρασία κάτω              | F. Κουμπί χαμηλής ταχύτητας         |
| G. Κουμπί υψηλής ταχύτητας                              | H. Ενδειξη λειτουργίας              |
| I. Κουμπί αναστολής λειτουργίας και κλειδώματος παιδιών | J. Αυτόματα λειτουργία              |
| K. Λειτουργία ψύξης                                     | L. Λειτουργία αφυγραντήρα           |
| M. Λειτουργία ανεμιστήρα                                | N. Κουμπί χρονοδιακόπτη             |
| O. Κουμπί ταλάντωσης                                    | P. Κλειδαριά παιδιού                |

ΤΗΛΕΧΕΙΡΙΣΤΗΡΙΟ - εικόνα Δ

Το τηλεχειριστήριο μεταδίδει σήματα στο σύστημα.

Κουμπί "Α" - η συσκευή θα εκκινήσει όταν είναι ενεργοποιημένη ή θα σταματήσει όταν είναι σε λειτουργία, αν πατήσετε αυτό το κουμπί.  
Κουμπί "C" - πιάστε το για να επιλέξετε τον τρόπο λειτουργίας: "J", "K", "L" ή "M".  
Κουμπί "B" - πιάστε το για να επιλέξετε την ταχύτητα του ανεμιστήρα στη σειρά.  
Κουμπί "D" / "E" - πατήστε για να ρυθμίσετε τη θερμοκρασία χώρου και το χρονοδιακόπτη.  
Πλήκτρο "I" - πατήστε για να ρυθμίσετε ή να ακυρώσετε τη λειτουργία αναμονής.  
Κουμπί "N" - πατήστε για να ρυθμίσετε την ώρα αυτόματης απενεργοποίησης και αυτόματης ενεργοποίησης.  
Πλήκτρο "O" - πατήστε για να ρυθμίσετε ή να ακυρώσετε την λειτουργία περιστροφής.

## ΛΕΙΤΟΥΡΓΙΑ ΤΗΣ ΠΙΝΑΚΑΣ ΕΛΕΓΧΟΥ ΑΥΤΟΜΑΤΗ / ΨΥΞΗ / ΞΗΡΑ / ΑΝΟΞΕΙΔΩΤΗ

1. Ενεργοποιήστε τη συσκευή.

- α) Συνδέστε τη συσκευή και, στη συνέχεια, η συσκευή εκπέμπει ένα ηχητικό σήμα μία φορά. Η λυχνία τροφοδοσίας "H" είναι αναμμένη.  
β) Πιάστε το πλήκτρο "A" και στη συνέχεια η συσκευή θα ενεργοποιηθεί.  
γ) Η δίοδος LED εμφανίζει τη θερμοκρασία δωματίου και αρχίζει να λειτουργεί σε αυτόματο τρόπο λειτουργίας.

2. Επιλέξτε τον τρόπο λειτουργίας

Πατήστε το κουμπί "C" για να επιλέξετε τον επιθυμητό τρόπο λειτουργίας κατά σειρά:

Αυτόματη λειτουργία "J" -> Λειτουργία ψύξης "K" -> Λειτουργία ξήρανσης "L" -> Λειτουργία ανεμιστήρα "M".

3. Ρυθμίστε τη θερμοκρασία

Η θερμοκρασία μπορεί να ρυθμιστεί σε εύρος 15 ° -31 ° C. Πατήστε το πλήκτρο "D" ή "E" για να αυξήσετε ή να μειώσετε τη θερμοκρασία κατά 1 ° C πατώντας μία φορά. Ο πίνακας LED της συσκευής εμφανίζει τη θερμοκρασία προορισμού για 5 δευτερόλεπτα και στη συνέχεια εμφανίζει τη θερμοκρασία χώρου.

4. Προσαρμόστε την ταχύτητα του ανεμιστήρα

Πατήστε το πλήκτρο "B" για να επιλέξετε την επιθυμητή ταχύτητα του ανεμιστήρα που εμφανίζεται κατά σειρά:

Χαμηλή ταχύτητα "F" -> Υψηλή ταχύτητα G

5. Τροφοδοσία

Όταν πατήσετε ξανά το κουμπί "A", η συσκευή θα ακούγεται "di", η ενδεικτική λυχνία λειτουργίας "H" σβήνει και θα σταματήσει να λειτουργεί.

6. Πατήστε αυτό το κουμπί "I" για να μπειτε στην κατάσταση αναστολής της συσκευής.

7. Πατήστε αυτό το κουμπί "N" για να ορίσετε μια χρονική διακοπή λειτουργίας.

8. Πατήστε αυτό το πλήκτρο "O" για να ρυθμίσετε την ταλάντωση του swing αέρα προς τα κάτω.

Κάθε αρχή λειτουργίας λειτουργίας:

Λειτουργία ΑΥΤΟ "J":

Μόλις επιλεγεί η λειτουργία "J", ο αισθητήρας εσωτερικής θερμοκρασίας λειτουργεί αυτόματα και επιλέγει έναν από τους παρακάτω τρόπους λειτουργίας:

- Όταν η θερμοκρασία δωματίου  $\geq 24$  , η μονάδα θα επιλέξει αυτόματα την λειτουργία "K".

ή

- Όταν η θερμοκρασία δωματίου  $< 24$  , η μονάδα θα επιλέξει αυτόματα υψηλή ταχύτητα ανεμιστήρα "M".

Αφαίρεση λειτουργίας "L":

1. Ο ανεμιστήρας φυγοκεντρικού ανεμιστήρα θα λειτουργεί με χαμηλή ταχύτητα και η ταχύτητα δεν μπορεί να ρυθμιστεί.
2. Ο συμπιεστής θα σταματήσει μετά από 8 λεπτά λειτουργίας και στη συνέχεια θα τρέξει ξανά μετά από 6 λεπτά.
3. Η συσκευή υιοθετεί σταθερή λειτουργία αφύγρανσης θερμοκρασίας και η ρύθμιση της θερμοκρασίας δεν είναι αποτελεσματική.

ΠΡΟΕΙΔΟΠΟΙΗΣΗ:

Κατά τη λειτουργία της συσκευής σε συνθήκες μεταβαλλόμενης υγρασίας, η κάτω οπή αποστράγγισης του ψυγείου (9) θα πρέπει να είναι συνεχώς ανοιχτή και να εξασφαλίζει συνεχή αποστράγγιση του νερού.

Λειτουργία COOL "K":

1. Όταν η θερμοκρασία χώρου είναι υψηλότερη από τη ρυθμισμένη θερμοκρασία στον πίνακα ελέγχου, ο συμπιεστής αρχίζει να λειτουργεί.
2. Όταν η θερμοκρασία χώρου είναι χαμηλότερη από την καθορισμένη θερμοκρασία στον πίνακα ελέγχου, η στάση του συμπιεστή και ο ανώτερος ανεμιστήρας λειτουργούν με την αρχική ρυθμισμένη ταχύτητα.

Λειτουργία ανεμιστήρα "M.":

1. Ο ανώτερος φυγοκεντρικός ανεμιστήρας λειτουργεί σε καθορισμένη ταχύτητα και ο συμπιεστής δεν λειτουργεί.
2. Η ρύθμιση της θερμοκρασίας δεν είναι αποτελεσματική.

Λειτουργία χρονοδιακόπτη "N":

1. Πιέστε το πλήκτρο "N" για να ρυθμίσετε το Χρόνο αυτόματης απενεργοποίησης ενώ η μονάδα είναι σε λειτουργία.
2. Πιέστε το πλήκτρο "N" για να ρυθμίσετε την Αυτόματη ενεργοποίηση ενώ η μονάδα είναι έτοιμη.
3. Ο χρόνος μπορεί να ρυθμιστεί εντός μιας ώρας έως 24 ωρών πατώντας το πλήκτρο "D" (+) ή "E" (-).

Λειτουργία αναστολής λειτουργίας "I" και λειτουργία κλειδώματος για παιδιά:

1. Οι λειτουργίες κατάστασης αναστολής λειτουργίας όταν η μονάδα βρίσκεται σε λειτουργία ψύξης "K".
2. Πιέστε το πλήκτρο "I" στη λειτουργία "K", τότε η μονάδα θα λειτουργήσει σε λειτουργία αναμονής και ο ανεμιστήρας φυγοκεντρικού ανεμιστήρα θα γυρίσει αυτόματα σε χαμηλή ταχύτητα. Η ρυθμισμένη θερμοκρασία θα αυξηθεί κατά 1 μετά από μία ώρα και θα αυξηθεί σε 2 μετά από δύο ώρες. Μετά από έξι ώρες, η μονάδα θα σταματήσει να λειτουργεί.
3. Πατήστε το κουμπί κλειδώματος παιδιού "I" για τρία δευτερόλεπτα για να μην μπορείτε να χρησιμοποιήσετε όλες τις άλλες λειτουργίες. Πατήστε ξανά για 3 δευτερόλεπτα για να ξεκλειδώσετε τη λειτουργία κλειδώματος για παιδιά, ενώ όλες οι άλλες λειτουργίες θα μπορούν να ξαναχρησιμοποιηθούν.

Λειτουργία λειτουργίας λειτουργίας "Swing":

Όταν η συσκευή είναι ενεργοποιημένη, πατήστε το πλήκτρο "O", η κάθετη περσίδα ενεργοποιείται ή απενεργοποιείται. Όταν είναι ενεργοποιημένη, η περσίδα μπορεί να περιστρέφεται μπρος-πίσω κατά 60 μοίρες. Πιέστε ξανά το πλήκτρο "O", η περσίδα θα σταματήσει να αιωρείται.

Ειδοποίηση:

Ο κύριος πίνακας ελέγχου διαθέτει λειτουργία μνήμης, όταν η συσκευή είναι έτοιμη να λειτουργεί αλλά σε κατάσταση διακοπής, ο κύριος πίνακας ελέγχου μπορεί να απομνημονεύσει την αρχικοποίηση του τρόπου λειτουργίας. Όταν ενεργοποιείτε τη μονάδα, θα λειτουργήσει ως η ίδια ρύθμιση της λειτουργίας ως τελευταία φορά, δεν χρειάζεται να επαναφέρετε τη λειτουργία λειτουργίας ξανά. (Αυτή η συνθήκη δεν είναι διαθέσιμη όταν η μονάδα βρίσκεται σε λειτουργία AUTO "J".)

ΤΗΛΕΧΕΙΡΙΣΤΗΡΙΟ

1. Σύρετε το πίσω κάλυμμα για να ανοίξετε και αφαιρέστε το φιλμ απομόνωσης των μπαταριών.
2. Τοποθετήστε τις μπαταρίες μέσα στην υποδοχή, πρέπει να αντιστοιχεί στις ενδείξεις "+" και "-" στο τηλεχειριστήριο.
3. Για μεγάλο χρονικό διάστημα χωρίς χρήση, βγάλτε τις μπαταρίες.
4. Για να αποφύγετε τη ρύπανση του περιβάλλοντος, βγάλτε τις χρησιμοποιημένες μπαταρίες και απορρίψτε την ασφάλεια και κατάλληλα. Για να λειτουργήσετε τη συσκευή, στοχεύστε το τηλεχειριστήριο (..) στον δέκτη σήματος. Το τηλεχειριστήριο θα λειτουργήσει τη συσκευή σε απόσταση 5 μέτρων όταν δείχνει τον δέκτη σήματος της συσκευής.

ΣΥΣΚΕΥΕΣ ΠΡΟΣΤΑΣΙΑΣ

Η προστατευτική συσκευή μπορεί να σβήσει και να σταματήσει τη συσκευή στις παρακάτω περιπτώσεις:

1. Κατά τη λειτουργία ψύξης: η θερμοκρασία του εσωτερικού αέρα είναι πάνω από 43 ° C (109 ° F)
  2. Κατά τη λειτουργία ψύξης: η θερμοκρασία δωματίου είναι κάτω από τους 15 ° C (59 ° F)
  3. σε τρόπο λειτουργίας αφύγρανσης: η θερμοκρασία δωματίου είναι κάτω από τους 15 ° C (59 ° F).
- Εάν η συσκευή λειτουργεί σε κατάσταση ψύξης "K" ή αφυγρανθεί η λειτουργία "L" με ανοιχτή πόρτα ή παράθυρο για μεγάλο χρονικό διάστημα όταν η σχετική υγρασία είναι πάνω από 80%, η ροή μπορεί να στάξει από την πρίζα.

Η προστατευτική συσκευή θα λειτουργήσει στις ακόλουθες περιπτώσεις:

1. Επανεκκίνηση της συσκευής αμέσως μετά τη διακοπή της εργασίας ή την αλλαγή της επιλεγμένης λειτουργίας κατά την εργασία, πρέπει να περιμένετε 3 λεπτά.
2. Εάν το βύσμα έχει αφαιρεθεί, μετά την επανεκκίνηση της συσκευής θα επιστρέψει στην αρχική λειτουργία, TIMER ON και TIMER OFF - πρέπει να ρυθμιστεί ξανά.

ΠΑΡΑΤΗΡΗΣΗ: υπάρχει ανακυκλωμένο νερό συμπύκνωσης κρυμμένο μέσα σε αυτή τη μονάδα. Το νερό συμπύκνωσης διατηρείται εν μέρει ανακυκλώνοντας μεταξύ του συμπυκνωτή και της πλάκας νερού. Όταν η στάθμη του νερού ανεβαίνει στο ανώτερο επίπεδο, ο δείκτης πλωτήρα και ένδειξη πλήρωσης νερού (E4) ανάβει για να υπενθυμίσει την αποστράγγιση του νερού. Σβήστε τον τροφοδοτικό, μετακινήστε τη συσκευή σε κατάλληλο μέρος, αφαιρέστε το βύσμα αποστράγγισης, αποστραγγίστε το νερό εντελώς. Μετά την αποστράγγιση, τοποθετήστε ξανά το βύσμα ή η συσκευή μπορεί να διαρρεύσει και να κάνει το δωμάτιό σας υγρό.

Εάν η συσκευή είναι τοποθετημένη σε θέση που δέχεται νερό αποστράγγισης, μπορείτε επίσης να συνδέσετε την οπή αποστράγγισης στη θύρα αποστράγγισης για να αποστραγγίσετε το νερό. Προστίθεται σωλήνας αποστράγγισης στο κιτ, με εσωτερική διάμετρο 9mm, εξωτερική διάμετρο 12mm, υλικό: PVC.

## Αντιμετώπιση προβλημάτων

1) Προβλήματα: Μην εργάζεστε.

Ανάλυση:

α) Μπορεί να εκτοξευθεί το προστατευτικό ταξίδι ή η ασφάλεια, παρακαλώ περιμένετε για 3 λεπτά και ξεκινήστε πάλι, η συσκευή προστασίας μπορεί να αποτρέψει τη λειτουργία της συσκευής.

γ) ίσως εξαντληθούν οι μπαταρίες στο τηλεχειριστήριο.

δ) ίσως το βύσμα δεν είναι σωστά συνδεδεμένο.

2) Trouble: Λειτουργεί μόνο για σύντομο χρονικό διάστημα

Ανάλυση:

α) Εάν η ρυθμισμένη θερμοκρασία είναι κοντά στη θερμοκρασία δωματίου, μπορείτε να χαμηλώσετε τη ρυθμισμένη θερμοκρασία.

β) ίσως η είσοδος αέρα εμποδίζεται από εμπόδιο. Πάρτε το εμπόδιο μακριά.

3) Trouble: Λειτουργεί αλλά δεν κρύνει

Ανάλυση:

α) ίσως είναι ανοιχτή η πόρτα ή το παράθυρο.

β) ίσως σε κοντινή απόσταση υπάρχει μια άλλη συσκευή που λειτουργεί θερμότητα όπως θερμάστρα ή λάμπα κ.λπ.

γ) το φίλτρο αέρα είναι βρώμικο, καθαρίστε το.

δ) η έξοδος ή η εισαγωγή αέρα εμποδίζεται.

στ) η ρύθμιση της θερμοκρασίας είναι πολύ υψηλή.

4) Προβλήματα: Διαρροή νερού κατά τη μετακίνηση.

Ανάλυση:

α) αποστραγγίστε το συμπύκνωμα πριν μετακινήσετε.

β) για να αποφύγετε τη διαρροή νερού, τοποθετήστε τη συσκευή σε επίπεδο έδαφος.

5) Βλάβη: Μην εργάζεστε και το πλήκτρο ένδειξης "E4"

Ανάλυση:

α) τραβήξτε το βύσμα από καουτσούκ για να αποστραγγίσετε το νερό

β) αν είναι συχνά σε αυτή την κατάσταση, παρακαλούμε επικοινωνήστε με τις εξειδικευμένες τεχνικές υπηρεσίες.

Αντιμετώπιση προβλημάτων

6) Trouble: Η συσκευή δεν ξεκινά.

Ανάλυση:

α) ίσως να μην συνδεθεί. Έτσι, συνδέστε το.

β) ίσως βλάβες βύσματος ή υποδοχής. Αντικατάσταση από τον παροχέα υπηρεσιών.

γ) ίσως να σπάσει η ασφάλεια. Αντικαταστήστε την ασφάλεια από τον πάροχο υπηρεσιών (προδιαγραφές: 3,15A / 250VAC).

7) Trouble: Η συσκευή σταματάει αυτόματα.

Ανάλυση:

α) διακοπή χρονισμού ή ρύθμιση της θερμοκρασίας. Επανεκκινήστε το ή περιμένετε τον αυτόματο διακόπτη.

8) Πρόβλημα: Δεν υπάρχει ψυχρός αέρας κάτω από τη λειτουργία COOL "K".

Ανάλυση:

α) η θερμοκρασία δωματίου είναι χαμηλότερη από τη ρυθμισμένη θερμοκρασία. Είναι ένα φυσιολογικό φαινόμενο, το μηχάνημα θα αλλάξει αυτόματα, ενώ η θερμοκρασία χώρου είναι υψηλότερη από την καθορισμένη θερμοκρασία.

β) Η συσκευή εισέρχεται στην αντιπαγετική προστασία. Η συσκευή θα αλλάξει αυτόματα αφού ολοκληρωθεί η αντιπαγετική προστασία.

9) Trouble: Το LED εμφανίζει τον κωδικό βλάβης "E2"

Ανάλυση:

α) ο αισθητήρας θερμοκρασίας χώρου αποτυγχάνει ή βλάπτει. Αντικαταστήστε τον αισθητήρα θερμοκρασίας χώρου από τον παροχέα υπηρεσιών.

10) Πρόβλημα: Η LED εμφανίζει τον κωδικό βλάβης "E3"

Ανάλυση:

α) ο αισθητήρας του σωλήνα λαδιού εξαμιστή αποτύχει ή υποστεί βλάβη. Αντικαταστήστε τον αισθητήρα του σωλήνα του εξαμιστή από τον παροχέα υπηρεσιών.

11) Trouble: Η LED εμφανίζει τον κωδικό βλάβης "E4"

Ανάλυση:

α) προειδοποίηση πλήρους ύδατος. Αποστραγγίστε το νερό.

## ΚΑΘΑΡΙΣΜΟΣ ΚΑΙ ΣΥΝΤΗΡΗΣΗ

Συντήρηση της συσκευής

1. Απενεργοποιήστε πρώτα τη συσκευή πριν την αποσύνδεση από την παροχή ρεύματος.

2. Σκουπίστε με ένα μαλακό και στεγνό πανί. Χρησιμοποιήστε χλιαρό νερό κάτω από 40C για καθαρισμό εάν η εφαρμογή είναι πολύ βρώμικη.

3. Ποτέ μην χρησιμοποιείτε πηκτική ουσία όπως βενζίνη ή στίλβωση για να καθαρίσετε τη συσκευή.

Συντήρηση φίλτρου αέρα

Είναι απαραίτητο να καθαρίζετε το φίλτρο αέρα κάθε 2 εβδομάδες εάν η συσκευή λειτουργεί σε περιβάλλον με εξαιρετικά σκονισμένη σκόνη. Καθαρίστε ως εξής:

1. Σταματήστε πρώτα τη συσκευή, στρώστε προς τα πάνω το φίλτρο αέρα (Εικόνα F).

2. Καθαρίστε και τοποθετήστε ξανά το φίλτρο αέρα.

3. Εάν η βρωμιά είναι εμφανής, πλύνετε την με διάλυμα απορρυπαντικού σε χλιαρό νερό. Μετά τον καθαρισμό, στεγνώστε το σε σκιασμένο και δροσερό μέρος και στη συνέχεια τοποθετήστε το ξανά.

Συντήρηση μετά τη χρήση

1. Αν η συσκευή δεν θα χρησιμοποιηθεί για μεγαλύτερο χρονικό διάστημα, τραβήξτε έξω την οπή αποστράγγισης (8) και την καπάκι από το λάστιχο αποστράγγισης (9) της θύρας αποστράγγισης, για να αποστραγγίσετε το νερό .
2. Κρατήστε τη συσκευή σε λειτουργία με ανεμιστήρα μόνο για μισή ημέρα κατά τη διάρκεια μιας ηλιόλουστης ημέρας για να στεγνώσει η συσκευή μέσα και να αποφευχθεί η εμφάνιση μούχλας.
3. Σταματήστε τη συσκευή και τραβήξτε το φινι του καλωδίου τροφοδοσίας, αφαιρέστε τις μπαταρίες του τηλεχειριστηρίου και αποθηκεύστε τη συσκευή σωστά.
4. Καθαρίστε το φίλτρο αέρα και τοποθετήστε το ξανά.
5. Αφαιρέστε τους εύκαμπους σωλήνες αέρα και αποθηκεύστε τους σωστά και καλύψτε προσεκτικά την οπή.

ΤΕΧΝΙΚΑ ΔΕΔΟΜΕΝΑ:

Χωρητικότητα ψύξης σε BTU: 9000 BTU / ώρα

Ικανότητα ψύξης σε watt: 2600

Κατανάλωση ενέργειας (ψύξη) W: 950 W

Όγκος: <= 65dB

Ροή αέρα: 380 m<sup>3</sup> / h

Ενεργειακή κλάση: A

Χρονοδιακόπτης: 24 ώρες

R290 βάρος ψυκτικού: max. 200 γραμμάρια



Προσοχή, κίνδυνος πυρκαγιάς.  
ΜΗΝ τρυπάτε ή καίτε.

Λάβετε υπόψη ότι το ψυκτικό μπορεί να μην περιέχει οσμή.

Η μέγιστη ποσότητα φορτίου ψυκτικού μέσου: 200g.



We geven om het milieu. We vragen u om de kartonnen verpakkingen te storten bij het oud papier. Polyethyleen zakken (PE) storten in de container voor plastic. Versleten apparatuur afgeven bij het juiste verzamelpunt, als in het apparaat gevaarlijke elementen zitten kan dat een bedreiging zijn voor het milieu. Elektrisch apparaat moet worden geretourneerd om het hergebruik te verminderen. Als in het apparaat batterijen zitten, horen die verwijderd te worden en apart af te worden gegeven bij het juiste verzamelpunt.

## NEDERLANDS

### ALGEMENE VEILIGHEIDSVORWAARDEN

#### BELANGRIJKE VEILIGHEIDSIINSTRUCTIES LEES AANDACHTIG EN BEWAAR VOOR TOEKOMST

1. Lees voordat u het apparaat gebruikt de handleiding en volg de instructies die erin staan. De fabrikant is niet aansprakelijk voor schade veroorzaakt door het gebruik van het apparaat in strijd met het beoogde doel of onjuist gebruik.
2. Het apparaat is alleen voor thuisgebruik. Niet gebruiken voor andere doeleinden die niet voor het beoogde doel zijn.
3. Het apparaat mag alleen worden aangesloten op een stopcontact met een geaarde 220 240V ~ 50Hz. Om de operationele veiligheid te vergroten, mogen meerdere elektrische apparaten niet tegelijkertijd op één stroomcircuit worden aangesloten.
4. Wees uiterst voorzichtig wanneer u het apparaat gebruikt wanneer kinderen in de buurt zijn. Laat kinderen niet met het apparaat spelen, en laat kinderen of mensen die niet bekend zijn met het apparaat het gebruiken.
5. **WAARSCHUWING:** deze apparatuur kan worden gebruikt door kinderen ouder dan 8 jaar en mensen met beperkte fysieke, sensorische of mentale vaardigheden, of mensen die geen ervaring of kennis van de apparatuur hebben, als dit wordt gedaan onder toezicht van een verantwoordelijke persoon voor hun veiligheid of hebben ze informatie gekregen over het veilige gebruik van het apparaat en zijn zich bewust van de gevaren van het gebruik ervan. Kinderen mogen niet met het apparaat spelen. Reiniging en onderhoud van het apparaat mogen niet door kinderen worden uitgevoerd, tenzij ze ouder zijn dan 8 jaar en deze

activiteiten worden uitgevoerd onder toezicht.

6. Trek altijd de stekker uit het stopcontact door het stopcontact na gebruik met uw hand vast te houden. Trek NIET aan het netsnoer.

7. Dompel de kabel, de stekker en het hele apparaat niet onder in water of een andere vloeistof. Stel het apparaat niet bloot aan atmosferische omstandigheden (regen, zon, enz.) Of gebruik het niet in omstandigheden met een hoge luchtvochtigheid (badkamers, vochtige stacaravans).

8. Controleer regelmatig de staat van het netsnoer. Als het netsnoer beschadigd is, moet het worden vervangen door een gespecialiseerde reparatiewerkplaats om gevaar te voorkomen.

9. Gebruik het apparaat niet met een beschadigd netsnoer of als het is gevallen of op een andere manier is beschadigd of als het niet goed werkt. Repareer het apparaat niet zelf, want er bestaat een risico op elektrische schokken. Breng het beschadigde apparaat naar een geschikt servicecentrum voor controle of reparatie. Alle reparaties mogen alleen door geautoriseerde servicepunten worden uitgevoerd. Onjuist uitgevoerde reparaties kunnen ernstig gevaar voor de gebruiker veroorzaken.

10. Plaats het apparaat op een koele, stabiele ondergrond, uit de buurt van hete keukenapparatuur zoals: elektrisch fornuis, gasbrander, enz.

11. Zorg ervoor dat niets de luchtinlaat en -uitlaat van het apparaat blokkeert

12. Gebruik het apparaat alleen op een vlakke ondergrond om te voorkomen dat condensatie naar buiten komt

13. Voor extra bescherming is het raadzaam om een aardlekschakelaar (RCD) in het elektrisch circuit te installeren met een nominale reststroom van niet meer dan 30 mA. Vraag hierom een elektricien.

14. Reinig het luchtfilter regelmatig. De frequentie van schoonmaken hangt af van de reinheid van de lucht.

15. Wacht na het uitschakelen van de machine minstens 5 minuten voordat u hem weer inschakelt.

16. Gebruik het apparaat niet op zonnige plaatsen. Wanneer het apparaat oververhit raakt, schakelt de oververhittingsbeveiliging het apparaat in.

17. Voor een effectieve koeling moet een afstand van minimaal 60 cm worden aangehouden tussen de zijwanden van het apparaat en de muur of meubels of gordijnen.

18. Vanwege de beperkte prestaties van het apparaat wordt de doeltemperatuur mogelijk niet bereikt als het verschil tussen de doeltemperatuur en de omgevingstemperatuur te groot is.

19. Neem de volgende basisvoorzorgsmaatregelen in acht om het risico op brand, elektrische schokken of letsel bij het gebruik van de airconditioner te verminderen:

- a) Sluit aan op een geaard stopcontact met 3 pinnen.
- b) Verwijder de aardingspen niet.
- c) Gebruik de adapter niet.
- d) Gebruik geen verlengsnoer.
- e) Koppel de airconditioner los voordat u onderhoud uitvoert.



- f) Gebruik twee of meer mensen om de airconditioner te verplaatsen en te installeren.
20. Gebruik geen andere middelen dan het door de fabrikant aanbevolen ontdooings- of reinigingsproces.
21. Het apparaat moet worden opgeslagen in een ruimte zonder constant werkende ontstekingsbronnen, bijvoorbeeld: open vuur, gastoestellen of elektrische kachels.

#### VOOR HET EERSTE GEBRUIK - (afbeelding E)

Sluit de connectoren als volgt aan op het luchtafvoerkanaal:

1. Trek het luchtafvoerkanaal (10) uit door de twee uiteinden van het kanaal eruit te trekken.
2. Schroef het luchtafvoerkanaal (10) in de connector van het luchtafvoerkanaal (11).
3. Sluit de connector van luchtafvoerkanaal (11) aan op het apparaat.

#### OPMERKINGEN:

1. Houd het apparaat op minimaal 1 meter afstand van tv of radio's om elektromagnetische interferentie te voorkomen.
  2. Stel het apparaat niet bloot aan direct zonlicht om te voorkomen dat de kleur van het oppervlak vervaagt.
  3. Kantel het apparaat niet meer dan 35 ° of ondersteboven tijdens het transport. Als het apparaat tijdens het transport is omgedraaid, leg het dan correct neer en wacht 2-4 uur voordat u het start.
  4. Plaats het apparaat op een vlak oppervlak met een helling van minder dan 5 °.
  5. Het apparaat werkt efficiënter op bepaalde kamerlocaties, selecteer de beste locatie:
    - Naast een raam, een deur of een Frans raam.
    - Houd de vereiste afstand van de retourluchtuitlaat tot de muur of andere obstakels minimaal 60 cm.
    - Trek de luchtslang uit om ervoor te zorgen dat het andere uiteinde van de luchtslang ruimte heeft tussen de raamdeur, het Franse raam of de muuropening.
    - Luchtuitlaat of -inlaat kan niet worden geblokkeerd door een beschermrooster of een obstakel.
- Om de levensduur van de unit te verlengen, afvoer het condenswater uit de bovenste (8) en onderste (9) koelere afvoeropeningen voordat u de unit aan het einde van het seizoen opslaat.

#### BESCHRIJVING VAN HET APPARAAT (afbeeldingen A en B)

- |                                     |                              |
|-------------------------------------|------------------------------|
| 1. Bedieningspaneel                 | 2. Uitlaat voor koude lucht  |
| 3. Signaalontvanger                 | 4. Afstandsbediening         |
| 5. Transporthandvat                 | 6. Uitlaatkanaal             |
| 7. Verdamerinlaat                   | 8. Afvoergat bovenste koeler |
| 9. Afvoeropening koeler omlaag      | 10. Luchtafvoerkanaal        |
| 11. Connector van luchtafvoerkanaal | 12. Raamafvoeradapter        |

#### BEDIENINGSPANEEL (afbeelding C)

- |                                    |                                    |
|------------------------------------|------------------------------------|
| A. Aan / uit-knop AAN / UIT        | B. Ventilatorsnelheidsknop         |
| C. Modusknop                       | D. Timer / temperatuur omhoog knop |
| E. Knop timer / temperatuur omlaag | F. Knop voor lage snelheid         |
| G. Hogesnelheidsknop               | H. Power-indicator                 |
| I. Slaapknop en kinderslot         | J. Automatische modus              |
| K. Koelmodus                       | L. Luchtontvochtigingsmodus        |
| M. Ventilatormodus                 | N. Timer-knop                      |
| O. Oscillatieknop                  | P... Kinderslot                    |

#### AFSTANDBEDIENING - afbeelding D

De afstandsbediening verzendt signalen naar het systeem.

Knop "A" - het apparaat wordt gestart wanneer het wordt ingeschakeld of wordt gestopt wanneer het in werking is, als u op deze knop drukt.

Knop "C" - druk erop om de bedieningsmodus te selecteren: "J", "K", "L" of "M".

Knop "B" - druk erop om de ventilatorsnelheid in volgorde te selecteren.

Knop "D" / "E" - indrukken om de kamertemperatuur en de timer in te stellen.

Knop "I" - indrukken om de slaapmodus in te stellen of te annuleren.

Knop "N" - indrukken om de tijd van automatisch uit en automatisch aan in te stellen.

Knop "O" - indrukken om de zwenkmodus van de lamellen in te stellen of te annuleren.

#### BEDIENING VAN HET BEDIENINGSPANEEL

##### AUTOMATISCH / KOEL / DROOG / VENTILATOR

1. Schakel het apparaat in.

a) Sluit het apparaat aan en vervolgens piept het apparaat eenmaal. Het stroomlampje "H" brandt.



- b) Druk op de knop "A" en het apparaat wordt ingeschakeld.
- c) LED-diode geeft kamertemperatuur weer en begint te werken in automatische modus.

## 2. Kies de bedrijfsmodus

Druk op de knop "C" om de gewenste bedieningsmodus te selecteren op volgorde:  
Automatische modus "J" -> Koelmodus "K" -> Droogmodus "L" -> Ventilatormodus "M."

## 3. Pas de temperatuur aan

De temperatuur kan worden ingesteld binnen een bereik van 15 ° -31 ° C. Druk op de knop "D" of "E" om de temperatuur met 1 ° C te verhogen of te verlagen door eenmaal op te drukken. Het LED-paneel van het apparaat toont de doeltemperatuur gedurende 5 seconden en geeft vervolgens de kamertemperatuur weer.

## 4. Pas de ventilatorsnelheid aan

Druk op de knop "B" om de gewenste ventilatorsnelheid per reeks te selecteren:  
Lage snelheid "F" -> Hoge snelheid "G"

## 5. vermogen

Wanneer u nogmaals op de knop "A" drukt, klinkt het apparaat "di", gaat de stroomindicator "H" uit en stopt met werken.

6. Druk op deze knop "I" om naar de slaapstand van het apparaat te gaan.

7. Druk op deze knop "N" om een getimed uitschakeling in te stellen.

8. Druk op deze knop "O" om de luchtzwaaioscillatie op en neer te zetten.

Elk modus werkingsprincipe:

### AUTO "J" -modus:

Zodra de "J", werking is geselecteerd, werkt de binnentemperatuursensor automatisch en selecteert een van de onderstaande bedrijfsmodi:

- Wanneer de kamertemperatuur  $\geq 24$  °C is, selecteert het apparaat automatisch de koelmodus "K" -modus.

of

- Wanneer de kamertemperatuur  $< 24$  °C is, selecteert het apparaat automatisch de hoge ventilatorsnelheid "M".

### Luchtvochtigheid "L" -modus:

1. De centrifugaalventilator omhoog draait op lage snelheid en de snelheid kan niet worden aangepast.

2. De compressor stopt na 8 minuten en is na 6 minuten weer actief.

3. Het apparaat neemt een constante temperatuur aan die de lucht ontvochtigt, en de aanpassing van de temperatuur is niet effectief.

### WAARSCHUWING:

Bij gebruik van het apparaat in wisselende luchtvochtigheid, moet de downcoolerafvoeropening (9) constant open zijn en zorgen voor een constante waterafvoer.

### KOELE "K" -modus:

1. Wanneer de kamertemperatuur hoger is dan de ingestelde temperatuur op het bedieningspaneel, begint de compressor te draaien.

2. Wanneer de kamertemperatuur lager is dan de ingestelde temperatuur op het bedieningspaneel, werkt de compressor stop en werkt de bovenste ventilator met de oorspronkelijke ingestelde snelheid.

### Ventilator "M..." -modus.

1. De centrifugaalventilator omhoog draait op de ingestelde snelheid en de compressor draait niet.

2. De aanpassing van de temperatuur is niet effectief.

### Timerbedrijf "N":

1. Druk op de knop "N" om de automatische uitschakeltijd in te stellen terwijl het apparaat aan staat.

2. Druk op de knop "N" om de tijd voor automatisch aan in te stellen terwijl het apparaat gereed is.

3. De tijd kan worden ingesteld binnen een bereik van 1 uur tot 24 uur door op de knop "D" ( + ) of "E" ( - ) te

drukken.

Slaapmodus "I" bediening & kinderbeveiliging:

1. De slaapmodus werkt wanneer de unit in de koelmodus "K" staat.
2. Druk op de knop "I" in de koele modus "K", dan werkt de unit in de slaapmodus en de omhoog centrifugale ventilator draait automatisch op lage snelheid. De ingestelde temperatuur stijgt na 1 uur met 1 increase en na 2 uur met 2 increase. Na zes uur stopt de unit met werken.
3. Druk gedurende drie seconden op de kindervergrendelknop "I" om alle andere functies niet te kunnen gebruiken. Als u nogmaals 3 seconden ingedrukt houdt, wordt de functie Kinderslot ontgrendeld, terwijl alle andere functies weer kunnen worden gebruikt.

Swing "O" -modus operatie:

Wanneer het apparaat is ingeschakeld, drukt u op de knop "O", de verticale jaloezie gaat aan of uit. Wanneer deze is ingeschakeld, kan de jaloezie binnen 60 graden heen en weer zwaaien. Druk opnieuw op de knop "O", de jaloezie stopt met zwaaien.

Merk op:

Het hoofdbesturingsbord heeft een geheugenfunctie, wanneer het apparaat gereed is voor gebruik, maar in de stopstatus kan het hoofdbesturingsbord de initialisatie van de werkmodus onthouden. Wanneer u het apparaat inschakelt, werkt het als dezelfde bepaling van de werkmodus als de vorige keer. U hoeft de werkmodus niet opnieuw in te stellen. (Deze voorwaarde is niet beschikbaar wanneer het apparaat zich in AUTO-modus "J" bevindt.)

## AFSTANDSBEDIENING

1. Schuif de achtercover om te openen en verwijder de isolatiefilm op de batterijen.
  2. Plaats de batterijen in de sleuf en moet overeenkomen met de tekens "+" en "-" op de afstandsbediening.
  3. Verwijder de batterijen voor lange tijd zonder gebruik.
  4. Om milieuvervuiling te voorkomen, haalt u de gebruikte batterijen eruit en gooit u deze op de juiste manier weg.
- Richt de afstandsbediening (..) op het signaal om het apparaat te bedienen. De afstandsbediening bedient het apparaat op een afstand van 5 meter wanneer deze naar de signaalontvanger van het apparaat wijst.

## BESCHERMENDE APPARATEN

Het beschermingsapparaat kan in de onderstaande gevallen struikelen en het apparaat stoppen:

1. in koelmodus: binnenluchttemperatuur is hoger dan 43 ° C (109 ° F)
2. in koelmodus: kamertemperatuur is lager dan 15 ° C (59 ° F)
3. bij ontvochtigingsmodus: kamertemperatuur is lager dan 15 ° C (59 ° F).

Als het apparaat in koeling "K" draait of de "L" -modus ontvochtigt met een deur of raam lang geopend wanneer de relatieve luchtvochtigheid hoger is dan 80%, kan dauw uit de uitlaat druppelen.

Het beveiligingsapparaat werkt in de volgende gevallen:

1. U moet het apparaat onmiddellijk opnieuw opstarten nadat u het werk hebt gestopt of de geselecteerde modus hebt gewijzigd terwijl u werkt. U moet 3 minuten wachten.
2. Als de stekker is verwijderd, keert het apparaat na het opnieuw opstarten terug naar de oorspronkelijke modus, TIMER AAN en TIMER UIT - moet opnieuw worden ingesteld.

**OPMERKING:** er is condenswaterrecycling verborgen in dit apparaat. Het condenswater wordt gedeeltelijk tussen de condensor en de waterplaat gerecirculeerd. Wanneer het waterniveau naar het bovenste niveau stijgt, lichten de vlotterschakelaar en de indicator water vol (E4) op om het aftappende water eraan te herinneren. Sluit de stroomtoevoer af, verplaats het apparaat naar een geschikte plaats, verwijder de aftapplug, laat het water helemaal weglopen. Installeer na het aftappen de plug opnieuw, anders kan het apparaat lekken en uw kamer nat maken.

Als het apparaat in een positie wordt geplaatst die afvoerwater toelaat, kunt u ook de afvoeropening op de

afvoerpoort aansluiten om het water af te tappen. Afvoerpijp is toegevoegd aan kit, met binnendiameter 9 mm, buitendiameter 12 mm, materiaal: PVC.

#### Probleemoplossen

1) Probleem: werk niet.

##### Analyse:

a) misschien is de beveiliging of zekering doorgebrand, wacht 3 minuten en start opnieuw, mogelijk voorkomt dat het apparaat werkt.

c) misschien zijn de batterijen in de afstandsbediening leeg.

d) misschien is de stekker niet goed aangesloten.

2) Problemen: werkt alleen voor een korte tijd

##### Analyse:

a) als de ingestelde temperatuur dicht bij kamertemperatuur ligt, kunt u de ingestelde temperatuur verlagen.

b) misschien is de luchtuitlaat geblokkeerd door een obstakel. Haal het obstakel weg.

3) Probleem: werkt maar koelt niet

##### Analyse:

a) misschien staan de deur of het raam open.

b) misschien op korte afstand is er een ander apparaat dat werkt zoals een verwarming of lamp, enz.

c) het luchtfilter is vuil, maak het schoon.

d) luchtuitlaat of inlaat is geblokkeerd.

f) ingestelde temperatuur is te hoog.

4) Probleem: Waterlek tijdens verplaatsen.

##### Analyse:

a) laat het condensaat weglopen voordat u het verplaatst.

b) Plaats het apparaat op een vlakke ondergrond om waterlekage te voorkomen.

5) Probleem: werk niet en geeft de waterindicator "E4" vol

##### Analyse:

a) trek de rubberen plug uit het water.

b) Neem contact op met een gekwalificeerde technische dienst als deze zich vaak in deze staat bevindt.

#### Probleemoplossen

6) Probleem: apparaat start niet op.

##### Analyse:

a) misschien niet aangesloten. Sluit hem dus aan.

b) schade aan de stekker of het stopcontact. Vervangen door serviceprovider.

c) misschien zekering kapot. Vervang de zekering door uw serviceprovider (specificatie: 3,15A / 250VAC).

7) Probleem: apparaat stopt automatisch.

##### Analyse:

a) timing uitgeschakeld of ingestelde temperatuur bereikt. Herstart het of wacht op automatisch schakelen.

8) Probleem: geen koude lucht in COOL "K" -modus.

##### Analyse:

a) kamertemperatuur is lager dan ingestelde temperatuur. Het is een normaal verschijnsel, de machine schakelt automatisch terwijl de kamertemperatuur hoger is dan de ingestelde temperatuur.

b) Apparaat komt in antivriesbescherming. Het apparaat schakelt automatisch in nadat de antivriesbescherming is beëindigd.

9) Probleem: LED geeft foutcode "E2" weer

##### Analyse:

a) kamertemperatuursensor werkt niet of is beschadigd. Vervang de kamertemperatuursensor door uw serviceprovider.

10) Probleem: LED geeft foutcode "E3" weer

##### Analyse:

a) de sensor van de verdamperolieleiding is defect of beschadigd. Vervang de pijpsensor van de verdamperspiraal door de serviceprovider.

11) Probleem: LED geeft foutcode "E4" weer

##### Analyse:

a) waarschuwing met water. Tap het water af.

#### SCHOONMAAK EN ONDERHOUD

##### Apparaat onderhoud

1. Schakel het apparaat eerst uit voordat u de stekker uit het stopcontact haalt.

2. Veeg met een zachte en droge doek. Gebruik lauw water onder de 40 ° C om schoon te maken als het apparaat erg vuil is.

3. Gebruik nooit vluchtige stoffen zoals benzine of polijstpoeder om het apparaat schoon te maken.

##### Luchtfilter onderhoud

Het is noodzakelijk om het luchtfilter elke 2 weken te reinigen als het apparaat in een extreem stoffige omgeving werkt. Reinig als volgt:

1. Stop het apparaat eerst en duw het luchtfilter omhoog (afbeelding F).

2. Reinig en installeer het luchtfilter opnieuw.

3. Als het vuil opvallend is, was het dan met een oplossing van afwasmiddel in lauw water. Droog het apparaat na het reinigen op een

schaduwrijke en koele plaats en installeer het opnieuw.

Onderhoud na gebruik

1. Als het apparaat gedurende langere tijd niet zal gebruiken, zorg er dan voor dat u de rubberen plug van het bovenste afvoergat van de koeler (8) en de rubberen plug in het afvoergat van de koeler (9) van de afvoerpoort trekt om het water af te tappen .
2. Laat het apparaat gedurende een zonnige dag maar een halve dag draaien met ventilator om het apparaat binnenin te drogen en te voorkomen dat het beschimmelt.
3. Stop het apparaat en trek de stekker uit het stopcontact, haal de batterijen uit de afstandsbediening en bewaar het apparaat op de juiste manier.
4. Reinig het luchtfilter en installeer het opnieuw.
5. Verwijder de luchtslangen en bewaar ze op de juiste manier, en dek het gat goed af.

TECHNISCHE DATA:

Koelcapaciteit bij BTU: 9000 BTU / uur

Koelvermogen in watt: 2600

Energieverbruik (koeling) W: 950 W

Volume: <= 65 dB

Luchtstroom: 380 m3 / h

Energieklasse: A

Timer: 24 uur

Koelmiddelgewicht R290: max. 200 gram



Let op, brandgevaar.

NIET doorboren of verbranden.

Houd er rekening mee dat het koelmiddel mogelijk geen geur bevat.

De maximale vulhoeveelheid koelmiddel: 200 g.



We geven om het milieu. We vragen u om de kartonnen verpakkingen te storten bij het oud papier. Polyethyleen zakken (PE) storten in de container voor plastic. Versleten apparatuur afgeven bij het juiste verzamelpunt, als in het apparaat gevaarlijke elementen zitten kan dat een bedreiging zijn voor het milieu. Elektrisch apparaat moet worden geretourneerd om het gebruik te verminderen. Als in het apparaat batterijen zitten, horen die verwijderd te worden en apart af te worden gegeven bij het juiste verzamelpunt.

СРПСКИ

ОПШТИ УСЛОВИ СИГУРНОСТИ

ВАЖНЕ БЕЗБЕДНОСНЕ УПУТЕ ПРОЧИТАЈТЕ УПОЗОРЕЊЕ И УШТЕДИТЕ БУДУЋНОСТ

1. Пре употребе уређаја, прочитајте упутство за употребу и следите упутства која се налазе у њему. Произвођач није одговоран за штету насталу употребом уређаја супротно његовој предвиђеној намени или неправилном раду.
2. Уређај је намењен само за кућну употребу. Не употребљавајте у друге сврхе које нису предвиђене.
3. Уређај треба да буде повезан на наизменичну струју са уземљеним 220 240В ~ 50Хз. Да би се повећала оперативна сигурност, више електричних уређаја не би требало истовремено да буде повезано на један струјни круг.
4. Будите изузетно опрезни када користите уређај када су деца у близини. Не дозволите деци да се играју са уређајем, не дозволите деци или особама које нису упознате са уређајем да га користе.
5. УПОЗОРЕЊЕ: Ову опрему могу користити деца старија од 8 година и особе ограничене физичке, сензорне или менталне способности, или људи који немају искуства или знање о опреми, ако се то ради под надзором одговорне особе ради њихове сигурности или су им одобрени подаци о сигурној употреби уређаја и свесни су опасности употребе уређаја. Деца се не смеју играти са опремом. Чишћење и одржавање уређаја не би требало да раде деца, осим ако су старија од 8 година и ове активности се изводе под надзором.
6. Увек искључите утикач држећи утичицу руком након употребе. НЕ повлачите кабл за напајање.

7. Не урањајте кабл, утикач и цео уређај у воду или било коју другу течност. Не излажите уређај атмосферским условима (киша, сунце итд.) И не користите у условима високе влажности (купатила, влажне мобилне кућице).
8. Повремено проверите стање кабла за напајање. Ако је кабл за напајање оштећен, замените га у специјалном сервису да бисте избегли опасност.
9. Не користите уређај са оштећеним каблом за напајање или ако је пао или оштећен на било који други начин или ако не ради исправно. Не поправљајте уређај сами јер постоји опасност од електричног удара. Оштећени уређај однесите у одговарајући сервисни центар ради провере или поправке. Све поправке смеју обављати само овлашћени сервиси. Неправилно извршени поправки могу озбиљно опасити за корисника.
10. Уређај поставите на хладну и стабилну површину, даље од врућих кухињских уређаја као што су: електрични шпорет, плински горионик итд.
11. Пазите да ништа не блокира довод и излаз ваздуха уређаја
12. Користите уређај само на равној површини како бисте спречили да се кондензат пролије
13. Да бисте обезбедили додатну заштиту, препоручљиво је да у електрични круг инсталирате уређај за заосталу струју (РЦД) са називно заосталом струјом која не прелази 30mA. Питајте за то електричара.
14. Редовно чистите ваздушни филтер. Учесталост чишћења зависи од чистоће ваздуха.
15. Након што искључите машину, сачекајте најмање 5 минута пре него што је поново укључите.
16. Не користите уређај на сунчаним местима. Када се уређај прегреје, укључиће се заштита од прегревања.
17. Да би се осигурало ефикасно хлађење, између бочних зидова уређаја и зида или намештаја или завеса треба да се задржи најмање 60 цм.
18. Због ограничених перформанси уређаја, ако је разлика између циљне температуре и температуре околине превелика, циљна температура можда неће бити достигнута.
19. Да бисте смањили ризик од пожара, струјног удара или повреда приликом коришћења клима уређаја, придржавајте се следећих основних мера предострожности:
  - а) Спојите на уземљену утичницу са 3 пина.
  - б) Не уклањајте уземљење.
  - ц) Не користите адаптер.
  - д) Не користите продужни кабел.
  - е) Искључите клима уређај прије сервисирања.
  - ф) Користите две или више особа за померање и инсталирање клима уређаја.
20. Не користите средства која убрзавају процес одмрзавања или чишћења другачија од оних које препоручује произвођач.
21. Уређај треба складиштити у просторији без стално делујућих извора паљења, на пример: отворена ватра, гасни уређаји или електрични грејачи.

## ПРЕ ПРИМЕНЕ - (слика Е)

Прикључке спојите на одвод ваздуха на следећи начин:

1. Извуците издувни канал за ваздух (10) извлачењем два краја канала.
2. Завијте канал за одвод ваздуха (10) у прикључак издувног ваздуха (11).
3. Прикључите конектор за одвод ваздуха (11) на уређај.

## ОПОМЕНА:

1. Држите уређај најмање 1 метар од телевизора или радија да бисте избегли електромагнетне сметње.
  2. Не излажите уређај под директном сунчевом светлошћу да не бисте изблиједјели у боји.
  3. Не превртајте уређај за више од 35 ° или наопако током транспорта. Ако се уређај преврнуо током транспорта, исправно га одложите и причекајте 2-4 сата пре него што га покренете.
  4. Поставите јединицу на равну површину са нагибом мањим од 5 °.
  5. Уређај ефикасније ради на одређеним локацијама, одаберите најбољу локацију:
    - Поред прозора, врата или француског прозора.
    - Држите потребну удаљеност од излаза повратног ваздуха до зида или других препрека најмање 60 цм.
    - Извуците црево за ваздух да бисте осигурали да други крај црева за ваздух има зазор између прозорског врата, француског прозора или зидног отвора.
    - Излаз или усис зрака не могу се блокирати заштитном мрежом или било којом препреком.
- Да бисте продужили век уређаја, испустите кондензовану воду из горњих (8) и доњих (9) отвора за одвод хладњака пре стављања уређаја у складиште на крају сезоне.

## ОПИС УРЕЂАЈА (слике А и Б)

1. Управљачка плоча
2. Одвод хладног ваздуха
3. Сигнални рецептор
4. Даљински управљач
5. Транспортна дршка
6. Издувни канал
7. Улаз испаривача
8. Отвор за одвод горњег хладњака
9. Отвор за одвод хладњака доле
10. Одвод за одвод ваздуха
11. Конектор за одвод ваздуха
12. Прикључак за издувни прозор

## КОНТРОЛА ПАНЕЛ (слика Ц)

А. Тастер за укључивање / искључивање

Ц=С. Дугме режима

Е. Тастер за искључивање тајмера / температуре

Г=С. Дугме велике брзине

И=I. Дугме за спавање и закључавање за децу

К. Кул начин рада.

М. Начин рада вентилатора

О. Дугме за осцилацију

Б=В. Тастер за брзину вентилатора

Д=D. Тастер за подешавање времена / температуре

Ф=F. Дугме за малу брзину

Х=Н. Индикатор напајања

Ј. Аутоматски режим

Л. Режим одвлаживања влаге

Н=N. Дугме тастера

П=P... Дечија брава

## ДАЉИНСКИ УПРАВЉАЧ - слика Д

Даљински регулатор шаље сигнале систему.

Дугме "А" - апарат ће се покренути када је под напоном или ће се зауставити током рада, ако притиснете ово дугме.

Дугме "Ц" - притисните да бисте изабрали режим рада: "Ј", "К", "Л" или "М".

Дугме "Б" - притисните да бисте одабрали брзину вентилатора у низу.

Дугме "Д" / "Е" - притисните да подесите температуру у соби и тајмер.

Тастер „И“ - притисните да бисте подесили или отказали режим спавања.

Тастер „Н“ - притисните да подесите време аутоматског искључивања и аутоматског укључивања.

Дугме "О" - притисните да бисте подесили или отказали режим гљугњања решетки.

## УПРАВЉАЊЕ ПАНЕЛОМ ЗА УПРАВУ

АУТОМАТСКИ / ХЛАЂЕНИ / СУШИ / Вентилатор

1. Укључите уређај.

а) Повежите уређај, а затим уређај једном писка. Лампица напајања "Х" светли.

б) Притисните дугме "А" и тада ће се уређај укључити.

ц) ЛЕД диода приказује собну температуру и почиње да ради у аутоматском режиму.

2. Одаберите режим рада

Притисните тастер "Ц" да бисте одабрали жељени режим рада према редоследу:

Аутоматски режим "Ј" -> Режим хлађења "К" -> Режим сушења "Л" -> Начин вентилатора "М"

3. Подесите температуру

Температура се може подесити у распону од 15 ° -31 ° Ц. Притисните „Д“ или „Е“ дугме да бисте повећали или смањили

температуру за 1 ° Ц једним притиском. ЛЕД панел на уређају приказује циљну температуру током 5 секунди, а затим приказује собну температуру.

#### 4. Подесите брзину вентилатора

Притисните дугме "Б" да бисте одабрали жељену брзину вентилатора по редоследу:

Мала брзина "Ф" -> Велика брзина Г

#### 5. Снага

Када поново притиснете тастер „А“, уређај ће се огласити „ди“, индикатор напајања „Х“ угасит ће се и престати радити.

6. Притисните ово дугме „И“ да бисте ушли у режим спавања уређаја.

7. Притисните ово дугме "Н" да бисте поставили временско искључивање.

8. Притисните ово дугме "О" да подесите осцилацију закретања ваздуха према доле.

Сваки принцип рада:

#### АУТО "Ј" мод:

Једном када је одабран "Ј", сензор температуре у затвореном простору аутоматски ради и одабере један од следећих режима рада:

- Када је собна температура  $\geq 24$  унит, уређај ће аутоматски одабрати кул режим „К“.

или

- Када је собна температура  $< 24$  , уређај ће аутоматски одабрати режим велике брзине вентилатора „М..“.

#### Осушите режим "Л":

1. Упаљени центрифугални вентилатор радиће при малој брзини, а брзина се не може подесити.

2. Компресор ће се зауставити након рада 8 минута, а затим поново покренути након 6 минута.

3. Уређај прихвата режим константне одвлаживања температуре, а подешавање температуре није ефикасно.

#### УПОЗОРЕЊЕ:

Приликом рада уређаја у условима различите влажности, отвор за одвод доље хладњака (9) треба стално да се отвара и осигурава константно испуштање воде.

#### ЦООЛ "К" режим:

1. Када је собна температура виша од постављене на контролној табли, компресор почиње да ради.

2. Када је собна температура нижа од задате на контролној табли, заустављање компресора и горњи вентилатор раде почетном подешеном брзином.

#### Режим "М" вентилатора.

1. Горне центрифугални вентилатор ради постављеном брзином, а компресор не ради.

2. Подешавање температуре није ефикасно.

#### Рад тајмера "Н":

1. Притисните дугме „Н“ за подешавање времена аутоматског искључивања док јединица ради.

2. Притисните дугме „Н“ за подешавање Аутоматског укључивања у време док је јединица спремна.

3. Време се може подесити у распону од 1 сата до 24 сата притиском на дугме "Д" ( + ) или "Е" ( - ) .

#### Рад „спавања“ у режиму мировања и функција закључавања деце:

1. Режим мировања ради када се јединица хлади "К" режимом.

2. Притисните тастер "И" у хладном режиму "К", тада ће јединица радити у режиму мировања и упаљени центрифугални вентилатор аутоматски ће се пребацити на малу брзину. Постављена температура ће се повећати за 1 након једног сата, а повећати за 2 након два сата. Након шест сати јединица ће престати радити.

3. Притисните тастер за закључавање детета „И“ три секунде да све остале функције не могу да се користе. Притисните поново 3 секунде, откључајете функцију за закључавање детета, а све остале функције моћи ће поново да се користе.

#### Рад у режиму љуљања "О":

Када је уређај укључен, притисните дугме "О", вертикална летва ће се укључити или искључити. Када је укључен, отвор се може љуљати напријед-назад у року од 60 степени. Поновно притисните дугме "О", решетка ће се престати њихати.

#### Објава:

Главна контролна плоча има функцију меморије, када је уређај спреман да се покрене, али у статусу заустављања, главна управљачка плоча може упамтити покретање радног режима. Када укључите јединицу, она ће радити исто као и прошли пут, а

нема потребе да се поново поставља режим рада. (Овај услов није доступан ако је јединица у режиму АУТО "J").

#### ДАЉИНСКИ УПРАВЉАЧ

1. Повуците задњи поклопац да бисте га отворили и скините изолацијски филм на батерије.
  2. Ставите батерије у прорез, који морају одговарати знаковима "+" и "-" на даљинском управљачу.
  3. Извадите батерије дуго времена без употребе.
  4. Да бисте спречили загађење околине, извадите рабљене батерије и одложите безбедност и на одговарајући начин.
- Да бисте управљали уређајем, усмјерите даљински управљач (...) према сигналном рецептору. Даљински контролер ће управљати уређајем на удаљености од 5 метара када ће усмеравати на сигнални рецептор уређаја.

#### ЗАШТИТНИ УРЕЂАЈИ

Заштитни уређај може угасити и зауставити апарат у доле наведеним случајевима:

1. при режиму хлађења: температура ваздуха у затвореном простору је преко 43 ° Ц (109 ° Ф)
2. у режиму хлађења: собна температура је испод 15 ° Ц (59 ° Ф)
3. у режиму одvlaживања: собна температура је испод 15 ° Ц (59 ° Ф).

Ако уређај ради у режиму хлађења „К“ или одvlaживањем „Л“ режима са отвореним вратима или прозором када је релативна влажност ваздуха изнад 80%, роса може капнути из утичнице.

Заштитни уређај ће радити у следећим случајевима:

1. Да бисте поново покренули уређај одмах након заустављања рада или промене изабраног режима током рада, морате сачекати 3 минута.
2. Ако је утикач уклоњен, након поновног покретања уређај ће се вратити у првобитни режим, ТИМЕР ОН и ТИМЕР ОФФ - морају се поново подесити.

**НАПОМЕНА:** постоји рециклирање воде кондензоване воде скривене унутар ове јединице. Вода за кондензацију делимично се наставља рециклирати између кондензатора и водене плоче. Кинда ниво воде порасте на горњи ниво, лампица пловка и индикатор пуне воде (Е4) се пале да би подсетили на одвод воде. Прекрива са напajaњем, пребаците уређај на одговарајуће место, извадите чеп за одвод, потпуно исцедите воду. Након одвода поново поставите утикач или ће апарат процурити и учинити да је ваша соба мокра.

Ако је апарат постављен у положај да допушта дренажну воду, такође можете да повежете отвор за испуштање на одводни отвор да бисте одводили воду. Одводна цев се додаје у комплет, са унутрашњим пречником 9 мм, спољним пречником 12 мм, материјал: ПВЦ.

#### Решавање проблема

1) Проблем: Не радите.

Анализа:

- а) можда се поквари заштитни заштитник или осигурач, причекајте 3 минуте и покрените поново, уређај заштитника можда спречава рад уређаја.
- б) можда су истрошене батерије на даљинском управљачу.
- в) можда утикач није исправно прикључен.

2) Проблем: ради само кратко време

Анализа:

- а) ако је постављена температура близу собне температуре, можете снизити постављену температуру.
- б) можда је излаз ваздуха блокиран препреком. Отклоните препреку.
- в) Проблем: Ради, али не хлади

Анализа:

- а) можда су врата или прозор отворени.
  - б) можда се у блиској удаљености налази још један апарат који топлотно ради као гријач или свјетилка, итд.
  - в) ваздушни филтер је прљав, очистите га.
  - г) излаз или довод ваздуха је блокиран.
  - д) подешена температура је превисока
- 4) Проблем: цурење воде током кретања.

Анализа:

- а) испразните кондензат пре кретања.
  - б) да бисте избегли цурење воде, лоцирајте уређај на равном терену.
- 5) Проблем: Не радите и показивач пуне воде "Е4"

Анализа:

- а) извуците гумени чеп за испуштање воде.
- б) ако је често у овом стању, обратите се квалификованом техничком сервису.

Решавање проблема

6) Проблем: Уређај се не покреће.

Анализа:



- а) можда није прикључен на струју. Дакле, прикључите га.
- б) можда оштећења утикача или утичнице. Замена провајдера.
- ц) можда је осигурач покварен. Замените осигурач од стране пружаоца услуга (спецификација: 3,15А / 250ВАЦ).
- 7) Проблем: Уређај се аутоматски зауставља.

Анализа:  
а) искључивање времена или подешена температура. Поново га покрените или причекајте аутоматско пребацивање.

- 8) Проблем: нема хладног ваздуха у режиму ЦООЛ "К".

Анализа:  
а) собна температура је нижа од постављене. То је нормална појава, машина ће се аутоматски пребацивати док је собна температура виша од постављене.

- б) Уређај улази у заштиту од смрзавања. Уређај ће се аутоматски пребацивати након завршетка заштите од смрзавања.

- 9) Проблем: ЛЕД приказује код квара "Е2"

Анализа:  
а) сензор собне температуре не ради или се оштети. Замените сензор температуре собне температуре од стране добављача услуге.

- 10) Проблем: ЛЕД приказује код грешке „Е3“

Анализа:  
а) сензор цијеви уља испаривача не ради или се оштети. Замените сензор цеви за намотавање испаривача од стране пружаоца услуга.

- 11) Проблем: ЛЕД приказује код грешке „Е4“

Анализа:  
а) упозорење за пуне воде Испустите воду.

## ЧИШЋЕЊЕ И ОДРЖАВАЊЕ

### Одржавање уређаја

1. Пре искључења напајања искључите уређај.
2. Обришите меком и сувом крпом. За чишћење ако је уређај веома прљав, користите млаку воду испод 40 ° Ц.
3. Никада не користите испарљиве материје као што су бензин или полирачки прашак за чишћење уређаја.

### Одржавање филтера за ваздух

Потребно је чистити ваздушни филтер сваке две недеље ако уређај ради у изузетно прашњавом окружењу. Очистите на следећи начин:

1. Прво зауставите уређај, гурните ваздушни филтер (Слика Ф).
2. Очистите и вратите филтер за ваздух.
3. Ако је прљавштина упадљива, оперите је раствором детерџента у млакој води. Након чишћења осушите је на хлађеном и хладном месту, а затим је поново поставите.

### Одржавање после употребе

1. Ако уређај неће користити дуже време, обавезно извуците гумени чеп горњег отвора за одвод хладњака (8) и отвор за одвод хладњака (9) отвора за одвод хладњака како бисте исправили воду. .
2. Уређај држите са вентилатором само пола дана током сунчаног дана како бисте апарат осушили унутра и спречили да се плијесни.
3. Зауставите уређај и извуците утикач, затим извадите батерије даљинског управљача и правилно складиштите уређај.
4. Очистите филтер за ваздух и поново га уметните.
5. Уклоните црева за ваздух и правилно их одложите, а рупу чврсто покријте.

### ТЕХНИЧКИ ПОДАЦИ:

Капацитет хлађења на БТУ: 9000 БТУ / сат  
Капацитет хлађења у ватима: 2600Е  
Потрошња енергије (хлађење) В: 950 В  
Запремина: <= 65дБ  
Проток ваздуха: 380 м3 / х  
Енергетски разред: А  
Тајмер: 24 сата  
Тежина Р290 расхладне течности: макс. 200 грама



Опрез, опасност од пожара  
НЕ бушите и не палите.  
Имајте на уму да расхладно средство можда не садржи мирис.  
Максимална количина пуњења расхладног средства:  
200г



За заштиту животне средине: молимо вас да одвојите картонске кутије и пластичне кесе и одложите их у одговарајуће канте за смеће. Коришћени уређај треба да буде испоручен на наменске сакупљане тачке због оштрих компоненти, што може утицати на животну средину. Немојте одлагати овај уређај у заједничку корпу за отпатке.

## ALLMANNA SÄKERHETSVILLKOR

## VIKTIGA SÄKERHETSINSTRUKTIONER LÄS NU OCH SPARA FÖR FRAMTID

1. Läs bruksanvisningen innan du använder enheten och följ instruktionerna i den. Tillverkaren ansvarar inte för skador orsakade av att använda enheten i strid med dess avsedda syfte eller felaktig användning.
2. Enheten är endast avsedd för hemmabruk. Använd inte för andra ändamål som inte är avsedda för det.
3. Enheten ska endast anslutas till ett vägguttag med ett jordat 220 240V ~ 50Hz. För att öka driftsäkerheten bör flera elektriska enheter inte anslutas till en strömkrets samtidigt.
4. Var försiktig när du använder enheten när barn är i närheten. Låt inte barn leka med enheten, låt inte barn eller personer som inte känner till enheten använda den.
5. **WARNING:** Denna utrustning får användas av barn över 8 år och personer med begränsad fysisk, sensorisk eller mental förmåga, eller personer som inte har erfarenhet eller kunskap om utrustningen, om detta görs under övervakning av en ansvarig person för deras säkerhet eller har fått dem information om säker användning av enheten och är medvetna om farorna med att använda den. Barn ska inte leka med utrustningen. Rengöring och underhåll av enheten bör inte utföras av barn, såvida de inte är över 8 år gamla och dessa aktiviteter utförs under övervakning.
6. Koppla alltid ur nätkontakten genom att hålla uttaget med handen efter användning. Dra inte i nätsladden.
7. Sänk inte ned kabeln, kontakten och hela enheten i vatten eller någon annan vätska. Utsätt inte enheten för atmosfäriska förhållanden (regn, sol, etc.) eller användning vid förhållanden med hög luftfuktighet (badrum, fuktiga husbilar).
8. Kontrollera regelbundet nätkabelns tillstånd. Om nätsladden är skadad bör den bytas ut av en specialistverkstad för att undvika fara.
9. Använd inte apparaten med en skadad nätsladd eller om den har tappats eller skadats på något annat sätt eller om den inte fungerar korrekt. Reparera inte enheten själv eftersom det finns risk för elektrisk stöt. Ta den skadade enheten till ett lämpligt servicecenter för kontroll eller reparation. Alla reparationer får endast utföras av auktoriserade servicepunkter. Felaktigt utförda reparationer kan orsaka allvarlig fara för användaren.
10. Placera enheten på en sval, stabil yta, borta från heta köksapparater som: elektrisk spis, gasbrännare, etc.
11. Se till att ingenting blockerar luftinloppet och utloppet på enheten
12. Använd enheten endast på en jämn yta för att förhindra att kondensen spinner ut
13. För att ge ytterligare skydd rekommenderas det att installera en restströmsenhet (RCD) i den elektriska kretsen med en nominell restström som inte överstiger 30 mA. Fråga en elektriker för detta.
14. Rengör luftfiltret regelbundet. Rengöringsfrekvensen beror på luftens renhet.
15. När du har stängt av maskinen, vänta minst 5 minuter innan du slår på den igen.
16. Använd inte enheten på soliga platser. När enheten överhettas tänds överhettningsskyddet på enheten.

17. För att säkerställa effektiv kylning bör ett avstånd på minst 60 cm hållas mellan enhetens sidoväggar och väggen eller möbler eller gardiner.

18. På grund av anordningens begränsade prestanda, om skillnaden mellan måltemperaturen och omgivningstemperaturen är för stor, kanske måltemperaturen inte uppnås.

19. Följ följande grundläggande försiktighetsåtgärder för att minska risken för brand, elektrisk stöt eller personskador vid användning av luftkonditioneringsapparaten:

a) Anslut till ett jordat uttag med 3 stift.

b) Ta inte bort jordningsspetsen.

c) Använd inte adaptern.

d) Använd inte en förlängningsladd.

e) Koppla bort luftkonditioneringsapparaten innan service.

f) Använd två eller flera personer för att flytta och installera luftkonditioneringsapparaten.

20. Använd inte andra medel som påskyndar avfrostnings- eller rengöringsprocessen än de som rekommenderas av tillverkaren.

21. Enheten ska förvaras i ett rum utan att ständigt använda antändningskällor, till exempel: öppen eld, gasapparater eller elektriska värmare.

#### FÖR FÖRSTAANVÄNDNING - (bild E)

Anslut anslutningarna till luftutloppskanalen enligt följande:

1. Förläng luftutloppskanalen (10) genom att dra ut de två ändarna på kanalen.
2. Skruva luftutloppskanalen (10) in i utloppskanalens (11) kontakt.
3. Anslut kontakten på luftutloppskanalen (11) till enheten.

#### ANMÄRKNINGAR:

1. Håll enheten minst 1 meter borta från TV eller radio, för att undvika elektromagnetisk störning.
2. Utsätt inte enheten för direkt solljus för att undvika att ytfärgen bleknar.
3. Luta inte enheten mer än 35 ° eller upp och ner när du transporterar. Om enheten har vridits under transporten, lägg ner den på rätt sätt och vänta 2-4 timmar innan du startar den.
4. Placera enheten på en plan yta med mindre än 5 ° lutning.
5. Enheten fungerar mer effektivt på vissa rum, välj den bästa platsen:
  - Bredvid ett fönster, en dörr eller ett franskt fönster.
  - Håll det nödvändiga avståndet från returluftslutloppet till väggen eller andra hinder minst 60 cm.
  - Förläng luftslangen för att säkerställa att andra änden av luftslangen har avstånd mellan fönsterdörren, eller franska fönstret eller vägghålet.
  - Luftutlopp eller intag kan inte blockeras av skyddsnet eller något hinder.

För att förlänga enhetens livslängd, dränera det kondenserade vattnet från de övre (8) och nedre (9) kylarens dräneringshålen innan enheten förvaras i slutet av säsongen.

#### ENHETSBEKRIVNING (bilder A och B)

- |  |                           |
|--|---------------------------|
| 1. Kontrollpanel                       | 2. Utlopp för kall luft   |
| 3. Signalreceptor                      | 4. Fjärrkontroll          |
| 5. Transporthandtag                    | 6. Avgasrör               |
| 7. Förångarinlopp                      | 8. Övre kylare avloppshål |
| 9. Nedkylare avloppshål                | 10. Luftutloppskanal      |
| 11. Anslutning till luftutloppskanalen | 12. Fönsteravgasadapter   |

#### KONTROLLPANEL (bild C)

- |                                 |                                 |
|---------------------------------|---------------------------------|
| A. Strömbrytare ON / OFF        | B. Fläkt hastighetsknapp        |
| C. Mode-knapp                   | D. Timer / temperatur upp-knapp |
| E. Timer / temperatur ned-knapp | F. Knapp för låg hastighet      |
| G. Hög hastighetsknapp          | H. Strömindikator               |
| I. Viloläge och barnlås         | J. Automatisk läge              |
| K. Cool mode                    | L. Avfuktningläge               |
| M. Fläktiläge                   | N. Tintknapp                    |

## REMOTE CONTROLLER - bild D

Fjärrkontrollen sänder signaler till systemet.

Knapp "A" - apparaten startas när den är påslagen eller stoppas när den är i drift, om du trycker på den här knappen.

Knapp "C" - tryck på den för att välja driftsläge: "J", "K", "L" eller "M".

Knapp "B" - tryck på den för att välja fläkthastighet i följd.

Knapp "D" / "E" - tryck för att justera rumstemperaturen och timern.

Knapp "I" - tryck för att ställa in eller avbryta viloläge.

Knapp "N" - tryck för att ställa in tiden för automatisk av och automatiskt på.

Knapp "O" - tryck för att ställa in eller avbryta svängningsläge för lameller.

## DRIFT AV KONTROLLPANELEN

AUTOMATISK / KYL / Tork / ventilator

1. Slå på enheten.

a) Anslut enheten och piper sedan en gång. Strömlampan "H" är tänd.

b) Tryck på "A" -knappen så slås enheten på.

c) LED-diod visar rumstemperatur och börjar arbeta i automatiskt läge.

2. Välj driftsläge

Tryck på "C" -knappen för att välja önskat driftsläge efter sekvens:

Automatiskt läge "J" -> Kyläge "K" -> Torkläge "L" -> Fläktläge "M."

3. Justera temperaturen

Temperaturen kan ställas in inom intervallet 15 ° -31 ° C. Tryck på "D" eller "E" -knappen för att öka eller sänka temperaturen med 1 ° C genom att trycka en gång. Enhetens LED-panel visar mättemperaturen i 5 sekunder och visar sedan rumstemperaturen.

4. Justera fläkthastigheten

Tryck på knappen "B" för att välja önskad fläkthastighet visas efter sekvens:

Låg hastighet "F" -> Hög hastighet G

5. Kraft

När du trycker på "A" -knappen igen ljuder enheten "di", strömindikatorn "H" slocknar och slutar fungera.

6. Tryck på den här knappen "I" för att gå till enhetens viloläge.

7. Tryck på denna knapp "N" för att ställa in en tidsinställd avstängning.

8. Tryck på den här knappen "O" för att ställa in svängningssvängningen uppåt.

Varje läge arbetsprincip:

AUTO "J" -läge:

När funktionen "J" har valts, fungerar inomhustemperaturgivaren automatiskt och den väljer ett av driftslägen nedan:

- När rumstemperaturen  $\geq 24$  °C väljer enheten automatiskt kylläget "K" -läge.

eller

- När rumstemperaturen  $< 24$  °C väljer enheten automatiskt hög fläkthastighetsläge "M".

Avfukta "L" -läget:

1. Den upp centrifugala fläkten körs med låg hastighet och hastigheten kan inte justeras.

2. Kompressorn stannar efter att ha kört 8 minuter och kör sedan igen efter 6 minuter.

3. Enheten antar avfuktningsläge för konstant temperatur och temperaturen är inte effektiv.

WARNING:

När enheten används i olika förhållanden med fuktighet, bör det nedkylare avloppshålet (9) ständigt vara öppet och säkerställa konstant dränering.

COOL "K" -läge:

1. När rumstemperaturen är högre än inställd temperatur på kontrollpanelen, börjar kompressorn att köras.

2. När rumstemperaturen är lägre än inställd temperatur på kontrollpanelen, arbetar kompressorstoppet och den övre fläkten med den ursprungliga inställda hastigheten.

Fläkt "M..." -läge

.1. Den upp centrifugala fläkten går med inställd hastighet och kompressorn går inte.

2. Justeringen av temperaturen är inte effektiv.

Timerfunktion "N":

1. Tryck på "N" -knappen för att ställa in automatisk avstängningstid medan enheten körs.

2. Tryck på "N" -knappen för att ställa in automatisk på-tid när enheten är klar.

3. Tiden kan justeras inom intervallet 1 timme till 24 timmar genom att trycka på knappen "D" ( + ) eller "E" ( - ) .

Viloläge "I" -funktion och barnlåsfunktion:

1. Viloläget fungerar när enheten är under kylningsläget "K".

2. Tryck på knappen "I" i svalt läge "K", då fungerar enheten under viloläge och centrifugalfläkten upp går automatiskt till låg hastighet. Den inställda temperaturen kommer att öka med 1 °C efter en timme och öka med 2 °C efter två timmar. Efter sex timmar slutar enheten att köra.

3. Tryck på barnlåsknappen "I" i tre sekunder för att alla andra funktioner inte ska kunna användas. Tryck på i 3 sekunder igen för att låsa upp barnlåsfunktionen samtidigt som alla andra funktioner kommer att kunna användas igen.

Vrid "O" -läge:

När enheten är på, tryck på knappen "O", den vertikala spjället slås på eller av. När den är på, kan spjället svänga fram och tillbaka inom 60 grader. Tryck på knappen "O" igen så kommer spjället att sluta svänga.

Lägga märke till:

Huvudkontrollkortet har minnesfunktion, när enheten är redo att köras men i stoppstatus kan huvudkontrollkortet memorera initieringen av arbetsläget. När du slår på enheten fungerar den som samma arbetsfunktion som förra gången, utan att behöva återställa arbetsläget igen. (Detta villkor är inte tillgängligt när enheten är i AUTO-läge "J".)

## FJÄRRKONTROLL

1. Skjut bakstycket för att öppna och ta av isoleringsfilmen på batterierna.

2. Sätt batterierna in i spåret, måste motsvara tecknen "+" och "-" på fjärrkontrollen.

3. Ta ut batterierna under lång tid utan användning.

4. För att förhindra miljöförorening, ta ut de använda batterierna och kassera säkerheten och på lämpligt sätt.

För att använda enheten, rikta fjärrkontrollen (..) mot signalreceptorn. Fjärrkontrollen kommer att använda enheten på avstånd 5 meter när den pekar på enhetens signalreceptor.

## SKYDDANORDNINGAR

Skyddsanordningen kan lösa och stoppa apparaten i de fall som anges nedan:

1. vid kylningsläge: inomhustemperaturen är över 43 ° C (109 ° F)

2. vid kylningsläge: rumstemperatur är under 15 ° C (59 ° F)

3. vid avfuktningläge: rumstemperaturen är under 15 ° C (59 ° F).

Om enheten körs i kylning "K" eller avfuktar "L" -läge med dörr eller fönster öppnat under lång tid när relativ luftfuktighet är över 80%, kan dagg droppa ner från uttaget.

Skyddsanordningen fungerar i följande fall:

1. Starta om enheten omedelbart efter att ha slutat arbetet eller ändrat det valda läget medan du arbetar, måste du vänta 3 minuter.

2. Om kontakten har tagits bort, efter att enheten har startats om återgår till originalläget, måste TIMER PÅ och TIMER AV - ställas in igen.

ANMÄRKNING: det finns kondensvattenåtervinning dold i denna enhet. Kondensvattnet hålls delvis återvinning

mellan kondensorn och vattenplattan. När vattennivån stiger till den övre nivån tänds flottörkopplaren och vattenindikatorn (E4) för att påminna om dräneringsvatten. Avbryt strömförsörjningen, flytta apparaten till ett lämpligt ställe, ta bort avtappningspluggen, töm vatten helt. Sätt tillbaka kontakten efter avtappningen, annars kan apparaten läcka och göra ditt rum vått.

Om apparaten placeras i ett läge som tillåter avloppsvatten kan du också ansluta avloppshålet till dräneringsporten för att tappa vattnet. Avloppsrör läggs till i satsen, med innerdiameter 9 mm, ytterdiameter 12 mm, material: PVC.

#### Felsökning

1) Problem: Fungerar inte.

Analys:

a) kanske skyddet utlöses eller säkringen blåses, vänta i 3 minuter och börja igen, skyddsanordningen kan förhindra att enheten fungerar.

c) kanske batterier i fjärrkontrollen är slut.

d) kanske är kontakten inte ordentligt ansluten.

2) Problem: fungerar bara en kort tid

Analys:

a) om den inställda temperaturen ligger nära rumstemperatur kan du sänka den inställda temperaturen.

b) kanske luftutloppet är blockerat av hinder. Ta bort hindret.

3) Problem: Fungerar men svalnar inte

Analys:

a) kanske dörr eller fönster är öppna.

b) kanske på nära avstånd finns det en annan apparat som värmearbetar som värmare eller lampa, etc.

c) luftfiltret är smutsigt, rengör det.

d) luftutloppet eller intaget är blockerat.

f) inställd temperatur är för hög.

4) Problem: Vattenläcka under rörelse.

Analys:

a) tappa kondensatet innan du flyttar.

b) För att undvika vattenläckage, placera enheten på plan mark.

5) Problem: Fungerar inte och vattenindikatorn "E4"

Analys:

a) dra ut gummipluggen för att tappa vatten.

b) om det ofta är i detta tillstånd, kontakta kvalificerad servicetekniker.

#### Felsökning

6) Problem: Enheten kan inte startas.

Analys:

a) kanske inte ansluten. Så anslut det.

b) kanske skador på stickkontakt eller uttag. Byt ut av tjänsteleverantören.

c) kanske säkring trasig. Byt ut säkringen av tjänsteleverantören (specifikation: 3,15A / 250VAC).

7) Problem: Enheten stannar automatiskt.

Analys:

a) tidsinställning eller inställd temperatur uppnådd. Starta om den eller vänta på auto-switch.

8) Problem: ingen kall luft under COOL "K" -läget.

Analys:

a) rumstemperatur är lägre än inställd temperatur. Det är ett normalt fenomen, maskinen växlar automatiskt medan rumstemperaturen är högre än den inställda temperaturen.

b) Enheten går in i frostskyddet. Enheten växlar automatiskt efter att frostskyddet är slut.

9) Problem: LED visar felkod "E2"

Analys:

a) sensor i rumstemperatur misslyckas eller skadas. Byt ut rumstemperatursensorn av tjänsteleverantören.

10) Problem: LED visar felkod "E3"

Analys:

a) förångarens oljerörssensor misslyckas eller skadas. Byt ut förångarspolrörssensorn av tjänsteleverantören.

11) Problem: LED visar felkod "E4"

Analys:

a) full vattenvarning. Tappa ur vattnet.

## STÄDNING OCH UNDERHÅLL

### Enhetsunderhåll

1. Stäng av enheten först innan du kopplar ur strömförsörjningen.
2. Torka av med en mjuk och torr trasa. Använd ljummet vatten under 40C för att rengöra om apparaten är mycket smutsig.
3. Använd aldrig flyktiga ämnen som bensin eller poleringspulver för att rengöra enheten.

### Underhåll av luftfilter

Det är nödvändigt att rengöra luftfiltret varannan vecka om enheten arbetar i en extremt dammig miljö. Rengör enligt följande:

1. Stoppa enheten först, tryck upp luftfiltret (Bild F).
2. Rengör och sätt tillbaka luftfiltret.
3. Om smutsen är synlig, tvätta den med en lösning av tvättmedel i ljummet vatten. Torka det efter en rengöring på ett skuggat och svalt ställe och sätt sedan tillbaka det.

### Underhåll efter användning

1. Om enheten inte kommer att användas under längre tid, se till att dra ut gummipluggen i det övre kylvattenavloppshålet (8) och gummiproppens nedkylningsavloppshål (9) i avloppsöppningen för att tömma vattnet.
2. Håll apparaten igång med fläkten endast en halv dag under en solig dag för att torka apparaten inuti och förhindra att den blir mögelaktig.
3. Stoppa enheten och dra ut nätsladdkontakten, ta sedan ut batterierna på fjärrkontrollen och förvara enheten ordentligt.
4. Rengör luftfiltret och installera det igen.
5. Ta bort luftslangarna och förvara dem ordentligt och täck hålet tätt.

### TEKNISK DATA:

Kylkapacitet vid BTU: 9000 BTU / timme

Kylkapacitet i watt: 2600

Energiförbrukning (kylning) W: 950 W

Volym: <= 65dB

Luftflöde: 380 m<sup>3</sup> / h

Energiklass: A

Timer: 24 timmar

Kylvätske R290: max. 200 gram



Varning, risk för brand.

Gör INTE igenom eller bränna.

Var medveten om att köldmediet kanske inte innehåller en lukt.

Maximalt köldmediumsbelopp: 200 g.



Vi sköter om miljön. Överlämna förpackningar i kartong till pappersavfall. Polyetylensäcker (PE) slängs i avfallsbehållare för plast. Man bör lämna en gammal apparat till en riktig återvinningscentral, eftersom farliga komponenter i apparaten kan orsaka fara till miljön. En elektrisk apparat bör lämnas för att minska förnyad användning av denna. Om apparaten innehåller batterier, bör man ta bort dem och lämna dem separat till återvinningscentraler.

## УКРАЇНСЬКА

### ЗАГАЛЬНІ УМОВИ БЕЗПЕКИ

ВАЖЛИВІ ІНСТРУКЦІЇ З БЕЗКОШТОВНОСТІ ЧИТАЙТЕ ДУЖКО І ЗАБЕЗПЕЧЕННЯ ДЛЯ БУДУЩЕГО

1. Перш ніж користуватися пристроєм, прочитайте посібник з експлуатації та

- дотримуйтесь інструкцій, що містяться в ньому. Виробник не несе відповідальності за збитки, спричинені використанням пристрою всупереч його передбачуваному призначенню або неправильній експлуатації.
2. Пристрій призначений лише для домашнього використання. Не використовуйте для інших цілей, які не призначені за призначенням.
  3. Пристрій слід підключати лише до розетки змінного струму із заземленим 220 240 В ~ 50 Гц. Для підвищення експлуатаційної безпеки кілька електричних пристроїв не повинні підключатися одночасно до одного ланцюга струму.
  4. Будьте дуже обережні, коли користуєтесь пристроєм, коли діти поруч. Не дозволяйте дітям грати з пристроєм, не дозволяйте дітям або людям, незнайомим пристроєм, користуватися ним.
  5. **ПОПЕРЕДЖЕННЯ:** Цим обладнанням можуть користуватися діти старше 8 років та люди з обмеженими фізичними, сенсорними або розумовими здібностями, або люди, які не мають досвіду чи знань щодо обладнання, якщо це робиться під наглядом відповідальної особи. Для їх безпеки або надано їм інформацію про безпечне користування пристроєм та знають про небезпеку його використання. Діти не повинні грати з обладнанням. Чищення та обслуговування приладу не повинно здійснюватися дітьми, якщо вони не перевищують 8 років і ці заходи проводяться під наглядом.
  6. Завжди від'єднуйте шнур живлення, тримаючи розетку рукою після використання. НЕ тягніть за шнур живлення.
  7. Не занурюйте кабель, вилку та весь пристрій у воду або будь-яку іншу рідину. Не піддавайте прилад атмосферним умовам (дощ, сонце тощо) і не використовуйте в умовах підвищеної вологості (ванні кімнати, вологі мобільні будинки).
  8. Періодично перевіряйте стан шнура живлення. Якщо шнур живлення пошкоджений, його слід замінити в спеціалізованому ремонтному центрі, щоб уникнути небезпеки.
  9. Не використовуйте прилад із пошкодженим шнуром живлення або якщо він був випав або пошкоджений будь-яким іншим способом або якщо він не працює належним чином. Не ремонтуйте пристрій самостійно, оскільки є ризик ураження електричним струмом. Віднесіть пошкоджений пристрій у відповідний сервісний центр для перевірки чи ремонту. Всі ремонти можуть проводити тільки авторизовані сервісні пункти. Неправильно виконаний ремонт може становити серйозну небезпеку для користувача.
  10. Поставте прилад на прохолодну стійку поверхню, подалі від гарячих кухонних приладів, таких як: електрична плита, газовий конфорка тощо.
  11. Переконайтесь, що ніщо не блокує вхід і вихід повітря в пристрій
  12. Використовуйте пристрій лише на рівній поверхні, щоб запобігти розливу конденсату
  13. Для забезпечення додаткового захисту доцільно встановити в електричному ланцюзі пристрій залишкового струму (RCD) з номінальним залишковим струмом, що не перевищує 30 мА. Запитайте про це електрика.
  14. Регулярно чистіть повітряний фільтр. Частота очищення залежить від чистоти повітря.



15. Після вимкнення машини зачекайте принаймні 5 хвилин, перш ніж увімкнути її.
16. Не використовуйте прилад у сонячних місцях. Коли пристрій перегріється, захист від перегріву увімкнеться.
17. Для забезпечення ефективного охолодження слід зберігати відстань не менше 60 см між бічними стінками пристрою та стіною або меблями чи шторами.
18. Через обмежені показники роботи пристрою, якщо різниця між цільовою температурою та температурою навколишнього середовища занадто велика, цільова температура може бути досягнута.
19. Щоб зменшити ризик пожежі, ураження електричним струмом або травм при користуванні кондиціонером, дотримуйтесь таких основних заходів безпеки:
  - а) Підключіть до заземленої розетки за допомогою 3-х штифтів.
  - б) Не знімайте заземлюючий зубчик.
  - в) Не використовуйте адаптер.
  - г) Не використовуйте подовжувач.
  - д) Перед обслуговуванням відключіть кондиціонер.
  - ф) Використовуйте двох або більше людей для переміщення та встановлення кондиціонера.
20. Не використовуйте засоби, що прискорюють процес розморожування чи очищення, крім тих, які рекомендовані виробником.
21. Пристрій слід зберігати в приміщенні без постійно діючих джерел займання, наприклад: відкритого вогню, газових приладів або електричних нагрівачів.

#### ДО ПЕРШОГО ВИКОРИСТАННЯ - (малюнок Е)

Підключіть з'єднувачі до витяжного каналу наступним чином:

1. Подовжте витяжний канал (10), витягнувши два кінці каналу.
2. Прикрутіть випускний канал (10) повітря до з'єднувача витяжного каналу (11).
3. Підключіть до пристрою з'єднувач витяжного каналу (11).

#### ЗАМОВЛЕННЯ:

1. Тримайте прилад не менше 1 метра від телевізора або радіо, щоб уникнути електромагнітних перешкод.
  2. Не піддавайте прилад під прямим сонячним світлом, щоб уникнути вицвітання кольору поверхні.
  3. Під час транспортування не нахиляйте пристрій більше ніж на 35 ° або догори дном. Якщо пристрій перевернуто під час транспортування, поставте його правильно та зачекайте 2-4 години перед його запуском.
  4. Поставте прилад на рівну поверхню з нахилом менше 5 °.
  5. Пристрій працює ефективніше в певних приміщеннях, виберіть найкраще місце:
    - Поруч з вікном, дверима чи французьким вікном.
    - Тримайте необхідну відстань від вихідного повітря до стіни або інших перешкод не менше 60 див.
    - Подовжте повітряний шланг, щоб переконатися, що інший кінець шланга має зазор між дверцятами вікна, французьким вікном або стіновим отвором.
    - Випускний отвір або випуск повітря не можуть бути заблоковані захисною сіткою чи будь-якими перешкодами.
- Щоб продовжити термін експлуатації пристрою, злийте конденсовану воду з верхнього (8) та нижнього (9) отворів для зливу холодильника перед тим, як поставити пристрій на зберігання в кінці сезону.

#### ОПИС ОБЛАДНАННЯ (фотографії А та В)

- |                                      |   |
|--------------------------------------|---|
| 1. Панель управління                 | 2. Випуск холодного повітря             |
| 3. Рецептор сигналу                  | 4. Пульт дистанційного керування        |
| 5. Транспортна ручка                 | 6. Випускний канал                      |
| 7. Вхід випарника                    | 8. Зливний отвір верхнього охолоджувача |
| 9. Отвір для зливу холодильника вниз | 10. Витяжний канал для повітря          |
| 11. З'єднувач витяжного каналу       | 12. Адаптер віконного витягу            |

## ПАНЕЛ КОНТРОЛЬ (малюнок С)

A. Кнопка живлення ON / OFF

C. Кнопка режиму

E. Кнопка зниження таймера / температури

G. Кнопка високої швидкості

I. Кнопка сну та блокування дитини

K. Прохолодний режим

M. Режим вентилятора

O. Кнопка коливань

B. Кнопка швидкості вентилятора

D. Кнопка таймера / підвищення температури

F. Кнопка низької швидкості

H. Індикатор живлення

J. Автоматичний режим

L. Осушений режим

N. Кнопка таймера

P. Блокування дитини

## ВИДАЛЕНО КОНТРОЛЕР - малюнок D

Пульт дистанційного керування передає сигнали системі.

Кнопка "A" - прилад запуститься, коли він підключений до напруги або буде зупинений під час роботи, якщо натиснути цю кнопку.

Кнопка "C" - натисніть її, щоб вибрати режим роботи: "J", "K", "L" або "M".

Кнопка "B" - натисніть її, щоб вибрати послідовно швидкість вентилятора.

Кнопка "D" / "E" - натисніть, щоб регулювати температуру в приміщенні та таймер.

Кнопка "Я" - натисніть, щоб встановити або скасувати режим сну.

Кнопка "N" - натисніть, щоб встановити час автоматичного вимкнення та автоматичного увімкнення.

Кнопка "O" - натисніть, щоб встановити або скасувати режим розпалу жалюзі.

## Експлуатація панелі управління

АВТОМАТИЧНІ / ОХЛАДНІ / СУХІ / Вентилятори

### 1. Увімкніть пристрій.

- Підключіть пристрій, а потім пристрій подає звуковий сигнал один раз. Індикатор живлення "H" горить.
- Натисніть кнопку "A", тоді пристрій увімкнеться.
- Світлодіодний діод відображає кімнатну температуру і починає працювати в автоматичному режимі.

### 2. Виберіть режим роботи

Натисніть кнопку "C", щоб вибрати потрібний режим роботи за послідовністю:

Автоматичний режим "J" -> Режим охолодження "K" -> Режим сушіння "L" -> Режим вентилятора "M".

### 3. Відрегулюйте температуру

Температуру можна встановити в межах 15 ° -31 ° C. Натисніть кнопку «D» або «E», щоб збільшити або зменшити температуру на 1 ° C, натиснувши один раз. Світлодіодна панель пристрою показує цільову температуру протягом 5 секунд, а потім відображає кімнатну температуру.

### 4. Відрегулюйте швидкість вентилятора

Натисніть кнопку "B", щоб вибрати потрібну швидкість випромінювання вентилятора за послідовністю:

Низька швидкість "F" -> Висока швидкість G

### 5. Потужність

При повторному натисканні кнопки «A» пристрій пролунає «ді», індикатор живлення «H» згасне і припинить роботу.

6. Натисніть цю кнопку "Я", щоб увійти в режим сну пристрою.

7. Натисніть цю кнопку "N", щоб встановити тимчасове відключення.

8. Натисніть цю кнопку "O", щоб встановити коливання повітряних коливань вгору.

Принцип роботи кожного режиму:

#### Автоматичний режим "J":

Після вибору операції "J" датчик температури в приміщенні працює автоматично, і він вибирає один із режимів роботи нижче:

- Коли температура в приміщенні  $\geq 24$  , пристрій автоматично вибере режим прохолодного режиму "K".

або

- Коли температура в приміщенні  $< 24$  , прилад автоматично вибере режим високої швидкості вентилятора "M..".

#### Осушити режим "L":

1. Верхній відцентровий вентилятор буде працювати з низькою швидкістю, і швидкість регулювати не можна.

2. Компресор зупиниться після роботи 8 хвилин, після чого знову запуститься через 6 хвилин.

3. Пристрій приймає режим постійної осушки температури, а регулювання температури не ефективно.

## УВАГА:

Під час роботи пристрою в умовах різної вологості отвір для зливу (9) нижнього кулера повинен постійно відкриватися та забезпечувати постійний стік води.

### Режим COOL "K":

1. Коли температура в приміщенні вище встановленої температури на пульті управління, компресор починає працювати.
2. Коли температура в приміщенні нижча за встановлену температуру на панелі управління, зупинка компресора та верхній вентилятор працюють з початковою заданою швидкістю.

Режим вентилятора "M..".

1. Встановлений відцентровий вентилятор працює з заданою швидкістю, а компресор не працює..
2. Регулювання температури не ефективно.

### Робота таймера "N":

1. Натисніть кнопку «N», щоб встановити час автоматичного вимкнення під час роботи пристрою.
2. Натисніть кнопку «N», щоб встановити час автоматичного ввімкнення, поки пристрій готовий.
3. Час можна регулювати в межах від 1 години до 24 годин, натискаючи кнопку "D" ( + ) або "E" ( - ) .

### Режим сплячого режиму "Я" та функція блокування дитини:

1. Режим сну працює, коли пристрій знаходиться в режимі охолодження "K".
2. Натисніть кнопку «I» в прохолодному режимі «K», тоді прилад буде працювати в режимі сну, і вгору відцентровий вентилятор автоматично перейде на низьку швидкість. Встановлена температура зростає на 1 бу через одну годину, а на 2 increase через дві години. Через шість годин пристрій перестане працювати.
3. Натисніть дочірню кнопку "Я" на три секунди, щоб усі інші функції не змогли використовувати. Натискаючи знову на 3 секунди, розблокується функція блокування дитини, тим часом усі інші функції зможуть знову використовуватись.

### Робота режиму "O":

Коли пристрій увімкнено, натисніть кнопку "O", вертикальна жалюзі увімкнеться або вимкнеться. Коли він увімкнений, жалюзі можуть розгойдуватися вперед і назад протягом 60 градусів. Знову натисніть кнопку "O", жалюзі перестануть розгойдуватися.

### Зверніть увагу:

Основна плата управління має функцію пам'яті, коли пристрій готовий до роботи, але в стані зупинки, головна плата управління може запам'ятати ініціалізацію робочого режиму. Коли ви увімкнете прилад, він буде працювати таким же чином, як і минулого разу, не потрібно повторно скидати робочий режим. (Ця умова недоступна, коли пристрій перебуває в режимі AUTO "J".)

## ПУЛЬТ ДИСТАНЦІЙНОГО КЕРУВАННЯ

1. Відсуньте задню кришку, щоб відкрити та зніміть ізоляційну плівку на батареях.
2. Поставте акумулятори всередині гнізда, вони повинні відповідати знакам "+" та "-" на пульті дистанційного керування.
3. Тривалий час без використання виймайте акумулятори.
4. Щоб запобігти забрудненню навколишнього середовища, вийміть використані акумулятори та утилізуйте безпеку та належним чином.

Щоб керувати пристроєм, націліть пульт дистанційного керування (..) на рецептор сигналу. Пульт дистанційного керування буде керувати пристроєм на відстані 5 метрів при вказівці на сигнальний рецептор пристрою.

## ЗАХИСТОВІ ПРИСТРОЇ

Захисний пристрій може відключити і зупинити прилад у випадках, перелічених нижче:

1. при режимі охолодження: температура повітря в приміщенні перевищує 43 ° C (109 ° F)
2. при режимі охолодження: кімнатна температура нижче 15 ° C (59 ° F)
3. в режимі осушення повітря: кімнатна температура нижче 15 ° C (59 ° F).

Якщо пристрій працює в режимі охолодження «K» або знежирює режим «L», коли двері чи вікна тривалий час відкриваються, коли відносна вологість повітря вище 80%, роса може стікати з розетки.

Захисний пристрій буде працювати в таких випадках:

1. Перезавантаживши пристрій відразу після припинення роботи або зміни вибраного режиму під час роботи, потрібно почекати 3 хвилини.
2. Якщо вилку було вилучено, після перезавантаження пристрій повернеться до початкового режиму, TIMER ON і TIMER OFF - потрібно встановити знову.

**ЗАБЕЗПЕЧЕННЯ:** в цьому приладі захована переробка конденсаційної води. Вода, що конденсується, частково зберігається утилізацією між конденсатором і водою. Коли рівень води піднімається до верхнього рівня, вимикається поплавковий вимикач та індикатор повної води (E4), щоб нагадувати про злив води. Відключіть джерело живлення, перенесіть прилад у відповідне місце, вийміть зливну пробку, повністю злийте воду. Після зливу заново встановіть штепсельну вилку, інакше прилад може просочитися і зробити вашу кімнату мокрою.

Якщо прилад розміщений у положенні, що сприймає зливну воду, ви також можете підключити зливний отвір до зливної отвори для зливу води. У комплект додається водостічна труба, внутрішній діаметр 9 мм, зовнішній діаметр 12 мм, матеріал: ПВХ.

#### Вирішення проблем

1) Біда: не працює.

Аналіз:

а) можливо, вимикає захисний засіб або запобіжник, зачекайте 3 хвилини та запустіть знову, пристрій протектора може перешкоджати роботі пристрою.

в) можливо батареї в пульті дистанційного керування вичерпані.

г) можливо, штекер неправильно підключений.

2) Проблема: працює лише короткий час

Аналіз:

а) якщо встановлена температура близька до кімнатної, ви можете понизити задану температуру.

б) можливо випуск повітря заблокований перешкодою. Зніміть перешкоду.

3) Біда: працює, але не охолоджує

Аналіз:

а) можливо, двері чи вікно відкриті.

б) можливо, на близькій відстані є інший прилад, який працює тепло, як нагрівач або лампа тощо.

в) повітряний фільтр забруднений, будь ласка, очистіть його.

г) випуск повітря або впуск заблокований.

ф) задана температура занадто висока.

4) Неприсмноті: Вітик води під час руху.

Аналіз:

а) злийте конденсат перед переміщенням.

б) щоб уникнути витoku води, будь ласка, розташуйте пристрій на рівній землі.

5) Неприсмноті: не працює та індикатор повного наповнення "E4"

Аналіз:

а) витягніть гумову пробку для зливу води.

б) якщо він часто знаходиться в такому стані, зверніться до кваліфікованого сервісного технічного персоналу.

#### Вирішення проблем

6) Проблема: пристрій не запускається.

Аналіз:

а) може не підключено. Отже, підключіть до нього.

б) можливо пошкодження штепсельної вилки або розетки. Замініть постачальника послуг.

в) можливо запобіжник зламаний. Замініть запобіжник постачальником послуг (специфікація: 3,15A / 250VAC).

7) Проблема: Пристрій автоматично зупиняється.

Аналіз:

а) час вимкнення або встановлена температура. Перезапустіть його або почекайте автоматичного перемикачання.

8) Проблема: відсутність холодного повітря в режимі COOL "K".

Аналіз:

а) кімнатна температура нижче встановленої температури. Це нормальне явище, машина автоматично перемикається, коли температура в приміщенні буде вище встановленої температури.

б) Пристрій входить у захист від морозу. Пристрій автоматично перемикається після закінчення захисту від замерзання.

9) Проблема: світлодіод відображає код відмови "E2"

Аналіз:

а) датчик температури кімнатної температури виходить з ладу або пошкоджується. Замініть датчик температури в приміщенні постачальником послуг.

10) Проблема: світлодіод відображає код відмови "E3"

Аналіз:

а) Датчик масляної труби випарника вийшов з ладу або пошкоджений. Замініть датчик труби котушки випарника у постачальника послуг.

11) Проблема: світлодіод відображає код відмови "E4"

Аналіз:

а) попередження про повну воду Злийте воду.

#### ОЧИЩЕННЯ І ОБСЛУГОВУВАННЯ

Технічне обслуговування пристроїв

1. Перш ніж відключити живлення, вимкніть пристрій.

2. Протріть м'якою і сухою ганчіркою. Для очищення використовуйте теплу воду нижче 40C, якщо пристрій дуже забруднений.

3. Ніколи не використовуйте для очищення пристрою летючу речовину, таку як бензин або полірувальний порошок.

Технічне обслуговування повітряного фільтра

Чистити повітряний фільтр потрібно кожні 2 тижні, якщо пристрій працює в надзвичайно запиленому середовищі. Очистіть так:

1. Спершу зупиніть пристрій, натисніть на повітряний фільтр (малюнок F).
2. Очистіть і встановіть наново повітряний фільтр.
3. Якщо бруд помітна, змийте її розчином миючого засобу в теплої води. Після очищення висушіть його в затіненому та прохолодному місці, після чого встановіть наново.

Технічне обслуговування після використання

1. Якщо пристрій не буде користуватися довше, обов'язково витягніть гумову пробку верхнього зливного отвору кулера (8) та гумову пробку для зливу отвору (9) для зливного отвору кулера, щоб злити воду. .
2. Тримайте прилад, який працює з вентилятором лише півдня протягом сонячного дня, щоб висушити прилад всередині і не допустити появи цвілі.
3. Вимкніть пристрій і вийміть вилку шнура живлення, потім вийміть батарейки пульта дистанційного керування та зберігайте пристрій належним чином.
4. Очистіть повітряний фільтр і встановіть його наново.
5. Зніміть повітряні шланги та складіть їх належним чином, а отвір щільно закрийте.

ТЕХНІЧНІ ДАНІ:

Потужність охолодження в БТУ: 9000 BTU / година

Потужність охолодження у ватах: 2600

Витрата енергії (охолодження) Вт: 950 Вт

Об'єм: <= 65 дБ

Потік повітря: 380 м<sup>3</sup> / год

Енергетичний клас: А

Таймер: 24 години

Вага теплоносія R290: макс. 200 грам



Обережність, небезпека пожежі.

НЕ проколюйте та не горіть.

Майте на увазі, що холодоагент може не містити запаху.

Максимальна кількість заряду холодоагенту: 200г.



У інтересах навколишнього середовища.

Будь ласка, віддайте картонну упаковку в місце збору мукулатури. Політиленові мішки (PE) викинути в смітник для пластику. Відпрацьований пристрій повинен бути відправлений у відповідну точку зберігання, тому що в пристрої є небезпечні інгредієнти, які можуть становити загрозу навколишньому середовищу. Електричний пристрій потрібно повернути так, щоб обмежити його повторне використання. Якщо у пристрої є батарейки, то потрібно їх витягнути і віддати до відповідного пункту.

македонски

## ОПШТИ УСЛОВИ ЗА БЕЗБЕДНОСТ

ВАНИ ИНСТРУКЦИИ ЗА БЕЗБЕДНОСТ ПРОЧИТАЈТЕ Внимателно и заштедете за ИДНИНА

1. Пред да го користите уредот, прочитајте го упатството за работа и следете ги упатствата содржани во него. Производителот не одговара за штети предизвикани од користење на уредот спротивно на наменетата намена или неправилно работење.
2. Уредот е само за домашна употреба. Не користете за други цели што не се за наменетата цел.
3. Уредот треба да се поврзе само со штекер за напојување со заземјен 220 240V ~ 50Hz. За да се зголеми безбедноста во работењето, повеќе електрични уреди не треба да бидат поврзани со едно струјно коло во исто време.
4. Користете голема претпазливост кога го користите уредот кога децата се во близина. Не дозволувајте децата да си играат со уредот, не дозволувајте деца или луѓе кои не се запознати со уредот да го користат.
5. ПРЕДУПРЕДУВАЕ: Оваа опрема може да ја користат деца над 8 години и лица со ограничена физичка, сензорна или ментална способност, или луѓе кои немаат искуство или познавање на опремата, доколку тоа е направено под надзор на

- одговорно лице за нивната безбедност или им е дадена информација за безбедно користење на уредот и се свесни за опасностите од неговото користење. Децата не треба да си играат со опрема. Чистењето и одржувањето на уредот не треба да го вршат деца, освен ако не се над 8 години и овие активности се вршат под надзор.
6. Секогаш исклучувајте го приклучокот за напојување со држење на штекерот со раката по употребата. НЕ влечете го кабелот за напојување.
  7. Не го потовајте кабелот, приклучокот и целиот уред во вода или друга течност. Не го изложувајте го уредот на атмосферски услови (дожд, сонце и слично) или користете во услови на висока влажност (бањи, влажни домови за мобилни телефони).
  8. Периодично проверувајте ја состојбата на кабелот за напојување. Ако кабелот за напојување е оштетен, тој треба да се замени со специјализирана продавница за поправка за да се избегне опасност.
  9. Не користете го апаратот со оштетен кабел за напојување или ако е испуштен или оштетен на кој било друг начин или ако не работи правилно. Не поправајте го уредот сами, бидејќи постои опасност од електричен удар. Понесете го оштетениот уред во соодветен сервисен центар за проверка или поправка. Сите поправки може да ги извршуваат само овластени сервисни точки. Неправилно извршените поправки можат да предизвикаат сериозна опасност за корисникот.
  10. Поставете го уредот на ладна, стабилна површина, подалеку од топли кујнски уреди како што се: електричен шпорет, горилник за гас, итн.
  11. Осигурете се дека ништо не го блокира влезот на воздухот и излезот на уредот
  12. Користете го уредот само на рамна површина за да спречите излевање на кондензацијата
  13. За да се обезбеди дополнителна заштита, препорачливо е да се инсталира уред за преостаната струја (RCD) во електричното коло со номинална преостаната струја што не надминува 30mA. За ова прашајте електричар.
  14. Редовно чистете го филтерот за воздух. Фреквенцијата на чистење зависи од чистотата на воздухот.
  15. Откако ќе ја исклучите машината, почекајте најмалку 5 минути пред да ја вклучите повторно.
  16. Не користете го уредот на сончеви места. Кога уредот се прегрее, заштитата од прегревавање ќе се вклучи уредот.
  17. За да се обезбеди ефикасно ладење, треба да се чува растојание од најмалку 60 см помеѓу страничните wallsидови на уредот и theидот или мебелот или завесите.
  18. Поради ограничената изведба на уредот, ако разликата помеѓу целната температура и температурата на околината е премногу голема, не може да се постигне целта.
  19. За да го намалите ризикот од пожар, електричен удар или повреда при употреба на климатик, почитувајте ги следниве основни мерки на претпазливост:
    - а) Поврзете се со заземјен штекер со 3 пина.
    - б) Не отстранувајте го заземјувачот.
    - в) Не користете го адаптерот.

- г) Не користете продолжен кабел.  
 д) Исклучете го клима уредот пред сервисирање.  
 ѓ) Користете две или повеќе лица за да го преместите и инсталирате климатизерот.  
 20. Не користете средства што го забрзуваат процесот на одмрзнување или чистење, освен оние препорачани од производителот.  
 21. Уредот треба да се чува во просторија без постојано да работи извор на палење, на пример: отворен оган, гасни апарати или електрични грејачи.

#### ПРЕД ПРВА УПОТРЕБА - (слика Е)

Поврзете ги конекторите со каналот за издувни гасови како што следува:

1. Проширете го каналот за издувни гасови (10) со извлекување на двата краја на каналот.
2. Зашрафете го каналот за издувни гасови (10) во конекторот на каналот за издувни гасови (11).
3. Поврзете го конекторот на издувниот канал на воздухот (11) со уредот.

#### ЗАБЕЛЕШКИ:

1. Чувајте ја единицата најмалку 1 метар подалеку од ТВ или радија за да избегнете електромагнетно мешање.
  2. Не изложувајте ја единицата под директна сончева светлина за да избегнете згаснување на бојата во површината.
  3. Не ја навалувајте единицата повеќе од 35 ° или наопаку додека превезувате. Ако уредот е префрлен за време на транспортот, спуштете го правилно и почekaјте 2-4 часа пред да го стартувате.
  4. Поставете ја единицата на рамна површина со наклон под 5 °.
  5. Единицата работи поефикасно на одредени локации во просториите, изберете ја најдобрата локација:
    - Покрај прозорецот, вратата или францускиот прозорец.
    - Задржете го потребното растојание од излезниот воздух до валидот или други пречки најмалку 60 см.
    - Проширете го цревето за воздух за да се осигурите дека другиот крај на цревето на воздухот има јаз меѓу вратата на прозорецот, или францускиот прозорец или валидната дупка.
    - Изводот или влезот на воздухот не може да се блокира со заштитна мрежа или какви било пречки.
- За да го продолжите работниот век на единицата, исцедете ја кондензираната вода од горните (8) и пониски (9) дупки за ладење на ладилникот пред да ја ставите единицата во складирање на крајот на сезоната.

#### ОПИС НА УРЕДОТ (слики А и В)

- |   |   |
|---|---|
| 1. Контролен панел                                | 2. Извод за ладен воздух                    |
| 3. Рецептор за сигнал                             | 4. Далечински управувач                     |
| 5. Рачка за транспорт                             | 6. Издувен канал                            |
| 7. влез за испарувач                              | 8. Горна дупка за одвод на ладилникот       |
| 9. Дупка за одводнување надолу на ладилникот      | 10. Канал за издувен воздух                 |
| 11. Конектор на канал за издувни гасови со воздух | 12. Адаптер за издувни гасови на прозорецот |

#### Контролен панел (слика С)

- |  |   |
|--|---|
| А. Копче за вклучување / исклучување     | В. копче за брзина на вентилаторот      |
| В. копче за режим                        | Д. Копче за тајмер / температура нагоре |
| Е. копче за тајмер / температура надолу  | Ф. Копче за мала брзина                 |
| Г. Копче со голема брзина                | Н. Индикатор за напојување              |
| И. Копче за спиење и заклучување на деца | Ј. Автоматски режим                     |
| К. режим на ладно режим                  | Л. Dehumidify                           |
| М. режим на вентилаторот                 | Н. Копче за тајмер                      |
| О. Копче осцилација                      | Р. Детско заклучување                   |

#### ЗАБЕЛЕШКА КОНТРОЛЕЛЕР - слика D

Далечинскиот управувач пренесува сигнали на системот.

- Копче „А“ - апаратот ќе се стартува кога ќе се напојува или ќе се запре кога е во функција, ако го притиснете ова копче.  
 Копче "С" - притиснете го за да изберете режим на работа: "J", "K", "L" или "M".  
 Копче "Б" - притиснете го за да ја изберете брзината на вентилаторот во низа.  
 Копче "Д" / "Е" - притиснете за да ја прилагодите температурата во просторијата и тајмерот.  
 Копче "Јас" - притиснете за да поставите или откажете режимот на спиење.  
 Копче "Н" - притиснете за да го вклучите времето на автоматско исклучување и автоматско вклучување.  
 Копче "О" - притиснете за да поставите или откажете режимот за нишање на лаурите.

#### РАБОТЕ ОФЕ НА КОНТРОЛА ПАНЕЛ

#### АВТОМАТИЧКО / СОВЕТ / ОСНОВО / ФАН

1. Вклучете го уредот.

- а) Поврзете го уредот, а потоа уредот ќе зачува еднаш. Светлото за напојување „Н“ е вклучено.
- б) Притиснете го копчето "А", тогаш уредот ќе се вклучи.
- в) LED диодата ја прикажува собната температура и започнува да работи во автоматски режим.

## 2. Изберете го режимот на работа

Притиснете го копчето "С" за да го изберете посакуваниот режим на работа по секвенца:

Автоматски режим "Ј" -> Режим на ладење "К" -> Режим на сушење "Л" -> Режим на вентилаторот "М."

## 3. Прилагодете ја температурата

Температурата може да се постави во опсег 15 ° -31 ° С. Притиснете го копчето "D" или "E" за да ја зголемите или намалите температурата за 1 ° С со притискање еднаш. LED панелот на уредот ја покажува целната температура 5 секунди и потоа ја прикажува собната температура.

## 4. Прилагодете ја брзината на вентилаторот

Притиснете го копчето "Б" за да изберете посакувана брзина на вентилаторот според низата:

Ниска брзина "F" -> Голема брзина G

## 5. моќност

Кога повторно ќе го притиснете копчето "А", уредот ќе се огласи "ди", индикаторот за напојување "Н" излегува и ќе престане да работи.

6. Притиснете го ова копче „Јас“ за да влезете во режимот на спиење на уредот.

7. Притиснете го ова копче "N" за да поставите временско исклучување.

8. Притиснете го ова копче „O“ за да поставите осцилација на осветлување на воздухот горе-долу.

Секој принцип на работа на режимот:

### АВТО режим „Ј“:

Откако ќе се избере „Ј“, работата е избрана, сензорот за внатрешна температура работи автоматски и избира еден од подолу режимите на работа:

- Кога температурата во собата  $\geq 24$  единицата автоматски ќе избере режим на ладно режим "К".

или

- Кога температурата во собата  $< 24$ , единицата автоматски ќе одбере режим со голема брзина на вентилаторот "М..".

### Дехумидифицирање на режимот "L":

1. Наголониот центрифугален вентилатор ќе работи со мала брзина и брзината не може да се прилагоди.

2. Компресорот ќе запре откако ќе работи 8 минути, а потоа повторно ќе работи по 6 минути.

3. Уредот усвојува постојан режим на дехидрирање на температурата и прилагодувањето на температурата не е ефикасно.

### ПРЕДУПРЕДУВАЕ:

Кога ракувате со уредот во услови на различна влажност, дупката за одводнување на ладилникот (9) треба да биде постојано отворена и да обезбеди постојана дренажа на вода.

### COOL режим "K":

1. Кога температурата во просторијата е поголема од поставената температура на контролниот панел, компресорот почнува да работи.

2. Кога температурата во просторијата е пониска од поставената температура на контролниот панел, компресорот застанува и горниот вентилатор работи со оригинална поставена брзина.

Режим на вентилаторот "М".

1. Наголониот центрифугален вентилатор работи со поставена брзина, а компресорот не работи.

2. Прилагодувањето на температурата не е ефикасно.

### Тајмер операција "N":

1. Притиснете го копчето „N“ за да поставите автоматско исклучување на времето додека единицата работи.

2. Притиснете го копчето „N“ за да поставите автоматско навремено додека единицата е подготвена.

3. Времето може да се прилагоди во опсег од 1 час до 24 часа со притискање на копчето "D" + ) или "E" .

### Функција „I“ на режимот на спиење и функција за заклучување на децата:

1. Режимот за спиење работи кога единицата е под режимот „К“ за ладење.

2. Притиснете го копчето "Јас" во режим на ладно "К", тогаш единицата ќе работи под режим на спиење и горивниот центрифугален



вентилатор автоматски се свртува кон мала брзина. Поставената температура ќе се зголеми за 1 по еден час, а ќе се зголеми за 2 по два часа. По шест часа единицата ќе престане да работи.

3. Притиснете го копчето за заклучување на деца "Jас" три секунди за да ги направите сите други функции не можат да ги користат. Притиснете 3 секунди повторно ќе ја отклучите функцијата за заклучување на децата во меѓувреме, сите други функции ќе можат повторно да ги користат.

Заматете го режимот „O“ режим:

Кога уредот е вклучен, притиснете го копчето "O", вертикалната обвивка ќе се вклучи или исклучи. Кога е вклучен, лувр може да се врти напред и назад во рок од 60 степени. Повторно притиснете го копчето "O", луверот ќе престане да лула.

Известување:

Главната контролна табла има мемориска функција, кога уредот е подготвен да работи, но во статус на стоп, главната контролна табла може да ја запамети иницијализацијата на режимот на работа. Кога ќе ја вклучите единицата, таа ќе работи како истото донесување на режимот на работа како и минатиот пат, нема потреба повторно да го ресетирате работниот режим. (Оваа состојба не е достапна кога единицата е под режимот AUTO "J".)

## ДАЛЕЧИСКИ УПРАВУВАЧ

1. Лизгајте го задниот поклопец за да се отвори и тргнете изолациониот филм на батериите.
2. Ставете ги батериите во отворот, мора да одговараат на знаците на "+" и "-" на далечинскиот управувач.
3. Подолго време без употреба, извадете ги батериите.
4. За да спречите загадување на животната средина, извадете ги искористените батерии и фрлајте ја безбедноста и соодветно. За ракување со уредот, насочете го далечинскиот управувач (..) на рецепторот за сигнал. Далечинскиот управувач ќе управува со уредот на растојание од 5 метри кога покажувате на рецепторот на сигналот на уредот.

## ЗАШТИТА ДЕВИЗИЦИ

Заштитниот уред може да патува и да го запре апаратот во случаите наведени подолу:

1. во режим на ладење: температурата на воздухот во затворен простор е над 43 ° C (109 ° F)
2. во режим на ладење: собната температура е под 15 ° C (59 ° F)
3. во режим на дехидрирање: собната температура е под 15 ° C (59 ° F).

Ако уредот работи во ладење „K“ или го дехидрира режимот „L“ со врата или прозорецот отворен подолго време кога релативната влажност е над 80%, росата може да се спушти од излезот.

Заштитниот уред ќе работи во следниве случаи:

1. Повторното вклучување на уредот веднаш по прекинување на работата или промена на избраниот режим додека работите, мора да почекате 3 минути.
2. Ако приклучокот е отстранет, по рестартирањето на уредот ќе се врати во оригиналниот режим, TIMER ON и TIMER OFF - мора повторно да бидат поставени.

**ЗАБЕЛЕШКА:** има рециклирање на вода за кондензирање скриено во оваа единица. Кондензационата вода делумно се одржува рециклирање помеѓу кондензаторот и плочата за вода. Кога нивото на водата се искачува на горното ниво, се палат прекинувачот за плови и индикаторот за полн вода (E4) за да потсетат вода за одвод. Ве молиме исклучете го напојувањето, преместете го апаратот на соодветно место, извадете го приклучокот за одвод, исцедете ја водата целосно. По одводот, повторно инсталирајте го приклучокот или апаратот може да истече и да ја направи вашата просторија влажна.

Ако апаратот е поставен во позиција да прифати вода за одвод, исто така можете да ја поврзете дупката за одвод на одводот за да ја исцеди водата. Во комплетот се додава цевка за одвод, со внатрешен дијаметар 9мм, надворешен дијаметар 12мм, материјал: ПВХ.

Смена на проблеми

1) Проблеми: Не работи.

Анализа:

а) можеби заштитното патување или осигурувачот е разнесено, почекајте 3 минути и повторно започнете, заштитниот уред може да спречи работа на уредот.

в) можеби батериите во далечинскиот управувач се исцрпени.

г) можеби приклучокот не е правилно вклучен.

2) Проблеми: работи само за кратко време

Анализа:

а) ако поставената температура е близу до собна температура, можете да ја намалите поставената температура.

б) можеби излезот на воздухот е блокиран од пречка. Однесете ја пречката.

3) Проблеми: работи, но не се лади

Анализа:

а) можеби вратата или прозорецот се отворени.

б) можеби во блиска далечина има друг апарат што работи како грејач или ламба, итн.

в) филтерот за воздух е валкан, исчистете го.

г) излез на воздух или влез е блокиран.

ѓ) поставената температура е превисока.

4) Проблем: Истекување на вода при движење.

Анализа:

а) исцедете го кондензатот пред да се движите.

б) за да избегнете истекување на вода, ве молиме лоцирајте го уредот на рамно тло.

5) Проблеми: Не работи индикатор за полн вода „E4“

Анализа:

а) извлечете гумен приклучок за да исцеди вода.

б) ако е често во оваа состојба, контактирајте со квалификуван технички сервис.

Смена на проблеми

6) Проблем: Уредот не успева да се активира.

Анализа:

а) можеби не е вклучен. Значи, приклучете го.

б) можеби штети од приклучок или штекер. Заменете со давателот на услугата.

в) можеби осигурувачот скршен. Заменете го осигурувачот според давателот на услугата (спецификација: 3,15A / 250VAC).

7) Проблем: Уредот автоматски престанува.

Анализа:

а) времето е исклучено или поставената достигната температура. Рестартирајте го или почекајте автоматско прекинување.

8) Проблеми: нема студен воздух под режимот COOL "K".

Анализа:

а) собна температура е пониска од поставената температура. Тоа е нормален феномен, машината автоматски се префрлува додека собната температура е повисока од поставената температура.

б) Уредот влегува во заштита од мраз. Уредот автоматски ќе се префрли откако ќе заврши заштитата против мраз.

9) Проблеми: ЛЕР прикажува код за дефект "E2"

Анализа:

а) сензорот за температура во просторијата не успее или оштетува. Заменете го сензорот за температура во просторијата од страна на давателот на услугата.

10) Проблеми: ЛЕР прикажува код за дефект "E3"

Анализа:

а) сензорот на цевката за масло од испарувачот не успее или оштети. Заменете го сензорот за цевки на серпентина на испарувачот од страна на давателот на услугата.

11) Проблеми: ЛЕР прикажува код за дефект "E4"

Анализа:

а) предупредување полно со вода. Исцедете ја водата.

## ЧИСТЕЕ И ОДРУВАЕ

Одржување на уредот

1. Исклучете го уредот прво пред да се исклучите од напојувањето.

2. Избришете ја со мека и сува крпа. Користете млака вода под 40Ц за да исчистите ако приклучокот е многу валкан.

3. Никогаш не користете испарлива супстанција, како што се бензин или прав за полирање, за чистење на уредот.

Одржување на филтер за воздух

Неопходно е да се исчисти филтерот за воздух на секои 2 недели ако уредот работи во исклучително правлива околина. Чистете на следниов начин:

1. Запрете го уредот прво, притиснете го филтерот за воздух (Слика F).

2. Исчистете го и повторно инсталирајте го филтерот за воздух.

3. Ако нечистотијата е видлива, измијте ја со раствор на детергент во млака вода. По чистењето исушете го на засенчено и ладно место, а потоа повторно инсталирајте го.

Одржување по употреба

1. Ако уредот нема да користи подолго време, не заборавајте да го извадите гумениот приклучок на горната дупка за одвод на ладилникот (8) и гумениот приклучок надолу од дупката за одвод на ладилникот (9) од портата за одвод, за да ја исцедите водата.

2. Одржувајте го уредот да работи со вентилаторот само половина ден во текот на еден сончев ден за да го исушите апаратот однатре и да спречите оддавање мувла.

3. Запрете го уредот и извлечете го приклучокот за кабелот за напојување, потоа извадете ги батериите на далечинскиот управувач и чувајте го уредот правилно.

4. Исчистете го филтерот за воздух и повторно инсталирајте го.

5. Извадете ги цревата за воздух и чувајте ги правилно, и цврсто покријте ја дупката.

## ТЕХНИЧКИ ПОДАТОЦИ:

Капацитет за ладење на BTU: 9000 BTU / час

Капацитет на ладење во вати: 2600

Потрошувачка на енергија (ладење) W: 950 W  
Обем: <= 65dB  
Проток на воздух: 380 м3 / h  
Класа на енергија: А  
Тајмер: 24 часа  
Тежина на течноста за ладење R290:  
макс. 200 грама

Внимание, ризик од пожар.  
НЕ пирснувајте или изгорувајте.  
Бидете свесни дека ладилното средство може да не  
содржи мирис.  
Максимална количина на полнење за ладење: 200g.



Се грижиме за природната средина. Картонските паковки молиме да се наменат за рециклирање. Полиетиленовите кеси (PE) да се фрлат во контејнер за пластика. Искористениот уред треба да се предаде во соодветниот складирачки пункт, бидејќи небезбедните состојки кои се наоѓаат во уредот можат да бидат загрозување за средината. Електричниот уред треба да се предаде на начин кој ќе оневозможи негова повторна употреба и искористување. Доколку во уредот има батерии, треба да се извадат и посебно да се предадат во складирачкиот пункт.

## SLOVENSKY

### VŠEOBECNÉ BEZPEČNOSTNÉ PODMIENKY DÔLEŽITÉ BEZPEČNOSTNÉ POKYNY ČÍTAJTE POZORNE A ULOŽTE DO BUDÚCNOSTI

1. Pred použitím zariadenia si prečítajte návod na obsluhu a postupujte podľa pokynov v ňom uvedených. Výrobca nezodpovedá za škody spôsobené používaním zariadenia v rozpore s jeho určeným účelom alebo nesprávnou obsluhou.
2. Zariadenie je určené iba na domáce použitie. Nepoužívajte na iné účely, než na ktoré sú určené.
3. Zariadenie by malo byť pripojené iba k sieťovej zásuvke s uzemneným 220 240 V ~ 50 Hz. Z dôvodu zvýšenia prevádzkovej bezpečnosti by viac elektrických zariadení nemalo byť pripojené k jednému prúdovému obvodu súčasne.
4. Pri používaní zariadenia, keď sú deti v blízkosti, buďte veľmi opatrní. Nedovoľte deťom hrať sa so zariadením, nedovoľte deťom ani osobám oboznámeným so zariadením používať.
5. **VÝSTRAHA:** Toto zariadenie môžu používať deti staršie ako 8 rokov a ľudia s obmedzenými fyzickými, zmyslovými alebo mentálnymi schopnosťami alebo ľudia, ktorí nemajú skúsenosti s týmto vybavením, ak sa to deje pod dohľadom zodpovednej osoby. pre svoju bezpečnosť alebo im boli poskytnuté informácie o bezpečnom používaní pomôcky a sú si vedomí nebezpečenstva pri jej používaní. Deti by sa s týmto zariadením nemali hrať. Čistenie a údržba prístroja by nemali vykonávať deti, pokiaľ nie sú staršie ako 8 rokov a tieto činnosti sa vykonávajú pod dohľadom.
6. Po použití vždy odpojte sieťovú zástrčku tak, že budete držať zásuvku rukou. **NEVYŤAHUJTE** napájací kábel.
7. Kábel, zástrčku a celé zariadenie neponárajte do vody ani inej kvapaliny. Nevystavujte zariadenie poveternostným vplyvom (dážď, slnko atď.) Ani ho nepoužívajte v podmienkach vysokej vlhkosti (kúpeľne, vlhké mobilné domy).
8. Pravidelne kontrolujte stav napájacieho kábla. Ak je napájací kábel poškodený, mal by sa vymeniť v odbornom servise, aby sa predišlo nebezpečenstvu.
9. Nepoužívajte spotrebič s poškodeným napájacím káblom alebo ak spadol alebo je poškodený iným spôsobom alebo ak nefunguje správne. Neopravujte prístroj sami, mohlo by dôjsť k úrazu elektrickým prúdom. Poškodené zariadenie odneste na kontrolu alebo

opravu do príslušného servisného strediska. Všetky opravy smie vykonávať iba autorizovaný servis. Nesprávne vykonané opravy môžu pre používateľa predstavovať vážne nebezpečenstvo.

10. Zariadenie umiestnite na chladný a stabilný povrch, mimo dosahu horúcich kuchynských spotrebičov, ako sú: elektrický sporák, plynový horák atď.

11. Skontrolujte, či nič neblokuje vstup a výstup vzduchu zo zariadenia

12. Používajte zariadenie iba na rovnom povrchu, aby sa zabránilo vyliatiu kondenzátu

13. Na zabezpečenie dodatočnej ochrany sa odporúča nainštalovať do elektrického obvodu zariadenie na zvyškový prúd (RCD) s menovitým zvyškovým prúdom nepresahujúcim 30 mA. Požiadajte o to elektrikára.

14. Pravidelne čistite vzduchový filter. Frekvencia čistenia závisí od čistoty vzduchu.

15. Po vypnutí stroja počkajte aspoň 5 minút, kým ho znova zapnete.

16. Nepoužívajte zariadenie na slnečných miestach. Keď sa zariadenie prehrieva, zapne sa ochrana pred prehriatím.

17. Na zabezpečenie účinného chladenia by sa medzi bočnými stenami zariadenia a stenou alebo nábytkom alebo záclonami mala udržiavať vzdialenosť najmenej 60 cm.

18. Vzhľadom na obmedzený výkon zariadenia, ak je rozdiel medzi cieľovou teplotou a okolitou teplotou príliš veľký, cieľová teplota sa nemusí dosiahnuť.

19. Aby ste znížili riziko požiaru, úrazu elektrickým prúdom alebo zranenia pri používaní klimatizácie, dodržiavajte tieto základné bezpečnostné opatrenia:

a) Pripojte k uzemnenej zásuvke pomocou 3 pinov.

b) Nevyberajte uzemňovací kolík.

c) Nepoužívajte adaptér.

d) Nepoužívajte predlžovací kábel.

e) Pred servisom odpojte klimatizačnú jednotku.

f) Na premiestnenie a inštaláciu klimatizácie použite dve alebo viac osôb.

20. Nepoužívajte iné prostriedky, ktoré urýchľujú proces rozmrazovania alebo čistenia, iné ako tie, ktoré odporúča výrobca.

21. Zariadenie by sa malo skladovať v miestnosti bez neustáleho fungovania zdrojov zapálenia, napríklad: otvorený oheň, plynové spotrebiče alebo elektrické ohrievače.

#### PRED PRVÝM POUŽITÍM - (obrázok E)

Pripojte konektory k potrubiu na odvod vzduchu nasledovne:

1. Vytiahnite potrubie na odvod vzduchu (10) tak, že vytiahnete oba konce potrubia.
2. Zaskrutkujte potrubie na odvádzanie vzduchu (10) do konektora na odvádzanie vzduchu (11).
3. Pripojte konektor potrubia na odvádzanie vzduchu (11) k zariadeniu.

#### KOMENTÁR:

1. Jednotku udržiavajte vo vzdialenosti najmenej 1 meter od televízora alebo rádia, aby nedošlo k elektromagnetickému rušeniu.

2. Nevystavujte jednotku priamemu slnečnému žiareniu, aby nedošlo k vyblednutiu farby povrchu.

3. Počas prepravy zariadenie nenakláňajte o viac ako 35 ° alebo hore nohami. Ak sa zariadenie počas prepravy prevrátilo, položte ho správne a pred spustením počkajte 2 až 4 hodiny.

4. Položte jednotku na rovný povrch so sklonom menším ako 5 °.

5. Jednotka pracuje efektívnejšie na určitých miestach miestnosti, vyberte najlepšie umiestnenie:

- Vedľa okna, dverí alebo francúzskeho okna.

- Udržujte požadovanú vzdialenosť od výstupu spätného vzduchu k stene alebo iným prekážkam najmenej 60 cm.

- Vytiahnite vzduchovú hadicu a ubezpečte sa, že na druhom konci vzduchovej hadice je medzera medzi dverami okna alebo francúzskym oknom alebo otvorom v stene.

- Výstup alebo prívod vzduchu nie je možné blokovať ochrannou mriežkou alebo prekážkou.

Ak chcete predĺžiť životnosť jednotky, vypustíte kondenzovanú vodu z horných (8) a spodných (9) vypúšťacích otvorov chladiča pred uložením jednotky do skladu na konci sezóny.

#### POPIS ZARIADENIA (obrázky A a B)

- |  |                                   |
|--|-----------------------------------|
| 1. Ovládací panel                            | 2. Výstup studeného vzduchu       |
| 3. Signálny receptor                         | 4. Diaľkový ovládač               |
| 5. Transportná rukoväť                       | 6. Výfukové potrubie              |
| 7. Vstup výparníka                           | 8. Horný vypúšťací otvor chladiča |
| 9. Vypúšťací otvor chladiča                  | 10. Vzduchový výfukový kanál      |
| 11. Konektor vzduchového výfukového potrubia | 12. Adaptér na odsávanie okien    |

#### OVLÁDACÍ PANEL (obrázok C)

- |  |   |
|--|---|
| A. Vypínač ON / OFF                        | B. Tlačidlo rýchlosti ventilátora       |
| C. Tlačidlo režimu                         | D. Tlačidlo časovača / zvýšenia teploty |
| E. Tlačidlo zníženia času / teploty        | F. Tlačidlo nízkej rýchlosti            |
| G. Tlačidlo vysokej rýchlosti              | H. Indikátor napájania                  |
| I. Tlačidlo režimu spánku a detská poistka | J. Automatický režim                    |
| K. Režim chladenia                         | L. Režim odvlhčovania                   |
| M. Režim ventilátora                       | N. Tlačidlo časovača                    |
| O. Tlačidlo oscilácie                      | P. Detská poistka                       |

#### DIAĽKOVÝ OVLÁDAČ - obrázok D

Diaľkový ovládač prenáša signály do systému.

Tlačidlo „A“ - po stlačení tohto tlačidla sa spotrebič spustí, keď je zapnutý, alebo sa zastaví, keď je v prevádzke.

Tlačidlo „C“ - stlačením zvolíte druh prevádzky: „J“, „K“, „L“ alebo „M“.

Tlačidlo „B“ - stlačte, aby ste postupne nastavili rýchlosť ventilátora.

Tlačidlo „D“ / „E“ - stlačením nastavíte teplotu miestnosti a časovač.

Tlačidlo „I“ - stlačením nastavíte alebo zrušíte režim spánku.

Tlačidlo „N“ - stlačením nastavíte čas automatického vypnutia a automatického zapnutia.

Tlačidlo „O“ - stlačením nastavíte alebo zrušíte režim výkyvov žalúzií.

#### PREVÁDZKA OVLÁDACIEHO PANELU

##### AUTOMATICKÝ / COOL / SUCHÝ / VENTILÁTOR

1. Zapnite zariadenie.

a) Pripojte zariadenie a potom raz zapípa. Kontrolka napájania „H“ svieti.

b) Stlačte tlačidlo „A“ a zariadenie sa zapne.

c) LED dióda zobrazuje teplotu miestnosti a začína pracovať v automatickom režime.

2. Vyberte prevádzkový režim

Stlačte tlačidlo „C“ a zvolte požadovaný režim činnosti podľa poradia:

Automatický režim „J“ -> Režim chladenia „K“ -> Režim sušenia „L“ -> Režim ventilátora „M“.

3. Upravte teplotu

Teplota môže byť nastavená v rozmedzí 15 ° - 31 ° C. Stlačením tlačidla „D“ alebo „E“ zvýšite alebo znížite teplotu o 1 ° C jedným stlačením. LED panel zariadenia zobrazuje cieľovú teplotu po dobu 5 sekúnd a potom zobrazuje teplotu miestnosti.

4. Nastavte rýchlosť ventilátora

Stlačením tlačidla „B“ vyberte požadovanú rýchlosť ventilátora podľa poradia:

Nízka rýchlosť „F“ -> Vysoká rýchlosť „G“

5. Napájanie

Po opätovnom stlačení tlačidla „A“ zaznie zariadenie „di“, indikátor napájania „H“ zhasne a prestane fungovať.

6. Stlačením tohto tlačidla „I“ vstúpite do režimu spánku zariadenia.

7. Stlačením tohto tlačidla „N“ nastavíte časované vypnutie.

8. Stlačením tohto tlačidla „O“ nastavíte osciláciu výkyvov vzduchu nahor.

Princíp fungovania každého režimu:

#### Režim AUTO „J“:

Keď je zvolená prevádzka „J“, snímač vnútornej teploty pracuje automaticky a vyberie jeden z nižšie uvedených prevádzkových režimov:

- Ak je teplota v miestnosti  $\geq 24$  , prístroj automaticky vyberie režim chladenia „K“.

alebo

- Pri izbovej teplote  $< 24$  jednotka automaticky zvolí režim vysokej rýchlosti ventilátora „M“.

#### Odvlhčovanie režimu „L“:

1. Odstredivý ventilátor hore bude bežať pri nízkych otáčkach a rýchlosť sa nedá nastaviť.

2. Kompresor sa zastaví po 8 minútach chodu a potom po 6 minútach znovu beží.

3. Zariadenie používa režim odvlhčovania s konštantnou teplotou a nastavenie teploty nie je účinné.

#### VÝSTRAHA:

Pri prevádzke zariadenia v podmienkach meniacej sa vlhkosti by mal byť otvor (9) na vypustenie chladiča vzduchu neustále otvorený a zabezpečoval stály odtok vody.

#### Režim COOL „K“:

1. Keď je teplota v miestnosti vyššia ako nastavená teplota na ovládacom paneli, kompresor sa spustí.

2. Ak je izbová teplota nižšia ako nastavená teplota na ovládacom paneli, kompresor sa zastaví a horný ventilátor pracuje s pôvodnou nastavenou rýchlosťou.

#### Režim ventilátora „M“:

1. Odstredivý ventilátor beží hore pri nastavenej rýchlosti a kompresor nebeží.

2. Nastavenie teploty nie je účinné.

#### Prevádzka časovača „N“:

1. Stlačením tlačidla „N“ nastavíte čas automatického vypnutia, keď je jednotka v prevádzke.

2. Stlačením tlačidla „N“ nastavíte čas automatického zapnutia, keď je jednotka pripravená.

3. Stlačením tlačidla „D“ ( + ) alebo „E“ ( - ) môžete nastaviť čas v rozmedzí 1 hodiny až 24 hodín.

#### Prevádzka režimu spánku „I“ a funkcia detskej zámky:

1. Režim spánku funguje, keď je jednotka v režime chladenia „K“.

2. Stlačte tlačidlo "I" v chladnom režime "K", potom jednotka bude pracovať v režime spánku a odstredivý ventilátor hore sa automaticky zmení na nízku rýchlosť. Nastavená teplota sa po jednej hodine zvýši o 1, a po dvoch hodinách sa zvýši o 2.. Po šiestich hodinách sa jednotka zastaví.

3. Na tri sekundy stlačte tlačidlo detskej poistky „I“, aby všetky ostatné funkcie nemohli byť použité. Opätovným stlačením na 3 sekundy odomknete funkciu detskej zámky, zatiaľ čo všetky ostatné funkcie budú môcť znova byť použité.

#### Prepínanie režimu "O":

Keď je zariadenie zapnuté, stlačte tlačidlo „O“, vertikálna mriežka sa zapne alebo vypne. Keď je zapnutá, mriežka sa môže otáčať dozadu a dopredu do 60 stupňov. Opätovným stlačením tlačidla „O“ žalúzia prestane kývať.

#### Všimnite si:

Hlavná riadiaca doska má funkciu pamäte, keď je zariadenie pripravené na prevádzku, ale v stave zastavenia si môže hlavná riadiaca doska zapamätať inicializáciu pracovného režimu. Keď zapnete jednotku, bude fungovať rovnako ako pracovný režim ako minule, nie je potrebné znova nastavovať pracovný režim. (Tento stav nie je k dispozícii, keď je jednotka v režime AUTO „J“.)

#### DIÁLKOVÝ OVLÁDAČ

1. Posunutím zadného krytu otvorte a zložte izolačný film z batérií.

2. Vložte batérie do otvoru tak, aby zodpovedali znakom „+“ a „-“ na diaľkovom ovládači.

3. Po dlhom nepoužívaní vyberte batérie.

4. Aby ste predišli znečisťovaniu životného prostredia, vyberte použité batérie a bezpečne a náležite zlikvidujte ich.

Aby ste mohli zariadenie ovládať, nasmerujte diaľkový ovládač (..) na signálny receptor. Diaľkový ovládač bude pri smerovaní na signálny receptor zariadenia pracovať vo vzdialenosti 5 metrov.

#### OCHRANNÉ ZARIADENIA

Ochranné zariadenie môže vypnúť a zastaviť spotrebič v nižšie uvedených prípadoch:

1. v režime chladenia: teplota vzduchu v miestnosti je vyššia ako 43 ° C (109 ° F)

2. v režime chladenia: teplota miestnosti je nižšia ako 15 ° C (59 ° F)

3. v režime odvlhčovania: teplota miestnosti je pod 15 ° C (59 ° F).

Ak zariadenie beží v režime chladenia „K“ alebo odvlhčuje režim „L“ s otvorenými dverkami alebo oknami po dlhú dobu, keď je relatívna vlhkosť vzduchu nad 80%, z výstupu môže kvapkať rosa.

Ochranné zariadenie bude fungovať v nasledujúcich prípadoch:

1. Reštartujte zariadenie ihneď po ukončení práce alebo po zmene vybraného režimu počas práce, musíte počkať 3 minúty.

2. Ak je zástrčka odpojená, po reštartovaní sa zariadenie vráti do pôvodného režimu, TIMER ON a TIMER OFF - sa musia znovu nastaviť.

**POZNÁMKA:** V tomto prístroji je skrytá recyklácia kondenzovanej vody. Kondenzujúca voda sa čiastočne recykluje medzi kondenzátorom a vodnou doskou. Keď hladina vody stúpne na vyššiu úroveň, zapne sa plávajúci spínač a indikátor naplnenia vody (E4), ktorý pripomína vypustenie vody. Prerušte prívod energie, premiestnite spotrebič na vhodné miesto, vyberte vypúšťaciu zátku, úplne vypustíte vodu. Po vypustení znovu nainštalujte zástrčku, inak môže prístroj unikáť a miestnosť zvlhčiť.

Ak je zariadenie umiestnené v polohe umožňujúcej vypustenie vody, môžete tiež vypustiť vodu z výpustného otvoru a vyprázdniť ho. Do súpravy je pridaná odtoková rúrka s vnútorným priemerom 9 mm, vonkajším priemerom 12 mm a materiálom: PVC.

Riešenie problémov

1) Problémy: Nepracuje.

analýza:

a) Možno je vypnutá ochrana alebo poistka, počkajte 3 minúty a začnite znova, ochranné zariadenie môže brániť zariadeniu v činnosti.

b) batérie v diaľkovom ovládači sú pravdepodobne vybité.

d) možno zástrčka nie je správne zapojená.

2) Problémy: funguje iba na krátky čas

analýza:

a) ak je nastavená teplota blízka izbovej teplote, môžete ju znížiť.

b) je možné, že je výstup vzduchu blokovaný prekážkou. Odstráňte prekážku.

3) Problémy: Funguje, ale nie ochladzuje

analýza:

a) možno sú otvorené dvere alebo okno.

b) možno v tesnej blízkosti je iný tepelne pracujúci spotrebič, ako je ohrievač alebo lampa atď.

c) vzduchový filter je znečistený, vyčistite ho.

d) je zablokovaný výstup alebo prívod vzduchu.

f) nastavená teplota je príliš vysoká.

4) Problém: Únik vody počas pohybu.

analýza:

a) pred presunom vypustíte kondenzát.

b) Aby ste predišli úniku vody, umiestnite zariadenie na rovnú zem.

5) Problém: Nepracuje a indikátor naplnenia vodou „E4“

analýza:

a) vytiahnite gumovú zátku na vypustenie vody.

b) ak je často v tomto stave, kontaktujte kvalifikovanú servisnú technickú službu.

Riešenie problémov

6) Problém: Zariadenie sa nenašartuje.

analýza:

a) možno nie je zapojený. Pripojte to.

- b) možno poškodenie zástrčky alebo zásuvky. Nahradiť poskytovateľom služieb.
  - c) možno rozbitá poisťka. Vymeňte poisťku poskytovateľom služieb (špecifikácia: 3,15 A / 250 VAC).
- 7) Problém: Zariadenie sa automaticky zastaví.

analýza:

a) zastavenie časovania alebo dosiahnutá nastavená teplota. Reštartujte počítač alebo počkajte na automatické prepnutie.

8) Problémy: v režime COOL „K“ nie je studený vzduch.

analýza:

a) izbová teplota je nižšia ako nastavená teplota. Je to normálny jav, stroj sa automaticky prepne, keď je teplota v miestnosti vyššia ako nastavená teplota.

b) Zariadenie vstupuje do ochrany proti mrazu. Po ukončení protimrazovej ochrany sa zariadenie automaticky prepne.

9) Problém: LED dióda zobrazuje chybový kód „E2“

analýza:

a) Porucha alebo poškodenie snímača teploty miestnosti. Vymeňte snímač teploty miestnosti od poskytovateľa služieb.

10) Problém: LED dióda zobrazuje chybový kód „E3“

analýza:

a) snímač potrubia oleja výparníka zlyhal alebo bol poškodený. Vymeňte snímač potrubia špirály výparníka poskytovateľom servisu.

11) Problém: LED dióda zobrazuje chybový kód „E4“

analýza:

a) varovanie pred vodou. Vypustite vodu.

## ČISTENIE A ÚDRŽBA

### Údržba zariadenia

1. Pred odpojením od napájania zariadenie najskôr vypnite.
2. Utrite mäkkou a suchou handričkou. Ak je zariadenie veľmi znečistené, použite vlažnú vodu pri teplote pod 40 ° C.
3. Na čistenie zariadenia nikdy nepoužívajte prchavé látky, ako je benzín alebo leštiaci prášok.

### Údržba vzduchového filtra

Vzduchový filter je potrebné čistiť každé 2 týždne, ak zariadenie pracuje v mimoriadne prašnom prostredí.

Vyčistite nasledovne:

1. Najskôr zastavte zariadenie a zatlačte vzduchový filter (obrázok F).
2. Vyčistite a znova nainštalujte vzduchový filter.
3. Ak je špina nápadná, umyte ju roztokom vlažnej vody. Po vyčistení vysušte na tienistom a chladnom mieste, potom ho znova nainštalujte.

### Údržba po použití

1. Ak sa zariadenie nebude dlhšie používať, vytiahnite gumovú zátku horného vypúšťacieho otvoru chladiča (8) a gumovú zátku vypúšťací otvor chladiča (9) odtokového otvoru, aby ste vypustili vodu. ,
2. Prístroj udržiavajte v chode s ventilátorom iba pol dňa počas slnečného dňa, aby ste ho vo vnútri vysušili a zabránili plesniam.
3. Zastavte zariadenie a vytiahnite zástrčku napájacieho kábla, potom vyberte batérie diaľkového ovládača a správne uložte zariadenie.
4. Vyčistite vzduchový filter a znova ho nainštalujte.
5. Odstráňte vzduchové hadice a riadne ich uskladnite a pevne zakryte otvor.

## TECHNICKÉ DÁTA:

Chladiaca kapacita pri BTU: 9000 BTU / hod

Chladiaca kapacita vo wattoch: 2600 E

Spotreba energie (chladenie) W: 950 W

Objem: <= 65 dB



Prietok vzduchu: 380 m<sup>3</sup> / h

Energetická trieda: A

Časovač: 24 hodín

Hmotnosť chladiva R290: max. 200 gramov

Pozor, nebezpečenstvo požiaru.

NEPrepichujte ani nespáľujte.

Majte na pamäti, že chladivo nemusí obsahovať zápach.

Maximálne množstvo chladiva: 200 g.



Starostlivosť o životné prostredie. Kartónový obal odovzdajte do zberných surovín. Polyetylénové vrecká (PE) vyhodte do kontajnera na plast.

Opatrený spotrebič odovzdajte na príslušný zberný dvor, nebezpečné látky spotrebiča môžu predstavovať riziko pre životné prostredie.

Elektrospotrebič odstráňte tak, aby nedochádzalo k jeho ďalšiemu použitiu. Ak sa v spotrebiči nachádzajú batérie, vyberte ich a odovzdajte ich na zberné miesto osobitne. Spotrebič nevyhadzujte do kontajnera na komunálny odpad!

## KARTA GWARANCYJNA

WARUNKI GWARANCJI obowiązują na terenie Rzeczypospolitej Polskiej

Adler Sp. z o.o. ul. Ordona 2a 01-237 Warszawa zapewnia Użytkownika o dobrej jakości sprzętu, na który wydana jest niniejsza karta gwarancyjna i udziela 24 miesięcznej gwarancji, która liczy się od daty zakupu sprzętu. Usługi gwarancyjne świadczone są po okazaniu prawidłowo wypełnionej karty gwarancyjnej. Wady lub uszkodzenia sprzętu ujawnione w okresie gwarancji usuwane będą bezpłatnie przez Serwis Centralny. W przypadku zakupu sprzętu przez przedsiębiorcę (faktura VAT) okres gwarancji wynosi 12 miesięcy. Powyższy zapis nie dotyczy jednoosobowych działalności gospodarczych, o ile rodzaj zakupionego sprzętu, nie jest związany z profilem prowadzonej działalności gospodarczej – weryfikacja w CEIDG.

W przypadku wymiany rzeczy na nową, albo po dokonaniu istotnej naprawy, okres gwarancji biegnie na nowo od chwili dostarczenia klientowi rzeczy wolnej od wad, lub zwrócenia rzeczy naprawionej. Jeżeli gwarant wymienił część rzeczy, przepis powyższy stosuje się odpowiednio do części wymienionej. Gwarant zobowiązuje się pokryć koszty dostarczenia rzeczy do serwisu na adres wskazany w karcie gwarancyjnej. Jednakże uprawniony z gwarancji powinien zachować rozsądek, wybierając środek transportu. Uprawnionemu z gwarancji nie przysługują od gwaranta zwrot kosztów dostarczenia towaru – rzeczy do naprawy gwarancyjnej, przekraczający ekonomicznie uzasadnione koszty przewozu.

UWAGA: Sprzęt przeznaczony jest wyłącznie do użytku domowego. Naprawami gwarancyjnymi nie są objęte czynności związane z odkamienianiem, konserwacją, czyszczeniem urządzenia oraz części i akcesoria ulegające zużyciu przy normalnym użytkowaniu. Gwarancja nie obejmuje mechanicznych uszkodzeń sprzętu oraz wad i uszkodzeń wynikłych wskutek:

- niewłaściwego lub niezgodnego z instrukcją użytkowania, przechowywania i konserwacji;
- ingerencji nieautoryzowanego serwisu, samowolnych napraw, przeróbek i zmian konstrukcyjnych;
- użycia niewłaściwych materiałów eksploatacyjnych.
- uszkodzeń mechanicznych, termicznych, chemicznych i powstałych na skutek przepięcia w sieci.
- karta gwarancyjna jest nieważna bez daty zakupu, pieczęci sprzedającego i kopii dokumentu zakupu.
- gwarancją nie są objęte elementy eksploatacyjne i akcesoria w tym: elementy szklane (np. dzbanki, talerze), sznury przyłączeniowe, sieciowe, żarówki, baterie, nożyki i folie do urządzeń tnących, nasadki miksujące, trzepaki, mieszaki, ssawkoszczotki, rury, węże, kubki miksujące, głowice tnące i sita.

Reklamowany sprzęt jest dostarczany do Serwisu Centralnego przez Klienta w stanie kompletnym i odpowiednio zabezpieczony na czas transportu. Po dokonanej naprawie reklamowany sprzęt odbierany jest z Serwisu Centralnego przez Klienta.

Termin usunięcia wady może zostać wydłużony o czas potrzebny do importu niezbędnych części, nie dłuższy niż 30 dni roboczych. W każdym takim przypadku warsztat serwisowy powiadomi klienta o wydłużeniu terminu naprawy gwarancyjnej. W związku z koniecznością sprowadzenia części zamiennych i poinformuje o nowym terminie usunięcia wady.

W przypadku stwierdzenia usterki należy ją zgłosić w punkcie sprzedaży lub w Serwisie Centralnym, ul. Ordona 2A, 01-237 Warszawa, tel. 728-595-006 lub e-mail: [serwis@adler.com.pl](mailto:serwis@adler.com.pl).

W zgłoszeniu proszę podać swój adres, nr telefonu i opis usterki. Do reklamacji konieczne jest dołączenie kopii dokumentu zakupu.

Gwarancja nie wyłącza ani nie ogranicza oraz nie zawieszka uprawnień kupującego wynikających z przepisów o rękojmi za wady rzeczy sprzedanej.



adnotacje serwisu:

SERWIS CENTRALNY  
01-237 Warszawa ul.Ordona 2A  
tel. 728 - 595 - 006  
[serwis@adler.com.pl](mailto:serwis@adler.com.pl) [www.adler.com.pl](http://www.adler.com.pl)

.....  
(data sprzedaży)  
.....  
(pieczętka sklepu i podpis sprzedawcy)

### W trosce o środowisko..

Opakowania kartonowe oraz worki polietylenowe (PE) należy wrzucać do odpowiednich pojemników przeznaczonych do selektywnej zbiórki odpadów komunalnych zgodnie z ich opisem. Jeżeli w urządzeniu znajdują się baterie, należy je wyjąć i osobno oddać do punktu zbierania i składowania. Zużyte urządzenia należy oddać do odpowiedniego punktu zbierania i składowania, gdyż znajdujące się w nim niebezpieczne substancje mogą stanowić zagrożenie dla zdrowia i środowiska. Oznaczenie umieszczone na produkcie wskazuje, że urządzenia nie należy wyrzucać do pojemnika z odpadami komunalnymi.

Zużyty sprzęt elektryczny, to odpady, które zawierają substancje szkodliwe dla ludzi, zwierząt i środowiska. Substancje te mogą doprowadzić do zanieczyszczenia gleby, wody lub powietrza, a poprzez to mogą się dostać do organizmu człowieka i doprowadzić do licznych dolegliwości zdrowotnych, takich jak: zaburzenia wzroku, słuchu, mowy, mogą również doprowadzić do uszkodzenia nerek, wątroby i serca, oraz wywołać choroby skóry. Substancje szkodliwe mogą mieć również niekorzystny wpływ na układ oddechowy i rozrodczy oraz doprowadzić do zamian nowotworowych. Spożycie roślin rosnących na skażonych glebach, oraz produktów powstałych z nich może grozić w/w skutkami zdrowotnymi.

**Urządzenia nie wyrzucać do pojemnika na odpady komunalne !!!!**

OGÓLNE WARUNKI BEZPIECZEŃSTWA  
WAŻNE INSTRUKCJE DOTYCZĄCE BEZPIECZEŃSTWA UŻYTKOWANIA PRZECZYTAJ  
UWAŻNIE I ZACHOWAJ NA PRZYSZŁOŚĆ

1. Przed rozpoczęciem użytkowania urządzenia należy przeczytać instrukcję obsługi i postępować według wskazówek w niej zawartych. Producent nie odpowiada za szkody spowodowane użytkowaniem urządzenia niezgodnie z jego przeznaczeniem lub niewłaściwą jego obsługą.
2. Urządzenie służy wyłącznie do użytku domowego. Nie używać do innych celów, niezgodnych z jego przeznaczeniem.
3. Urządzenie należy podłączyć wyłącznie do gniazdka prądu przemiennego z uziemieniem 220 240V~50Hz. W celu zwiększenia bezpieczeństwa użytkowania do jednego obwodu prądu nie należy równocześnie włączać wielu urządzeń elektrycznych.
4. Należy zachować szczególną ostrożność podczas korzystania z urządzenia, gdy w pobliżu przebywają dzieci. Nie należy dopuszczać dzieci do zabawy urządzeniem nie pozwól dzieciom ani osobom nie zaznajomionym z urządzeniem na jego użytkowanie.
5. **OSTRZEŻENIE:** Niniejszy sprzęt może być użytkowany przez dzieci powyżej 8 roku życia oraz osoby o ograniczonej zdolności fizycznej, czuciowej lub psychicznej, lub osoby nie mające doświadczenia lub znajomości sprzętu, jeśli odbywa się to pod nadzorem osoby odpowiedzialnej za ich bezpieczeństwo lub zostały im udzielone wskazówki na temat bezpiecznego użytkowania urządzenia i mają świadomość niebezpieczeństwa związanego z jego użytkowaniem. Dzieci nie powinny bawić się sprzętem. Czyszczenie i konserwacja urządzenia nie powinna być wykonywana przez dzieci, chyba że są powyżej 8 roku życia a czynności te są wykonywane pod nadzorem.
6. Zawsze po zakończeniu używania, wyjmij wtyczkę z gniazda zasilającego poprzez przytrzymanie gniazdka ręką. **NIE** ciągnąć za sznur sieciowy.
7. Nie zanurzać kabla, wtyczki oraz całego urządzenia w wodzie lub innej cieczy. Nie wystawiaj urządzenia na działanie warunków atmosferycznych (deszczu, słońca, etc.) ani nie używaj w warunkach podwyższonej wilgotności (łazienki, wilgotne domki kempingowe).
8. Okresowo sprawdzaj stan przewodu zasilającego. Jeżeli przewód zasilający jest uszkodzony, to powinien on być wymieniony przez specjalistyczny zakład naprawczy w celu uniknięcia zagrożenia.
9. Nie używaj urządzenia z uszkodzonym przewodem zasilającym lub jeśli zostało upuszczone lub uszkodzone w jakikolwiek inny sposób lub nieprawidłowo pracuje. Nie naprawiaj urządzenia samodzielnie, gdyż grozi to porażeniem. Uszkodzone urządzenie oddaj do właściwego punktu serwisowego w celu sprawdzenia lub dokonania naprawy. Wszelkich napraw mogą dokonywać wyłącznie uprawnione punkty serwisowe. Nieprawidłowo wykonana naprawa może spowodować poważne zagrożenie dla użytkownika.
10. Należy stawiać urządzenie na chłodnej stabilnej, równej powierzchni, z dala od nagrzewających się urządzeń kuchennych jak: kuchenka elektryczna, palnik gazowy, itp....
11. Upewnij się, że nic nie blokuje wlotu i wylotu powietrza do urządzenia
12. Używaj urządzenia tylko na równej poziomej powierzchni by zapobiec wylaniu się skroplonej wody

13. Do zapewnienia dodatkowej ochrony, wskazane jest zainstalowanie w obwodzie elektrycznym, urządzenia różnicowoprądowego (RCD) o znamionowym prądzie różnicowym nie przekraczającym 30mA. W tym zakresie należy zwrócić się do specjalisty elektryka.
14. Czyść regularnie filtr powietrza. Częstotliwość czyszczenia zależy od czystości powietrza.
15. Po wyłączeniu urządzenia odczekaj co najmniej 5 minut przed ponownym włączeniem.
16. Nie używaj urządzenia w nasłonecznionych miejscach. Kiedy urządzenie przegrzeje się, zabezpieczenie przed przegrzaniem włączy urządzenie.
17. Dla zapewnienia efektywnego chłodzenia należy zachować odstęp co najmniej 60 cm między ściankami bocznymi urządzenia, a ścianą bądź meblami czy zasłonami.
18. Ze względu na ograniczoną wydajność urządzenia, przy zbyt dużej różnicy między temperaturą docelową a temperaturą otoczenia, temperatura docelowa może nie zostać osiągnięta.
19. W celu zmniejszenia ryzyka pożaru, porażenia prądem lub obrażeń podczas korzystania z klimatyzatora, należy przestrzegać następujących podstawowych środków ostrożności:
  - a) Podłącz do uziemionego gniazdka z 3 bolcami.
  - b) Nie usuwaj bolca uziemienia.
  - c) Nie używaj adaptera.
  - d) Nie używaj przedłużacza.
  - e) Odłącz klimatyzator przed serwisowaniem.
  - f) Użyj dwóch lub więcej osób, aby przenieść i zainstalować klimatyzator.
20. Nie należy używać środków przyspieszających proces rozmrażania lub czyszczenia innych niż zalecane przez producenta.
21. Urządzenie należy przechowywać w pomieszczeniu bez stale działających źródeł zapłonu, na przykład: otwartego ognia, urządzeń gazowych lub grzejników elektrycznych.

#### PRZED PIERWSZYM UŻYCIEM - (zdjęcie E)

Podłącz złącza do kanału wywiewnego w następujący sposób:

1. Rozciągnij rurę wylotową powietrza (10), wyciągając dwa jej końce.
2. Przykręć rurę wylotową powietrza (10) do złącza kanału wylotowego powietrza (11).
3. Podłącz złącze kanału wylotowego powietrza (11) do urządzenia.

#### UWAGI:

1. Ustaw urządzenie w odległości co najmniej 1 metra od telewizora lub radia, aby uniknąć zakłóceń elektromagnetycznych.
2. Nie wystawiaj urządzenia na bezpośrednie działanie promieni słonecznych, aby uniknąć blaknięcia kolorów powierzchni.
3. Podczas transportu nie przechylaj urządzenia o więcej niż 35 ° lub do góry nogami. Jeśli urządzenie zostało odwrócone podczas transportu, należy postawić urządzenia poprawnie i odczekać 2-4 godziny przed uruchomieniem.
4. Ustaw urządzenie na płaskiej powierzchni o nachyleniu mniejszym niż 5°.
5. Urządzenie działa wydajniej w niektórych lokalizacjach pomieszczenia, wybierz najlepszą lokalizację
  - Obok okna, drzwi lub okna francuskiego.
  - Zachowaj wymaganą odległość od wylotu powietrza powrotnego do ściany lub innych przeszkód co najmniej 60 cm.
  - Rozciągnij wąż powietrzny, aby upewnić się, że drugi koniec węża powietrznego ma wolną przestrzeń między drzwiami, oknem, francuskim oknem lub otworem w ścianie.
  - Wylot powietrza lub wlot nie mogą być blokowane przez kratkę ochronną lub inną przeszkodę.

Aby przedłużyć żywotność urządzenia opróżnij skondensowaną wodę z otworów spustowych chłodnicy górnej (8) i dolnej (9) przed oddaniem urządzenia do przechowywania pod koniec sezonu.

#### OPIS URZĄDZENIA (Rysunki A i B)

- |  |                                    |
|--|------------------------------------|
| 1. Panel sterowania                    | 2. Wylot zimnego powietrza         |
| 3. Receptor sygnału                    | 4. Pilot zdalnego sterowania       |
| 5. Uchwyt transportowy                 | 6. Przewód wylotowy                |
| 7. Wlot parownika                      | 8. Otwór spustowy chłodnicy górnej |
| 9. Otwór spustowy chłodnicy dolnej     | 10. Rura wylotowa powietrza        |
| 11. Złącze kanału wylotowego powietrza | 12. Adapter wyciągu okna           |

#### PANEL KONTROLNY (Rysunek C)

- |   |  |
|---|--|
| A. Przycisk zasilania ON / OFF                        | B. Przycisk prędkości wentylatora            |
| C. Przycisk trybu                                     | D. Przycisk zwiększania timera / temperatury |
| E. Przycisk obniżania czasu / temperatury             | F. Przycisk niskiej prędkości                |
| G. Przycisk wysokiej prędkości                        | H. Wskaźnik zasilania                        |
| I. Przycisk funkcji uśpienia i blokady rodzicielskiej | J. Tryb automatyczny                         |
| K. Tryb chłodzenia                                    | L. Tryb osuszania                            |
| M. Tryb wentylatora                                   | N. Przycisk timera                           |
| O. Przycisk oscylacji                                 | P. Zabezpieczenie przed dziećmi              |

#### PILOT ZDALNEGO STEROWANIA – rysunek D

Pilot zdalnego sterowania przesyła sygnały do systemu.

Przycisk „A” - naciśnięcie tego przycisku spowoduje włączenie urządzenia pod napięciem lub zatrzymanie podczas pracy.

Przycisk „C” - naciśnij go, aby wybrać tryb pracy: „J”, „K”, „L” lub „M”.

Przycisk „B” - naciśnij go, aby kolejno wybrać prędkość wentylatora.

Przycisk „D” / „E” - naciśnij, aby ustawić temperaturę pokojową i timer.

Przycisk „I” - naciśnij, aby ustawić lub anulować tryb uśpienia.

Przycisk „N” - naciśnij, aby ustawić czas automatycznego wyłączenia i automatycznego włączania.

Przycisk „O” - naciśnij, aby ustawić lub anulować tryb wychylania żaluzji.

#### OBSŁUGA PANELU STERUJĄCEGO

##### AUTOMATYCZNY / CHŁODZENIE / OSUSZANIE / WENTYLATOR

1. Włącz urządzenie.

a) Podłącz urządzenie, a następnie urządzenie wyda jeden dźwięk. Kontrolka zasilania „H” świeci się.

b) Naciśnij przycisk „A”, a następnie urządzenie włączy się.

c) Dioda LED wyświetla temperaturę pokojową i zaczyna działać w trybie automatycznym.

2. Wybór trybu pracy

Naciśnij przycisk „C” aby wybrać pożądany tryb pracy według sekwencji:

Tryb automatyczny „J” -> Tryb chłodzenia „K” -> Tryb osuszania „L” -> Tryb wentylatora „M”

3. Wybór temperatury

Temperaturę można ustawić w zakresie 15–31 ° C. Naciśnij przycisk „D” lub „E”, aby zwiększyć lub zmniejszyć temperaturę o 1 ° C,

naciskając jeden raz. Panel LED urządzenia pokazuje temperaturę docelową przez 5 sekund, a następnie wyświetla temperaturę pokojową.

#### 4. Wybór prędkość wentylatora

Naciśnij przycisk „B”, aby wybrać żądaną prędkość wentylatora według sekwencji:

powolna prędkość „F” -> szybka prędkość „G”

#### 5. Moc

Po ponownym naciśnięciu przycisku „A” urządzenie wyda dźwięk „di”, wskaźnik zasilania „H” zgaśnie i przestanie działać.

6. Naciśnij ten przycisk „I”, aby przejść do trybu uśpienia urządzenia.

7. Naciśnij ten przycisk „N”, aby ustawić czasowe wyłączenie.

8. Naciśnij ten przycisk „O”, aby ustawić oscylację wahadłową powietrza w górę i w dół.

Zasada działania każdego trybu:

#### Tryb AUTO „J”

Po wybraniu trybu „J” czujnik temperatury wewnętrznej działa automatycznie i wybiera jeden z trybów pracy:

- Gdy temperatura w pomieszczeniu wynosi  $\geq 24$  , urządzenie automatycznie wybierze tryb chłodzenia „K”.

lub

- Gdy temperatura w pomieszczeniu  $< 24$  , urządzenie automatycznie wybierze tryb wysokiej prędkości wentylatora „M”.

#### Tryb osuszania „L”

1. Górny wentylator odśrodkowy będzie pracował z niską prędkością, prędkości nie można regulować.

2. Sprężarka zatrzyma się po 8 minutach pracy, a następnie uruchomi się ponownie po 6 minutach.

3. Urządzenie przyjmuje tryb stałej temperatury osuszania, a regulacja temperatury nie jest skuteczna.

#### UWAGA:

Podczas pracy urządzenia w warunkach zmiennej wilgotności, otwór spustowy chłodnicy dolnej (9) powinien być stale otwarty i mieć zapewniony stały odpływ wody.

#### Tryb CHŁODZENIA „K”

1. Gdy temperatura w pomieszczeniu jest wyższa niż temperatura ustawiona na panelu sterowania, sprężarka zaczyna pracować.

2. Gdy temperatura w pomieszczeniu jest niższa niż temperatura ustawiona na panelu sterowania, sprężarka zatrzymuje się, a górny wentylator pracuje z pierwotnie ustawioną prędkością.

#### Tryb wentylatora „M”.

1. Górny wentylator odśrodkowy pracuje z ustawioną prędkością, a sprężarka nie pracuje.

2. Regulacja temperatury nie jest skuteczna.

#### Działanie timera „N”

1. Naciśnij przycisk „N”, aby ustawić czas automatycznego wyłączenia podczas pracy urządzenia.

2. Naciśnij przycisk „N”, aby ustawić czas automatycznego włączenia, gdy urządzenie jest gotowe.

3. Czas można ustawić w zakresie od 1 godziny do 24 godzin, naciskając przycisk „D” ( + ) lub „E” ( - ) .

#### Tryb uśpienia „I” & funkcja blokady rodzicielskiej

1. Tryb uśpienia działa, gdy urządzenie znajduje się w trybie chłodzenia „K”.

2. Naciśnij przycisk „I” w trybie chłodzenia „K”, wówczas urządzenie będzie działać w trybie uśpienia, a wentylator odśrodkowy automatycznie przełączy się na niską prędkość. Ustawiona temperatura wzrośnie o 1 po jednej godzinie i wzrośnie o 2 po dwóch godzinach. Po sześciu godzinach urządzenie zatrzyma działanie.

3. Naciśnij przycisk blokady rodzicielskiej „I” przez trzy sekundy, aby uniemożliwić korzystanie z wszystkich innych funkcji. Naciśnij ponownie przez 3 sekundy, aby odblokować funkcję blokady rodzicielskiej, podczas gdy wszystkie pozostałe funkcje będą mogły ponownie korzystać.

#### 4. Praca w trybie kołysania - Swing „O”

Gdy urządzenie jest włączone, naciśnij przycisk „O”, żaluzja pionowa zostanie włączona lub wyłączona. Po włączeniu żaluzja może się obracać w przód i w tył w zakresie 60 stopni. Naciśnij ponownie przycisk „O”, żaluzja przestanie się kołysać.

#### UWAGA:

Główna płyta sterująca ma funkcję pamięci, gdy urządzenie jest gotowe do pracy, ale w stanie zatrzymania, główna płyta sterująca może zapamiętać inicjalizację trybu pracy. Po włączeniu urządzenie będzie działało tak samo jak w trybie roboczym jak ostatnio, nie ma potrzeby ponownego resetowania trybu roboczego. (Ten warunek nie jest dostępny, gdy urządzenie znajduje się w trybie AUTO „J”.)

#### PILOT ZDALNEGO STEROWANIA

1. Przesuń tylną pokrywę, aby otworzyć i zdejmij folię izolacyjną z baterii.
2. Włóż baterie do gniazda, zgodnie z oznaczeniami „+” i „-” na pilocie.
3. Przez długi czas nieużywania wyjmij baterie.
4. Aby zapobiec zanieczyszczeniu środowiska, wyjmij zużyte baterie i zutylizuj je w odpowiedni sposób.

Aby obsługiwać urządzenie, skieruj pilot zdalnego sterowania (4) na odbiornik sygnału. Pilot zdalnego sterowania będzie obsługiwał urządzenie w odległości 5 metrów, wskazując na odbiornik sygnału urządzenia.

#### URZĄDZENIA OCHRONNE - ZABEZPIECZENIA

Urządzenie ochronne może się załączyć i zatrzymać urządzenie w przypadkach wymienionych poniżej:

1. w trybie chłodzenia: temperatura powietrza w pomieszczeniu przekracza 43 ° C (109 ° F)
2. w trybie chłodzenia: temperatura pokojowa jest niższa niż 15 ° C (59 ° F)
3. w trybie osuszania: temperatura pokojowa jest niższa niż 15 ° C (59 ° F).

Jeśli urządzenie działa w trybie chłodzenia "K" lub osuszania "L", a drzwi lub okno są otwarte przez długi czas, gdy wilgotność względna przekracza 80%, rosa może kapać z wylotu.

Urządzenie ochronne będzie działać w następujących przypadkach:

1. Ponowne uruchomienie urządzenia od razu po zatrzymaniu pracy lub zmiana wybranego trybu podczas pracy, musisz poczekać 3 minuty.
2. Jeśli wtyczka została wyjęta, po ponownym uruchomieniu urządzenie powróci do pierwotnego trybu, TIMER ON i TIMER OFF - należy ustawić ponownie.

UWAGA: w tym urządzeniu ukryty jest recykling wody kondensacyjnej. Woda kondensacyjna jest częściowo utrzymywana w obiegu między skraplaczem a płytą wodną. Kiedy poziom wody podnosi się do wyższego poziomu, włącznik pływakowy i wskaźnik zapelnienia wody (E4) świecą, aby przypomnieć o spuszczeniu wody. Odłącz zasilanie, przenieś urządzenie w odpowiednie miejsce, wyjmij korek spustowy i całkowicie spuść wodę. Po odpływie wody ponownie zainstaluj korek, w przeciwnym razie urządzenie może wyciekać i powodować zawilgocenie pokoju.

Jeśli urządzenie jest ustawione w pozycji wypuszczającej wodę spustową, możesz również podłączyć otwór spustowy do portu spustowego, aby spuścić wodę. Do zestawu dołączona jest rura odpływowa o średnicy wewnętrznej 9mm, średnicy zewnętrznej 12mm, materiał: PVC.

#### ROZWIĄZYWANIE TYPOWYCH PROBLEMÓW

1) Problem: nie działa.

Analiza:

a) może zadziałało zabezpieczenie lub przepalił się bezpiecznik, poczekaj 3 minuty i uruchom ponownie, urządzenie zabezpieczające

może uniemożliwiać działanie urządzenia.

c) być może baterie w pilocie są wyczerpane.

d) być może wtyczka nie jest prawidłowo podłączona.

2) Problem: działa tylko przez krótki czas

Analiza:

a) jeśli ustawiona temperatura jest zbliżona do temperatury pokojowej, można obniżyć ustawioną temperaturę.

b) być może wylot powietrza jest zablokowany przez przeszkodę. Usuń przeszkodę.

3) Problem: Działa, ale nie chłodzi

Analiza:

a) może drzwi lub okno są otwarte.

b) może w bliskiej odległości znajduje się inne urządzenie działające na ciepło, takie jak grzejnik lub lampa itp.

c) filtr powietrza jest brudny, proszę go wyczyścić.

d) wylot lub wlot powietrza jest zablokowany.

f) ustawiona temperatura jest za wysoka.

4) Problem: wyciek wody podczas ruchu.

Analiza:

a) spuścić skropliny przed transportem.

b) aby uniknąć wycieku wody, umieść urządzenie na płaskim podłożu.

5) Problem: Nie działa i świeci się wskaźnik zapelnienia wodą „E4”

Analiza:

a) wyciągnij gumową zatyczkę, aby spuścić wodę.

b) jeśli często jest w tym stanie, skontaktuj się z wykwalifikowanym serwisem technicznym.

6) Problem: Urządzenie nie uruchamia się.

Analiza:

a) może nie jest podłączony. Więc podłącz to.

b) może uszkodzona jest wtyczka lub gniazdo. Wymiana w autoryzowanym serwisie..

c) może zepsuty bezpiecznik. Wymień bezpiecznik w autoryzowanym serwisie. (specyfikacja: 3,15A / 250VAC).

7) Problem: urządzenie automatycznie się zatrzymuje.

Analiza:

a) czas został wyłączony lub osiągnięta została ustawiona temperatura. Uruchom go ponownie lub poczekaj na automatyczne przełączanie.

8) Problem: brak zimnego powietrza w trybie chłodzenia „K”.

Analiza:

a) temperatura pokojowa jest niższa niż temperatura ustawiona. Jest to normalne zjawisko, urządzenie przełącza się automatycznie, gdy temperatura w pomieszczeniu jest wyższa niż temperatura ustawiona.

b) Urządzenie wchodzi w ochronę przeciwzamrożeniową. Urządzenie przełączy się automatycznie po zakończeniu ochrony przeciwzamrożeniowej.

9) Problem: LED wyświetla kod błędu „E2”

Analiza:

a) czujnik temperatury pomieszczenia uległ awarii lub uszkodzeniu. Wymień czujnik temperatury pokojowej w autoryzowanym serwisie.

10) Problem: LED wyświetla kod błędu „E3”

Analiza:

a) czujnik rury olejowej parownika nie działa lub jest uszkodzony. Wymień czujnik rurki węzownicy parownika w autoryzowanym serwisie.



11) Problem: LED wyświetla kod błędu „E4”

Analiza:

a) ostrzeżenie o napełnieniu wodą. Spuścić wodę.

## KONSERWACJA I CZYSZCZENIE

Konserwacja urządzenia

1. Najpierw wyłącz urządzenie przed odłączeniem zasilania.
2. Wytrzyj miękką i suchą ściereczką. Użyj letniej wody o temperaturze poniżej 40 ° C, aby wyczyścić, jeśli urządzenie jest bardzo brudne.
3. Nigdy nie używaj lotnych substancji, takich jak benzyna lub proszek do polerowania, do czyszczenia urządzenia.

Konserwacja filtra powietrza

Konieczne jest czyszczenie filtra powietrza co 2 tygodnie, jeśli urządzenie pracuje w wyjątkowo zapyłonym otoczeniu. Wyczyść w następujący sposób:

1. Najpierw zatrzymaj urządzenie, podnieś filtr powietrza (zdjęcie F).
2. Wyczyść i ponownie zainstaluj filtr powietrza.
3. Jeśli brud jest widoczny, umyj go roztworem detergentu w letniej wodzie. Po wyczyszczeniu wysusz go w zacienionym i chłodnym miejscu, a następnie zainstaluj ponownie.

Konserwacja po użyciu

1. Jeśli urządzenie nie będzie używane przez dłuższy czas, należy wyciągnąć gumową zatyczkę z górnego i dolnego otworu spustowego chłodnicy (8) i (9) aby spuścić wodę .
2. Trzymaj urządzenie włączone wyłącznie w trybie wentylatorem przez pół dnia w słoneczny dzień, aby wysuszyć urządzenie w środku i zapobiec zabrudzeniu.
3. Zatrzymaj urządzenie i wyciągnij wtyczkę przewodu zasilającego, a następnie wyjmij baterie z pilota zdalnego sterowania i odpowiednio przechowuj urządzenie.
4. Wyczyść filtr powietrza i zainstaluj go ponownie.
5. Wyjmij węże powietrzne i przechowuj je prawidłowo, a następnie szczelnie zakryj otwór.

## DANE TECHNICZNE:

Wydajność chłodzenia w BTU: 9000 BTU / godzinę

Wydajność chłodzenia w watach: 2600

Pobór energii (chłodzenie) W: 950 W

Głośność: <= 65dB

Przepływ powietrza: 380 m<sup>3</sup>/h

Klasa energetyczna: A

Czasomierz: 24 godziny

Czynnik chłodzący R290 waga: maksymalnie 200 gramów



Uwaga, ryzyko pożaru.  
NIE przekłuwać ani nie podpalać.  
Należy pamiętać, że czynnik chłodniczy może być bezwonny.  
Maksymalna ilość czynnika chłodniczego: 200 g.

شروط السلامة. تعليمات هامة لسلامة الاستخدام. يرجى القراءة بعناية والاحتفاظ بها للرجوع إليها في المستقبل

١. قبل استخدام الجهاز ، اقرأ دليل التشغيل واتبع التعليمات الواردة فيه. المُصنَّع غير مسؤول عن الأضرار الناجمة عن استخدام الجهاز خلافاً للغرض المقصود منه أو التشغيل غير السليم.
٢. الجهاز للاستخدام المنزلي فقط. لا تستخدمه لأغراض أخرى ليست للغرض المقصود منها.
٣. يجب توصيل الجهاز بأخذ تيار متردد فقط مع ٢٢٠-٢٤٠ فولت ~ ٥٠ هرتز. لزيادة السلامة التشغيلية.
٤. يجب عدم توصيل العديد من الأجهزة الكهربائية بدائرة تيار واحدة في نفس الوقت ،  
توخي الحذر الشديد عند استخدام الجهاز عندما يكون الأطفال في مكان قريب. لا تسمح للأطفال باللعب بالجهاز ، ولا تسمح للأطفال أو الأشخاص غير المعتادين على الجهاز باستخدامه
٥. تحذير: يمكن استخدام هذا الجهاز من قبل الأطفال الذين تزيد أعمارهم عن ٨ سنوات والأشخاص ذوي القدرات البدنية أو الحسية أو العقلية المحدودة ، أو الأشخاص الذين ليس لديهم خبرة أو معرفة بالمعدات إذا تم ذلك تحت إشراف شخص مسؤول حفاظاً على سلامتهم أو منحهم معلومات عن الاستخدام الآمن للجهاز وإدراكهم لأخطار استخدامه. يجب ألا يلعب الأطفال بالمعدات. لا ينبغي أن يقوم الأطفال بتنظيف الجهاز وصيانته ، إلا إذا كان عمره أكبر من ٨ سنوات ويتم تنفيذ هذه الأنشطة تحت إشراف
٦. أفضل قابس الطاقة دائماً عن طريق إمساك المقبس بيدك بعد الاستخدام. لا تسحب سلك الطاقة.
٧. لا تغمر الكابل والقياس والجهاز بالكامل في الماء أو أي سائل آخر. لا تعرض الجهاز للظروف الجوية (مطر ، شمس ، إلخ) أو تستخدمه في ظروف الرطوبة العالية (الحمامات ، المنازل المتنقلة الرطبة) افحص بشكل دوري حالة سلك الطاقة. في حالة تلف سلك الطاقة ، يجب استبداله بمحل إصلاح متخصص لتجنب الخطر
٩. لا تستخدم الجهاز مع سلك طاقة تالف أو إذا سقط أو تعرض للتلف بأي طريقة أخرى أو إذا كان لا يعمل بشكل صحيح. لا تقم بإصلاح الجهاز بنفسك ، حيث يوجد خطر حدوث صدمة كهربائية. خذ الجهاز التالف إلى مركز خدمة مناسب لفحصه أو إصلاحه. لا يجوز إجراء جميع الإصلاحات إلا من خلال نقاط الخدمة المعتمدة. يمكن أن تتسبب الإصلاحات التي يتم إجراؤها بشكل غير صحيح في خطر كبير على المستخدم
١٠. ضع الجهاز على سطح بارد وثابت ، بعيداً عن أجهزة المطبخ الساخنة مثل: الموقد الكهربائي ، وموقد الغاز ، وما إلى ذلك
- تأكد من عدم وجود أي شيء يسد مدخل ومخرج الهواء بالجهاز.
١١. استخدم الجهاز فقط على سطح مستوٍ لمنع التكداس من الانسكاب
١٢. في الدائرة الكهربائية بتيار متبقي (RCD) لتوفير حماية إضافية ، يُنصح بتركيب جهاز التيار المتبقي.
١٣. مُفقد لا يتجاوز ٣٠ ملي أمبير. اسأل كهربائياً عن هذا
١٤. نظف مرشح الهواء بانتظام. يعتمد تكرار التنظيف على نظافة الهواء
١٥. بعد إيقاف تشغيل الجهاز ، انتظر ٥ دقائق على الأقل قبل إعادة تشغيله
١٦. لا تستخدم الجهاز في الأماكن المشمسة. عندما ترتفع درجة حرارة الجهاز ، سيتم تشغيل الحماية من الحرارة الزائدة على الجهاز
١٧. لضمان التبريد الفعال ، يجب إبقاء مسافة لا تقل عن ٥٠ سم بين الجدران الجانبية للجهاز والحائط أو الأثاث أو الستائر
١٨. نظراً للأداء المحدود للجهاز ، إذا كان الفرق بين درجة الحرارة المستهدفة ودرجة الحرارة المحيطة
١٩. لتقليل مخاطر نشوب حريق أو صدمة كهربائية أو إصابة عند استخدام مكيف الهواء ، يجب مراعاة

## الاحتياطات الأساسية التالية:

(أ) قم بالتوصيل بمخرج مؤرض بثلاثة دبابيس

(ب) لا تقم بإزالة سن التأريض

(ج) لا تستخدم المحول

(د) لا تستخدم سلك تمديد

(هـ) افصل مكيف الهواء قبل الصيانة

(و) استخدم شخصين أو أكثر لتحريك وتركيب المكيف

لا تستخدم عوامل تسرع من عملية إزالة الجليد أو التنظيف بخلاف تلك التي أوصت بها الشركة . ٢٠  
المصنعة

يجب أن يتم تخزين الجهاز في غرفة دون تشغيل مصادر الاشتعال باستمرار ، على سبيل المثال ٢١ .  
النار المفتوحة ، أجهزة الغاز أو السخانات الكهربائية

(قبل الاستخدام الأول - الصورة هـ)

قم بتوصيل الموصلات بمجرى العادم كما يلي

قم بتمديد مجرى الهواء العادم (10) عن طريق سحب طرفي القناة 1.

(اربط أنبوب عادم الهواء (10) في موصل مجرى عادم الهواء (11) 2.

قم بتوصيل موصل مجرى الهواء (11) بالجهاز 3.

ملاحظات:

1. احتفظ بالوحدة على بعد متر واحد على الأقل من التلفزيون أو أجهزة الراديو لتجنب التداخل الكهرومغناطيسي.

2. لا تعرض الوحدة تحت أشعة الشمس المباشرة لتجنب تلاشي لون السطح.

3. لا تقم بإزالة الوحدة لأكثر من 35 درجة أو رأساً على عقب أثناء النقل. إذا تم قلب الجهاز أثناء النقل ، فضعه بشكل صحيح وانتظر 2-4 ساعات قبل بدء تشغيله.

4. ضع الوحدة على سطح مستو مع ميل أقل من 5 درجات.

5. تعمل الوحدة بكفاءة أكبر في مواقع معينة من الغرف ، حدد أفضل مكان.

بجانب نافذة أو باب أو نافذة فرنسية -

حافظ على المسافة المطلوبة من مخرج الهواء الراجع إلى الحائط أو أي عوائق أخرى 60 سم على الأقل -

قم بمد خرطوم الهواء للتأكد من أن الطرف الآخر من خرطوم الهواء به خلوص بين باب النافذة ، أو النافذة الفرنسية ، أو فتحة الحائط -

لا يمكن سد مخرج أو مدخل الهواء بشبكة واقية أو أي عائق -

لإطالة عمر الوحدة ، قم بتصريف المياه المكثفة من فتحات تصريف البرودة العلوية (8) والسفلية (9) قبل وضع الوحدة في التخزين في نهاية الموسم

(وصف الجهاز (الصور أ و ب

1. لوحة التحكم

2. مخرج الهواء البارد

3. مستقبِل الإشارة

4. تحكم عن بعد

5. مقبض النقل

6. أنبوب العادم

7. مدخل المبخِر

8. فتحة تصريف المبرد العلوي

9. أسفل فتحة تصريف المبرد

10. مجرى الهواء العادم

11. موصل مجرى الهواء العادم

12. محول عادم النافذة

(لوحة التحكم (الصورة ج

A. ON / OFF زر التشغيل

ب. زر سرعة المروحة

ج. زر الوضع

D. المؤقت / زر رفع درجة الحرارة

E. زر المؤقت / خفض درجة الحرارة

F. زر السرعة المنخفضة

زر السرعة العالية

مؤشر الطاقة

أولا زر النوم وقفل الأطفال  
الوضع التلقائي J.  
الوضع البارد K.  
وضع إزالة الرطوبة L.  
وضع المروحة M.  
زر الموقت N.  
التذبذب O زر  
قفل الأطفال P.

جهاز التحكم عن بعد - الصورة د  
ترسل وحدة التحكم عن بعد إشارات إلى النظام  
زر "M" - سيبدأ تشغيل الجهاز عند تنشيطه أو سيتم إيقافه عندما يكون قيد التشغيل ، إذا ضغطت على هذا الزر  
"M" أو "L" أو "K" أو "J": اضغط عليه لتحديد وضع التشغيل - "C" زر  
زر "ب" - اضغط عليه لاختيار سرعة المروحة بالتسلسل  
اضغط لضبط درجة حرارة الغرفة والموقت - "E" / "D" زر  
اضغط لضبط أو إلغاء وضع السكون - "I" زر  
اضغط لضبط وقت الإيقاف التلقائي والتشغيل التلقائي - "N" زر  
اضغط لضبط أو إلغاء وضع تأرجح الفتحات - "O" زر

تشغيل لوحة التحكم

أوتوماتيكي / بارد / جاف / مروحة

1. قم بتشغيل الجهاز.  
قيد التشغيل "H" (أ) قم بتوصيل الجهاز ثم يصدر الجهاز صوتاً مرة واحدة. ضوء الطاقة  
(ب) اضغط على الزر "I" ، ثم سيتم تشغيل الجهاز  
درجة حرارة الغرفة ويبدأ العمل في الوضع التلقائي LED (ج) يعرض الصمام الثنائي

2. اختر وضع التشغيل  
لتحديد وضع التشغيل المطلوب بالتسلسل "C" اضغط على الزر  
"M" وضع المروحة -> "L" وضع التجفيف -> "K" وضع التبريد -> "J" الوضع التلقائي

3. ضبط درجة الحرارة  
لزيادة أو خفض درجة الحرارة بمقدار 1 درجة مئوية عن "E" أو "D" يمكن ضبط درجة الحرارة في نطاق 15 درجة -31 درجة مئوية. اضغط على الزر  
للجهاز درجة الحرارة المستهدفة لمدة 5 ثوان ثم تعرض درجة حرارة الغرفة LED طريق الضغط مرة واحدة. تعرض لوحة

4. ضبط سرعة المروحة  
لاختيار سرعة المروحة المرغوبة التي تظهر بالتسلسل "B" اضغط على الزر  
G سرعة عالية -> "F" سرعة منخفضة

5. القوة  
ويتوقف عن العمل "H" وينطفئ مؤشر الطاقة "H" مرة أخرى ، سيصدر الجهاز صوت "A" عندما تضغط على الزر  
للدخول إلى وضع السكون بالجهاز "I" اضغط على هذا الزر. 6.

7. لضبط وقت إيقاف التشغيل "N" اضغط على هذا الزر.

8. لضبط تأرجح الهواء من أعلى إلى أسفل "O" اضغط على هذا الزر.

بكل مبدأ عمل وضع

"J" الوضع التلقائي  
يعمل مستشعر درجة الحرارة في الداخل تلقائياً ويختار أحد أوضاع التشغيل التالية "J" بمجرد تحديد العملية  
"K" عندما تكون درجة حرارة الغرفة 24 ستختار الوحدة تلقائياً وضع التبريد -  
أو  
"M" .. عندما تكون درجة حرارة الغرفة 24 ، ستختار الوحدة تلقائياً وضع سرعة المروحة العالية -

"L" إزالة الرطوبة من الوضع  
سوف تعمل مروحة الطرد المركزي بسرعة منخفضة ، ولا يمكن تعديل السرعة. 1.  
سيتوقف الضاغط بعد التشغيل لمدة 8 دقائق ، ثم يعمل مرة أخرى بعد 6 دقائق 2.  
يعتمد الجهاز وضع إزالة الرطوبة بدرجة حرارة ثابتة ، وتعديل درجة الحرارة غير فعال 3.

تحتوي:  
عند تشغيل الجهاز في ظروف الرطوبة المتفاوتة ، يجب فتح فتحة تصريف المبرد السفلي (9) باستمرار وضمان تصريف مستمر للمياه

"K": وضع COOL

- عندما تكون درجة حرارة الغرفة أعلى من درجة الحرارة المحددة على لوحة التحكم ، يبدأ الضاغط في العمل
- عندما تكون درجة حرارة الغرفة أقل من درجة الحرارة المحددة على لوحة التحكم ، يتوقف الضاغط وتعمل المروحة العلوية بالسرعة الأصلية المحددة.

"M": مروحة وضع

- تعمل مروحة الطرد المركزي في السرعة المحددة ، ولا يعمل الضاغط.
- تعديل درجة الحرارة غير فعال.

"N": عملية المؤقت

- لضبط وقت إيقاف التلقائي أثناء تشغيل الوحدة "N" اضغط على زر 1.
- لضبط وقت التشغيل التلقائي عندما تكون الوحدة جاهزة "N" اضغط على زر 2.
- "E" أو + "D" يمكن ضبط الوقت في نطاق من ساعة إلى 24 ساعة بالضغط على الزر 3.

ووظيفة قفل الأطفال "I" تشغيل وضع السكن

- "K": يعمل وضع السكن عندما تكون الوحدة في وضع التبريد 1.
- ثم ستعمل الوحدة في وضع السكن وستتحول مروحة الطرد المركزي إلى سرعة منخفضة تلقائيًا. ستزداد درجة "K" في الوضع البارد "I" اضغط على الزر 2.
- الحرارة التي تم ضبطها بمقدار 1 درجة مئوية بعد ساعة واحدة ، وتزيد بمقدار 2 درجة مئوية بعد ساعتين. بعد ست ساعات ستوقف الوحدة عن العمل لمدة ثلاث ثوانٍ حتى لا تتمكن من استخدام جميع الوظائف الأخرى. اضغط لمدة 3 ثوانٍ مرة أخرى لفتح وظيفة قفل الأطفال "I" اضغط على زر قفل الأطفال 3.
- وفي الوقت نفسه ستكون جميع الوظائف الأخرى قادرة على الاستخدام مرة أخرى

"O": عملية وضع التارجح

- سيتم تشغيل الفتحة الرأسية أو إيقاف تشغيلها. عندما تكون الفتحة قيد التشغيل ، يمكن أن تتأرجح للخلف "O" عندما يكون الجهاز قيد التشغيل ، اضغط على الزر مرة أخرى ، ستوقف الفتحة عن التارجح "O" وللأمام في حدود 60 درجة. اضغط على الزر

تحتوي:

تحتوي لوحة التحكم الرئيسية على وظيفة الذاكرة ، عندما يكون الجهاز جاهزًا للتشغيل ولكن في حالة التوقف ، يمكن للوحة التحكم الرئيسية حفظ تهيئة وضع العمل. عند تشغيل الوحدة ، فإنها ستعمل بنفس تفعيل وضع العمل كما في المرة السابقة ، ولا حاجة لإعادة ضبط وضع العمل مرة أخرى. (لا تتوفر هذه الحالة "J") عندما تكون الوحدة في الوضع التلقائي

جهاز التحكم

- حرك الغطاء الخلفي لفتحه واخلع فيلم العزل عن البطاريات 1.
  - ضع البطاريات داخل الفتحة ، يجب أن تتوافق مع علامتي "+" و "-" على جهاز التحكم عن بعد 2.
  - لوقت طويل لا فائدة ، أخرج البطاريات 3.
  - لمنع التلوث البيئي ، قم بإخراج البطاريات المستعملة وتخلص منها بأمان وبشكل مناسب 4.
- للتشغيل الجهاز ، وجه جهاز التحكم عن بعد (..) نحو مستقبل الإشارة. ستعمل وحدة التحكم عن بعد على تشغيل الجهاز على مسافة 5 أمتار عند الإشارة إلى مستقبل إشارة الجهاز

وسائل وقائية

قد يتعثر جهاز الحماية ويوقف الجهاز في الحالات المذكورة أدناه

- (في وضع التبريد: درجة حرارة الهواء الداخلي تزيد عن 43 درجة مئوية) 109 درجة فهرنهايت 1.
  - (في وضع التبريد: درجة حرارة الغرفة أقل من 15 درجة مئوية) 59 درجة فهرنهايت 2.
  - (في وضع إزالة الرطوبة: درجة حرارة الغرفة أقل من 15 درجة مئوية) 59 درجة فهرنهايت 3.
- مع فتح الباب أو النافذة لفترة طويلة عندما تكون الرطوبة النسبية أعلى من 80% ، فقد يتساقط "L" أو إزالة الرطوبة "K" إذا كان الجهاز يعمل في وضع التبريد النذرى من المخرج

سيعمل جهاز الحماية في الحالات التالية

- إعادة تشغيل الجهاز مباشرة بعد توقف العمل أو تغيير الوضع المحدد أثناء العمل ، يجب الانتظار 3 دقائق 1.
- يجب ضبطها مرة أخرى - TIMER OFF و TIMER ON ، إذا تمت إزالة القابس ، بعد إعادة تشغيل الجهاز سيعود إلى الوضع الأصلي 2.

ملاحظة: هناك إعادة تدوير لمياه التكثيف مخابئة داخل هذه الوحدة. يتم إعادة تدوير مياه التكثيف جزئيًا بين المكثف ووحدة الماء. عندما يرتفع مستوى الماء إلى لتذكير تصريف المياه. يرجى قطع التيار الكهربائي ، ونقل الجهاز إلى مكان مناسب ، وإزالة (E4) المستوى الأعلى ، بضيء مفتاح العوامة ومؤشر امتلاء الماء قابس التصريف ، وتصريف المياه تمامًا. بعد الصرف ، أعد تركيب القابس ، وإلا فقد يتسرب الجهاز ويجعل غرفتك رطبة

إذا تم وضع الجهاز في وضع يسمح بإدخال مياه الصرف ، يمكنك أيضًا توصيل فتحة التصريف بمنفذ الصرف لتصريف المياه. لا يتم إضافة أنبوب الصرف إلى PVC. :إيضاف أنبوب الصرف إلى المجموعة ، بقطر داخلي 9 ملم ، و قطر خارجي 12 ملم ، مادة: بولي كلوريد الفينيل

استكشاف الأخطاء وإصلاحها

مشكلة: لا تعمل 1)

تحليل

- أ) ربما تم تفجير رحلة الحماية أو المصهر ، يرجى الانتظار لمدة 3 دقائق والبدء مرة أخرى ، قد يمنع جهاز الحماية الجهاز من العمل  
ج) ربما نفذت البطاريات الموجودة في جهاز التحكم عن بعد  
د) ربما لم يتم توصيل القابس بشكل صحيح  
مشكلة: تعمل لفترة قصيرة فقط 2)

تحليل

- أ) إذا كانت درجة الحرارة المحددة قريبة من درجة حرارة الغرفة ، فيمكنك خفض درجة الحرارة المحددة  
ب) ربما يكون مخرج الهواء مسدودًا بعائق. تخلص من العقبة  
مشكلة: يعمل ولكن لا يبرد 3)

تحليل

- أ) ربما باب أو نافذة مفتوحة  
ب) ربما يوجد على مسافة قريبة جهاز آخر يعمل بالحرارة مثل السخان أو المصباح ، إلخ  
ج) مرشح الهواء متسخ ، يرجى تنظيفه  
د) يتم حظر مخرج الهواء أو السحب  
و) ضبط درجة الحرارة مرتفعة للغاية  
مشكلة: تسرب المياه أثناء الحركة 4)

تحليل

- أ) قم بتصريف المكثف قبل التحرك  
ب) لتجنب تسرب المياه ، يرجى وضع الجهاز على أرض مستوية  
"E4" مشكلة: لا تعمل والمياه مؤشر كامل 5)

تحليل

- أ) اسحب السدادة المطاطية لتصريف المياه  
ب) إذا كان غائبًا في هذه الحالة ، يرجى الاتصال بفني الخدمة المؤهل  
استكشاف الأخطاء وإصلاحها

مشكلة: فشل الجهاز في بدء التشغيل 6)

تحليل

- أ) ربما لا يسد. لذا ، قم بتوصيله  
ب) ربما أضرار القابس أو المقبس. استبدل بمقدم الخدمة  
(A / 250VAC) ج) ربما كسر الصمامات. استبدل المصهر بمزود الخدمة (المواصفات: 3،15،  
مشكلة: الجهاز يتوقف تلقائيًا 7)

تحليل

- أ) توقيت إغلاق أو ضبط درجة الحرارة وصلت. أعد تشغيله أو انتظر التبديل التلقائي  
"K" COOL مشكلة: لا يوجد هواء بارد في وضع 8)

تحليل

أ) درجة حرارة الغرفة أقل من درجة الحرارة المحددة. إنها ظاهرة طبيعية ، سيتم تبديل الجهاز تلقائيًا بينما تكون درجة حرارة الغرفة أعلى من درجة الحرارة المحددة.

- ب) يدخل الجهاز في الحماية ضد الصقيع. سيتحول الجهاز تلقائيًا بعد انتهاء الحماية من الصقيع  
"E2" يعرض رمز الفشل LED مشكلة: مؤشر 9)

تحليل

- أ) فشل أو تلف جهاز استشعار درجة حرارة الغرفة. استبدل مستشعر درجة حرارة الغرفة بمقدم الخدمة  
"E3" يعرض رمز الفشل LED مشكلة: مؤشر 10)

تحليل

- أ) جهاز استشعار أنبوب زيت المبخر عطل أو تالف. استبدل مستشعر أنبوب ملف المبخر بواسطة مزود الخدمة  
"E4" يعرض رمز الفشل LED مشكلة: 11)

تحليل

- أ) تحذير الماء الكامل. صفي الماء

التنظيف والصيانة

صيانة الجهاز

- قم بإيقاف تشغيل الجهاز أولاً قبل فصله عن مصدر الطاقة 1.  
امسح بقطعة قماش ناعمة وجافة. استخدم الماء الفاتر بدرجة حرارة أقل من 40 درجة مئوية للتنظيف إذا كان الطهي متسخًا جدًا 2.  
لا تستخدم أبدًا مادة متطايرة مثل البنزين أو مسحوق التلميع لتنظيف الجهاز 3.  
صيانة فلاتر الهواء

من الضروري تنظيف مرشح الهواء كل أسبوعين إذا كان الجهاز يعمل في بيئة متربة للغاية. نظف كما يلي

ف) أوقف الجهاز أولاً ، وادفع مرشح الهواء (الصورة 1.

قم بتنظيف مرشح الهواء وإعادة تركيبه 2.

إذا كانت الأوساخ ظاهرة ، اغسلها بمحلول منظف في ماء فاتر. بعد التنظيف جففها في مكان مظلل وبارد ، ثم أعد تركيبها 3.

الصيانة بعد الاستعمال



إذا لم يتم استخدام الجهاز لفترة أطول ، فتأكد من سحب القابس المطاطي الخاص بفتحة تصريف المبرد العلو . المبرد)9(لمنفذ التصريف ، من أجل تصريف المياه .  
استمر في تشغيل الجهاز بالمروحة لمدة نصف يوم فقط خلال يوم مشمس لتجفيف الجهاز بالداخل ومنع التتع .  
أوقف الجهاز واسحب قابس سلك الطاقة ، ثم أخرج بطاريات جهاز التحكم عن بعد وقم بتخزين الجهاز بشكل .  
نظف مرشح الهواء وأعد تركيبه .4  
قم بإزالة خراطيم الهواء وخزنها بشكل صحيح ، وقم بتغطية الفتحة بإحكام .5

معلومات تقنية:

وحدة حرارية بريطانية / الساعة 9000: BTU سعة التبريد عند  
سعة التبريد بالواط: 2600  
استهلاك الطاقة (تبريد) وات: 950 وات  
الحجم: <= 65 ديسيل  
تدفق الهواء: 380 م<sup>3</sup> / ساعة  
فئة الطاقة: أ  
الموقت: ٢٤ ساعة  
الحد الأقصى: 200 جرام R290 وزن سائل التبريد

الحذر من خطر نشوب حريق  
لا تخرق أو تحرق  
اعلم أن المبرد قد لا يحتوي على رائحة

يرجى نقل عبوات الورق المقوى إلى نفايات الورق. اسكب أكياس البولي إيثيلين في الحاوية البلاستيكية  
يجب إعادة الجهاز البالي إلى نقطة تخزين مناسبة لأنه خطير في الجهاز  
قد تشكل المكونات تهديداً للبيئة. يجب تسليم الجهاز الكهربائي للحد  
فعليك إخراجها وإعطائها إلى النقطة المخزنة بشكل منفصل، إعادة استخدامها واستخدامها. إذا كان هناك بطاريات في الجهاز



(BG) БЪЛГАРСКИ

## УСЛОВИЯ ЗА БЕЗОПАСНОСТ. ВАЖНИ ИНСТРУКЦИИ ЗА БЕЗОПАСНОСТ НА ИЗПОЛЗВАНЕ. МОЛЯ, ПРОЧЕТЕТЕ ВНИМАТЕЛНО И ПАЗЕТЕ ЗА БЪДЕЩИ РЕФЕРЕНЦИИ

1. Преди да използвате продукта, моля, прочетете внимателно и винаги спазвайте следните инструкции. Производителят не носи отговорност за щети, причинени от злоупотреба.
2. Продуктът трябва да се използва само на закрито. Не използвайте продукта за цели, които не са съвместими с приложението му.
3. Устройството трябва да бъде свързано само към променливотоков контакт със заземено напрежение 220 240V ~ 50Hz. За да се повиши безопасността при работа, няколко електрически устройства не трябва да бъдат свързани към един контакт едновременно.
4. Внимавайте изключително много, когато използвате устройството, когато децата са наблизо. Не позволявайте на децата да играят с устройството, не позволявайте на деца или хора, които не са запознати с устройството, да го използват.
5. ПРЕДУПРЕЖДЕНИЕ: Това оборудване може да се използва от деца над 8-годишна възраст и хора с ограничени физически, сензорни или умствени способности или хора, които нямат опит или познания за устройството, ако това се прави под наблюдението на отговорно лице за тяхната безопасност или им е била предоставена информация за безопасното използване на устройството и са наясно с опасностите от използването му. Децата не трябва да играят с оборудването. Почистването и поддръжката на устройството не трябва да се извършва от деца,

освен ако са на възраст над 8 години и тези дейности се извършват под наблюдение.

6. Винаги изключвайте щепсела след употреба, като държите контакта с ръка. НЕ дърпайте захранващия кабел.

7. Не потапяйте кабела, щепсела и цялото устройство във вода или друга течност. Не излагайте устройството на атмосферни условия (дъжд, слънце и др.) Не използвайте в условия на висока влажност (бани, влажни мобилни домове).

8. Периодично проверявайте състоянието на захранващия кабел. Ако захранващият кабел е повреден, той трябва да бъде заменен от специализиран сервиз, за да се избегне опасност.

9. Не използвайте уреда с повреден захранващ кабел или ако той е изпуснат или повреден по някакъв друг начин, или ако не работи правилно. Не ремонтирайте устройството сами, тъй като съществува риск от токов удар. Занесете повреденото устройство в подходящ сервизен център за проверка или ремонт. Всички ремонти могат да се извършват само от оторизирани сервизни центрове. Неправилно извършените ремонти могат да създадат сериозна опасност за потребителя.

10. Поставете устройството на хладна, стабилна повърхност, далеч от горещи кухненски уреди като: електрическа печка, газови котлони и др.

11. Уверете се, че нищо не блокира входа и изхода за въздух на устройството

12. Използвайте устройството само на равна повърхност, за да предотвратите изтичането на конденз.

13. За да се осигури допълнителна защита, препоръчително е да се инсталира устройство за остатъчен ток (RCD) в електрическата верига с номинален остатъчен ток, който не надвишава 30 mA. Попитайте електротехник за това.

14. Почиствайте редовно въздушния филтър. Честотата на почистване зависи от чистотата на въздуха.

15. След като изключите машината, изчакайте поне 5 минути, преди да я включите отново.

16. Не използвайте устройството на слънчеви места. Когато устройството прегрее, защитата от прегряване ще изключи устройството.

17. За да се осигури ефективно охлаждане, трябва да се спазва разстояние от поне 50 см между повърхността на устройството и стената, мебелите или завесите.

18. Поради ограничената производителност на устройството, ако разликата между целевата температура и околната температура е твърде голяма, целевата температура може да не бъде достигната.

19. За да намалите риска от пожар, токов удар или нараняване при използване на климатика, спазвайте следните основни предпазни мерки:

а) Свържете към заземен контакт с 3 щифта.

б) Не отстранявайте заземителния щифт.

в) Не използвайте адаптер.

г) Не използвайте удължителен кабел.



д) Изключете климатика преди сервизиране.

е) Използвайте двама или повече души за преместване и инсталиране на климатика.

20. Не използвайте почистващи средства, ускоряващи процеса на размразяване и различни от препоръчаните от производителя.

21. Устройството трябва да се съхранява в помещение без постоянни енергийни източници, например: открит огън, газови уреди или електрически нагреватели.

#### ПРЕДИ ПЪРВА УПОТРЕБА - (снимка Е)

Свържете съединителите към изпускателния канал за въздух, както следва:

1. Удължете въздуховодния канал (10), като изтеглите двата края на канала.
2. Завийте въздуховодния канал за въздух (10) за съединителя на изпускателния канал за въздух (11).
3. Свържете съединителя на изпускателния канал за въздух (11) към устройството.

#### ЗАБЕЛЕЖКИ:

1. Дръжте устройството на поне 1 метър от телевизора или радиото, за да избегнете електромагнитни смущения.
2. Не излагайте устройството на пряка слънчева светлина, за да избегнете избледняване на цвета на повърхността.
3. Не наклоняйте устройството за повече от 35 ° или с главата надолу, докато транспортирате. Ако устройството е било обърнато по време на транспортиране, поставете го правилно и изчакайте 2-4 часа, преди да го стартирате.
4. Поставете уреда върху равна повърхност с наклон под 5 °.
5. Уредът работи по-ефективно на определени места в помещенията, изберете най-доброто място:
  - До прозорец, врата или френски прозорец.
  - Спазвайте необходимото разстояние от най-малко 60 см между отвора за изход на въздуха и стената или други препятствия.
  - Удължете въздушната тръба, за да се уверите, че другият край се намира в изхода на вратичката на прозорец, френски прозорец или отвор на стена.
  - Изходът за въздух или приемът не могат да бъдат блокирани от защитна решетка или някакво препятствие.
- За да удължите живота на устройството, източете кондензираната вода от долният (9) и горният (8) дренажен отвор на охладителя, преди да поставите устройството на съхранение в края на сезона.

#### ОПИСАНИЕ НА УСТРОЙСТВОТО (снимки А и В)

- |   |  |
|---|--|
| 1. Контролен панел                              | 2. Изход за студен въздух                  |
| 3. Сигнален рецептор                            | 4. Дистанционно управление                 |
| 5. Транспортна дръжка                           | 6. Изпускателен канал                      |
| 7. Вход на изпарителя                           | 8. Горен дренажен отвор на охладителя      |
| 9. Долен дренажен отвор на охладителя           | 10. Изпускателен канал за въздух           |
| 11. Съединител на изпускателния канал за въздух | 12. Адаптер на отвор за монтаж на прозорец |

#### КОНТРОЛЕН ПАНЕЛ (снимка С)

- |  |  |
|--|--|
| A. Бутон за включване / изключване               | V. Бутон за скорост на вентилатора               |
| C. Бутон за режим                                | D. Бутон за таймер / повишаване на температурата |
| E. Бутон за таймер / понижаване на температурата | F. Бутон за ниска скорост                        |
| G. Бутон за висока скорост                       | H. Индикатор за включване                        |
| I. Бутон за заспиване и заключване за деца       | J. Автоматичен режим                             |
| K. Режим на охлаждане                            | L. Режим на сушене                               |
| M. Режим на вентилатор                           | N. Бутон на таймера                              |
| O. Бутон за осцилация (хоризонтално люлеене)     | P. Заключване за деца                            |

#### ДИСТАНЦИОННО УПРАВЛЕНИЕ - снимка D

Дистанционното управление предава сигнали към системата.

Бутон "А" - уредът ще стартира, когато е захранван или ще бъде спрян, когато работи, ако натиснете този бутон.

Бутон "В" - натиснете го, за да изберете последователно скоростта на вентилатора.

Бутон "С" - натиснете го, за да изберете режим на работа: "J", "K", "L" или "M".

Бутон "D" / "E" - натиснете, за да регулирате стайната температура и таймера.

Бутон "I" - натиснете, за да зададете или отмените режим на заспиване.

Бутон "N" - натиснете, за да зададете времето за автоматично изключване и автоматично включване.

Бутон "O" - натиснете, за да зададете или отмените режима на люлеене на решетката (осцилация)

## РАБОТА НА КОНТРОЛНИЯ ПАНЕЛ АВТОМАТИЧЕН / ОХЛАДЖДАЩ / СУХ / ВЕНТИЛАТОР

1. Включете устройството.

- а) Свържете устройството. Ще издаде звуков сигнал веднъж. Индикаторът за захранване "Н" ще свети.
- б) Натиснете бутона "А", след което устройството ще се включи.
- в) LED диодът показва стайната температура и започва да работи в автоматичен режим.

2. Изберете режима на работа

Натиснете бутона "С", за да изберете желания режим на работа по последователност:

Автоматичен режим "J" -> Режим на охлаждане "К" -> Режим на сушене "L" -> Режим на вентилатор "М"

3. Регулирайте температурата

Температурата може да се настрои в диапазона 15 ° -31 ° С. Натиснете бутона „D“ или „E“, за да увеличите или намалите температурата с 1 ° С чрез еднократно натискане. LED панелът на устройството показва целевата температура за 5 секунди и след това показва стайната температура.

4. Регулирайте скоростта на вентилатора

Натиснете бутона "В", за да изберете желаната скорост на вентилатора, показвана последователно:

Ниска скорост "F" -> Висока скорост G

5. Мощност

Когато натиснете отново бутона "А", устройството ще издаде звук "ди", индикаторът за захранване "Н" ще изгасне и устройството ще спре да работи.

6. Натиснете бутон "I", за да влезете в спящ режим на устройството.

7. Натиснете бутон "N", за да зададете спиране в определен час.

8. Натиснете този бутон "O", за да настроите осцилацията на решетката нагоре-надолу.

Принцип на работа във всеки режим:

**АВТОМАТИЧЕН режим "J":**

След като е избрана операцията "J", сензорът за вътрешна температура работи автоматично и той избира един от долните режими на работа:

- Когато стайната температура е  $\geq 24$  °С, устройството автоматично ще избере режим на охлаждане "К" режим, или:

- Когато стайната температура е  $< 24$  °С, уредът автоматично ще избере режим на висока скорост на вентилатора "М".

**Сух режим "L":**

1. Горещият центробежен вентилатор ще работи с ниска скорост и скоростта не може да се регулира.

2. Компресорът ще спре работа след 8 минути, след това ще започне да работи отново след 6 минути.

3. Устройството приема режим на изсушаване с постоянна температура и допълнителната настройката на температурата не е активна.

**ВНИМАНИЕ:**

Когато работите с устройството в условия на различна влажност, дренажният отвор за охладителя долу (9) трябва да бъде постоянно отворен и да осигурява постоянно оттичане на водата.

**ОХЛАДЖДАЩ режим "К":**

1. Когато стайната температура е по-висока от зададената температура на контролния панел, компресорът стартира работа.

2. Когато стайната температура е по-ниска от зададената температура на контролния панел, компресорът спира и горният вентилатор работи с първоначално зададената скорост.

**Режим на вентилатор "М":**

1. Горният вентилатор ще работи със зададената скорост и компресорът няма да работи.

2. Настройката на температурата не е ефективна.

**Работа на таймера "N":**

1. Натиснете бутона "N", за да настроите времето за автоматично изключване, докато уредът работи.

2. Натиснете бутона "N", за да настроите автоматичното време за включване, когато устройството да е готово.

3. Времето може да се регулира в диапазона от 1 час до 24 часа чрез натискане на бутона "D" (+) или "E" (-).

Операция в спящ режим "I" & функция за заключване за деца:

1. Спящия режим работи, когато устройството е в охлаждащ режим "K".
2. Натиснете бутона "I" в охлаждащ режим "K", след което устройството ще работи в спящ режим и вентилаторът автоматично ще се върти на ниска скорост. Зададената температура ще се увеличи с 1 °C след един час и с 2 °C след два часа. След шест часа уредът ще спре да работи.
3. Натиснете бутона за заключване за деца "I" за три секунди, за да настроите всички останали функции да не могат да се използват. Натиснете за 3 секунди отново, за да изключите функцията за заключване от деца, като междуременно всички останали функции ще могат да се използват отново.

Въртене в режим "O":

Когато устройството е включено, натиснете бутона "O", вертикалната жалюза ще се включи или изключи. Когато е включена, жалюзата може да се люлее нагоре-надолу в рамките на 60 градуса. Натиснете отново бутона "O" и жалюзата ще спре люлеенето.

Забележка:

Основният контролен панел има функция памет, когато устройството е готово за работа, но е спряно. Основния контролен панел може да запомни инициализацията на работен режим. Когато включите уредът, той ще работи в същия режим на работа като последния път. Няма нужда от задаване на работен режим отново. (Това условие не е налично, когато устройството е в режим AUTO (АВТОМАТИЧЕН) "J".)

### ДИСТАНЦИОННО УПРАВЛЕНИЕ

1. Плъзнете задния капак, за да отворите и свалите изолиращата лента на батериите.
2. Поставете батериите в слота, трябва да отговарят на знаците "+" и "-" на дистанционното управление.
3. Ако не използвате за дълго време, извадете батериите.
4. За да предотвратите замърсяването на околната среда, извадете използваните батерии и изхвърлете по безопасен и по подходящ начин.

За да работите с устройството, насочете дистанционното управление към сигналния рецептор . Дистанционното управление ще управлява устройството на разстояние от 5 метра когато сочи към сигналния рецептор на устройството.

### ЗАЩИТНИ УСТРОЙСТВА

Защитното устройство може да изключи и спре уреда в изброените по-долу случаи:

1. В режим на охлаждане: температурата на въздуха в помещенията е над 43 °C (109 °F).
2. В режим на охлаждане: стайната температура е под 15 °C (59 °F).
3. При режим на изсушаване: стайната температура е под 15 °C (59 °F).

Ако устройството работи в режим на охлаждане „K“ или сух режим „L“ с отворена врата или прозорец за дълго време, когато относителната влажност е над 80%, от изхода може да се стичат капки вода.

Защитното устройство ще работи в следните случаи:

1. Рестартиране на устройството веднага след спиране на работата или след промяна на избрания режим, докато работи - в такъв случай трябва да изчакате 3 минути.
2. Ако щепселът е изваден - след рестартиране устройството ще се върне в първоначалния режим, TIMER ON и TIMER OFF - трябва да се настроят отново.

**ЗАБЕЛЕЖКА:** В това устройство е скрито отделение за рециклиране на кондензна вода. Кондензиращата вода отчасти се поддържа рециклирането между кондензатора и водната плоча. Когато нивото на водата се повиши до горното ниво, поплавъчният превключвател и индикаторът за пълна вода (E4) светват, за да напомнят за източване на водата. Моля, прекъснете захранването, преместете уреда на подходящо място, извадете дренажната тапа и източете водата напълно. След източване, инсталирайте отново тапата, или от уредът може да тече вода и да наводни вашата стая.

Ако уредът е поставен в положение, позволяващо изтичане на водата, можете също да свържете дренажна тръба към отвора за източване на водата. Към комплекта се добавя дренажна тръба с вътрешен диаметър 9 мм, външен диаметър 12 мм, материал: PVC.

Отстраняване на неизправности

1) Проблем: Не работи.

Анализ:

- a) може би прекъсвача на предпазителя е изгорял, моля, изчакайте 3 минути и опитайте отново, защитното устройство може да пречи на устройството да работи.
- b) може би батериите в дистанционното управление са изтощени.
- v) може би щепселът не е включен правилно.

2) Проблем: работи само за кратко.

Анализ:

а) ако зададената температура е близка до стайната, можете да намалите зададената температура.

б) може би изходът за въздух е блокиран от препятствие. Отстранете препятствието.

3) Проблем: Работи, но не охлажда.

Анализ:

а) може би вратата или прозорецът са отворени.

б) може би на близко разстояние има друг уред, който нагрява - като радиатор, лампа и т.н.

в) въздушният филтър е замърсен - моля, почистете го.

г) изпускателният отвор на въздуха или този за прием са блокирани.

д) зададената температура е твърде висока.

4) Проблем: Теч на вода по време на преместване.

Анализ:

а) източете кондензатора преди да преместите уреда.

б) за да избегнете изтичане на вода, моля, разположете устройството на равна плоскост.

5) Проблем: Не работи и водата пълна индикатор "Е4"

Анализ:

а) издърпайте гумената тапа за източване на водата.

б) ако често е в това състояние, моля свържете се с квалифициран сервизен техник.

Отстраняване на неизправности.

6) Проблем: Устройството не се стартира.

Анализ:

а) може би не е включено. Ако е така, включете го.

б) може би щепсела или контакта са поведени. Заменете от доставчик на услуги.

в) може би предпазителят е счупен. Сменете предпазителя от доставчика на услуги (спецификация: 3,15A/250VAC).

7) Проблем: Устройството автоматично спира.

Анализ:

а) времето за изключване или зададена температура е достигната. Рестартирайте го или изчакайте автоматичното превключване.

8) Проблем: няма студен въздух в режим COOL "К".

Анализ:

а) стайната температура е по-ниска от зададената температура. Това е нормално състояние, машината ще направи автоматично превключване, докато стайната температура е по-висока от зададената температура.

б) Устройството е включило защита срещу замръзване. Устройството ще се превключи автоматично след като анти-замръзване

защитата приключи.

9) Проблем: Светодиодът показва код за повреда "Е2"

Анализ:

а) сензорът за стайна температура се е повредил. Сменете сензора за стайна температура в оторизиран сервиз.

10) Проблем: Светодиодът показва код за повреда "Е3"

Анализ:

а) сензорът на тръбата за испарения е повреден. Сменете сензора за испарения в оторизиран сервиз.

11) Проблем: Светодиодът показва код за повреда "Е4"

Анализ:

а) предупреждение за пълна вода. Изсипете водата.

## ПОЧИСТВАНЕ И ПОДДРЪЖКА

### Поддръжка на устройството

1. Първо изключете устройството, преди да изключите захранването.

2. Избършете с мека и суха кърпа. Ако уредът е мръсен, за почистване използвайте хладка вода под 40 ° С.

3. Никога не използвайте запалими вещества като бензин или полирац прах за почистване на устройството.

### Поддръжка на въздушния филтър

Необходимо е да почиствате въздушния филтър на всеки 2 седмици, ако устройството работи в изключително прашна заобикаляща среда. Почистете, както следва:

1. Първо спрете устройството, приплъзнете въздушния филтър нагоре (Картина F).

2. Почистете и инсталирайте отново въздушния филтър.

3. Ако замърсяванията са забележими, измийте ги с разтвор на препарат за почистване в хладка вода. След почистване го изсушете на сенчесто и хладно място и след това го преинсталирайте.

### Поддръжка след употреба

1. Ако устройството няма да се използва дълго време, извадете гумената тапа от дренажния отвор

(8) за източване на водата.

2. Включете уреда да работи на режим вентилатор за половин ден през слънчеви дни, за да изсъхне отвътре и се предпази от плесен.
3. Спрете устройството и извадете щепсела на захранващия кабел, след което извадете батериите на дистанционното управление и съхранявайте устройството правилно.
4. Почистете въздушния филтър и го инсталирайте отново.
5. Извадете тръбите за въздух и ги съхранявайте правилно и плътно покрийте отвора.

#### ТЕХНИЧЕСКИ ДАННИ:

Капацитет на охлаждане при BTU: 9 000 BTU / час

Капацитет на охлаждане във ватове: 2 600W

Консумация на енергия (охлаждане) W: 950W

Сила на звука: <= 65dBВнимание, риск от пожар.

НЕ пробивайте или изгаряйте.

Имайте предвид, че охлаждащия агент може да няма мирис. Максималното количество зареждане с охлаждащ агент:

210g. Въздушен поток: 380 м3 / ч

Енергиен клас: A

Таймер: 24 часа

Тегло на охлаждащата течност R290: макс. 200 грама



Внимание, риск от пожар.

НЕ пробивайте или изгаряйте.

Имайте предвид, че охлаждащия агент може да няма мирис. Максималното количество зареждане с охлаждащ агент: 210g.



За да защитите околната си среда: моля, отделете картонените кутии и найлоновите торбички и ги изхвърлете в съответните кошчета за отпадъци. Използваният уред трябва да бъде доставен до специалните пунктове за събиране, които могат да повлияят на околната среда. Не изхвърляйте този уред в обикновен кош за отпадъци.

# camry

Premium



ELECTRIC KETTLE  
CR 1290



ESPRESSO MACHINE  
CR 4410



SANDWICH MAKER  
CR 3054



RETRO RADIO  
CR 1182



AIR CONDITIONER  
CR 7925



FOOD PROCESSOR  
CR 4223



MIXER  
CR 4220



MEAT MINCER  
CR 4812



AIR FRYER OVEN  
CR 6311



BAGLESS VACUUM CLEANER  
CR 7046



AIR DEHUMIDIFIER  
CR 7851



Trimmer  
CR 2921



CERAMIC FAN HEATER  
CR 7732



OIL FILLED RADIATOR  
CR 7812



PORTABLE FRIDGE  
CR 8076



HEATED ANIMAL DEN  
CR 7431

[www.camryhome.eu](http://www.camryhome.eu)

# camry

Premium



ELECTRIC KETTLE  
CR 1292



HAIR DRYER  
CR 2261



TOASTER 2 SLICES  
CR 3217



ELECTRIC GRILL  
CR 3044



PERSONAL BLENDER  
CR 4615



WAFFLE MAKER  
CR 3046



GARMENT STEAMER  
CR 5033



AIR HUMIDIFIER  
CR 7964



GLASS HEATER  
CR 7721



WASHING MACHINE  
CR 8054



OIL FILLED RADIATOR  
CR 7810



HEATING LUNCHBOX  
CR 4483



MOSQUITO KILLER LAMP  
CR 7935



SONIC TOOTHBRUSH  
CR 2173



HEATING UNDERBLANKET  
CR 7430



HAIR DRYER  
CR 2256

[www.camryhome.eu](http://www.camryhome.eu)



# Camry

Premium



VACUUM CLEANER  
CR 7045



OIL FILLED RADIATOR  
CR 7814



Stand Fan  
CR 7306



Electric Kettle  
CR 1169



RETRO RADIO  
CR 1188



HAIR STRAIGHTENER  
CR 2320



FOOT SPA  
CR 2174



ELECTRIC SHAVER  
CR 2925



INTERNET RADIO  
CR 1180



AIR CONDITIONER  
CR 7926



ELECTRIC KETTLE  
CR 1291



TOASTER 2 SLICES  
CR 3215



CONVECTION HEATER  
CR 7724



CERAMIC FAN HEATER  
CR 7772



MOSQUITO KILLER  
CR 7937



ELECTRIC SHAVER  
CR 2927

[www.camryhome.eu](http://www.camryhome.eu)